

MATERIALS AND FINISHES

BODY: BRASS
PLATED TRI-M

CONTACT: BRASS
PLATED SILVER

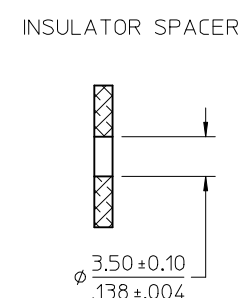
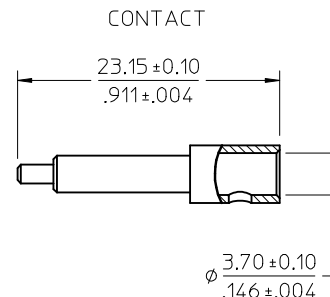
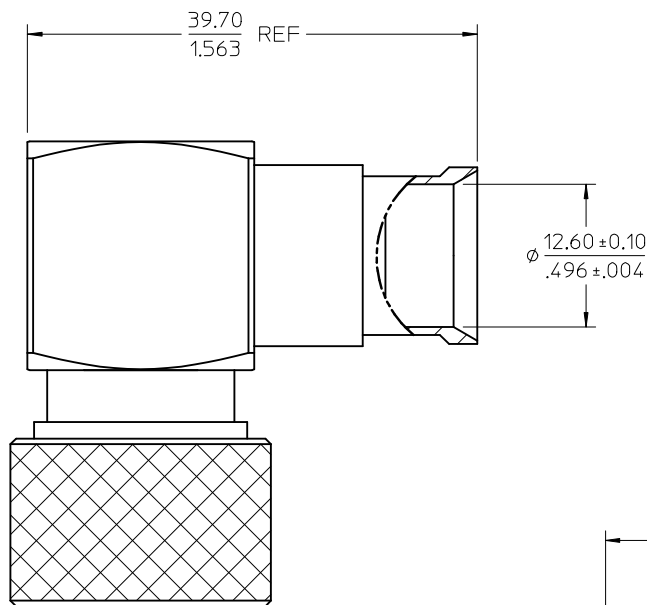
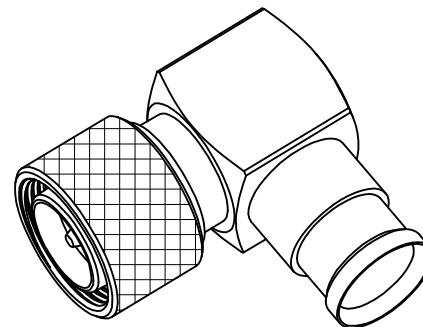
INSULATOR: TEFLON

COUPLING NUT: BRASS
PLATED NICKEL

O-RING: SILICONE RUBBER

PERFORMANCE REQUIREMENTS:

FREQUENCY RANGE: 0-6GHz
IMPEDANCE: 50 OHM
WITHSTAND VOLTAGE(AC): 2500V @0,5mA
VSWR: ≤1.10(0-3GHz)
PIM3(2x20W): ≤-160dBc@1800MHz
WATER-PROOF: IP68 WHEN MATED



4.3-10 PLUG
INTERFACE

73162-6182	ONE PIECE PER CARTON	NO
73162-6181	ONE PIECE PER CARTON	YES
73162-6180	BLANK	NO
PART NO.	PACKAGING	DUST CAP

IEC61169-54	INTERFACE
SPECIFICATION	DESCRIPTION

CHG DRAWING UPDATE
39.70 WAS 41.20, ADD
NEW PN. 73162-6182

EC NO: URF2016-0700
DRAWN: YHUANG11 2017/01/13
CHKD:
APPR: MYE08 2017/03/03

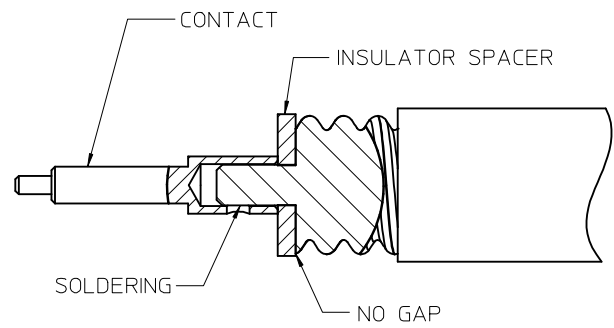
REV	DESCRIPTION
A2	

QUALITY SYMBOLS	
	=0
	=0
	=0
GENERAL TOLERANCES (UNLESS SPECIFIED)	
	mm
	INCH
4 PLACES	± --- ± ---
3 PLACES	± --- ± ---
2 PLACES	± --- ± ---
1 PLACE	± --- ± ---
0 PLACE	± --- ± ---
ANGULAR ± 2 °	
DRAFT WHERE APPLICABLE MUST REMAIN WITHIN DIMENSIONS	

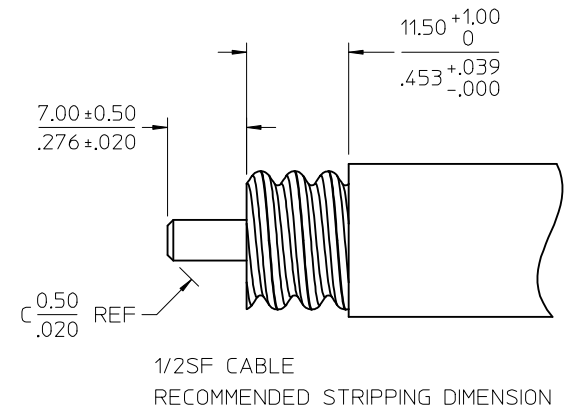
DIMENSION STYLE	
MM/IN	
DRAWN BY	DATE
YHUANG11	2015/12/04
CHECKED BY	DATE
MXU11	2015/12/04
APPROVED BY	DATE
MYE08	2016/02/29
MATERIAL NO.	
SEE TABLE	

SCALE	DESIGN UNITS	THIRD ANGLE PROJECTION
	METRIC	
TITLE		
4.3-10 PLUG R/A, 50 OHM FOR 1/2SF CA, SOLDERING 4.3-10-R/A-PS		
molex		
MATERIAL NO.	DOCUMENT NO.	SHEET NO.
SEE TABLE	SD-73162-618	1 OF 2
THIS DRAWING CONTAINS INFORMATION THAT IS PROPRIETARY TO MOLEX INCORPORATED AND SHOULD NOT BE USED WITHOUT WRITTEN PERMISSION		

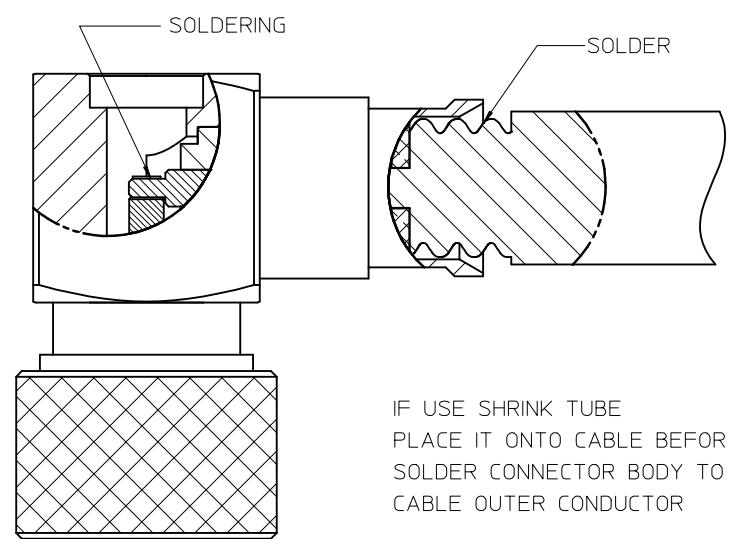
STEP 2



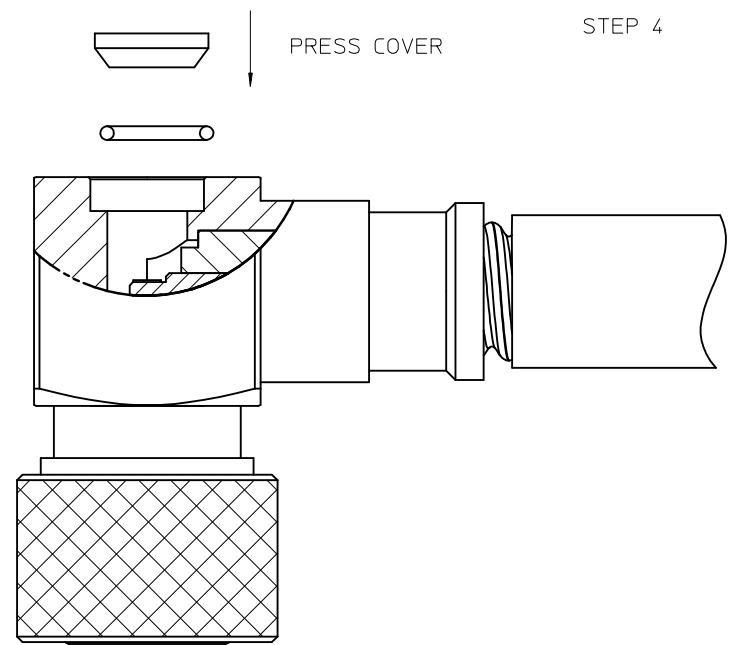
STEP 1



STEP 3



STEP 4



CHG: SEE SHEET 1 EC NO: URF2016-0700 DRAWN: YHUANG11 2017/01/13 CHKD: APPR: MYE08 2017/03/03	DESCRIPTION	QUALITY SYMBOLS	GENERAL TOLERANCES (UNLESS SPECIFIED)	DIMENSION STYLE	SCALE	DESIGN UNITS	THIRD ANGLE PROJECTION															
		$\nabla = 0$ $\nabla = 0$ $\nabla = 0$	<table border="1"> <tr> <th></th> <th>mm</th> <th>INCH</th> </tr> <tr> <td>4 PLACES</td> <td>± ---</td> <td>± ---</td> </tr> <tr> <td>3 PLACES</td> <td>± ---</td> <td>± ---</td> </tr> <tr> <td>2 PLACES</td> <td>± ---</td> <td>± ---</td> </tr> <tr> <td>1 PLACE</td> <td>± ---</td> <td>± ---</td> </tr> <tr> <td>0 PLACE</td> <td>± ---</td> <td>± ---</td> </tr> </table>		mm	INCH	4 PLACES	± ---	± ---	3 PLACES	± ---	± ---	2 PLACES	± ---	± ---	1 PLACE	± ---	± ---	0 PLACE	± ---	± ---	MM/IN
	mm	INCH																				
4 PLACES	± ---	± ---																				
3 PLACES	± ---	± ---																				
2 PLACES	± ---	± ---																				
1 PLACE	± ---	± ---																				
0 PLACE	± ---	± ---																				
A2	REV	ANGULAR ± 2°	DRAFT WHERE APPLICABLE MUST REMAIN WITHIN DIMENSIONS	DRAWN BY: YHUANG11 CHECKED BY: MXU11 APPROVED BY: MYE08	DATE: 2015/12/04 DATE: 2015/12/04 DATE: 2016/02/29	TITLE: 4.3-10 PLUG R/A, 50 OHM FOR 1/2SF CA, SOLDERING 4.3-10-R/A-PS																
				SEE TABLE		DOCUMENT NO. SD-73162-618	SHEET NO. 2 OF 2															
THIS DRAWING CONTAINS INFORMATION THAT IS PROPRIETARY TO MOLEX INCORPORATED AND SHOULD NOT BE USED WITHOUT WRITTEN PERMISSION																						