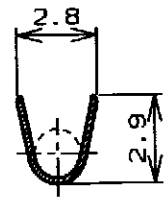
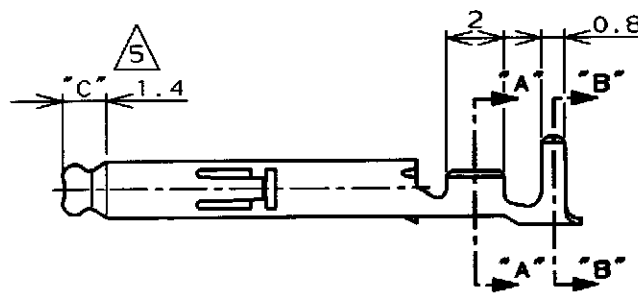
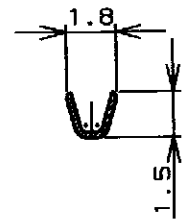
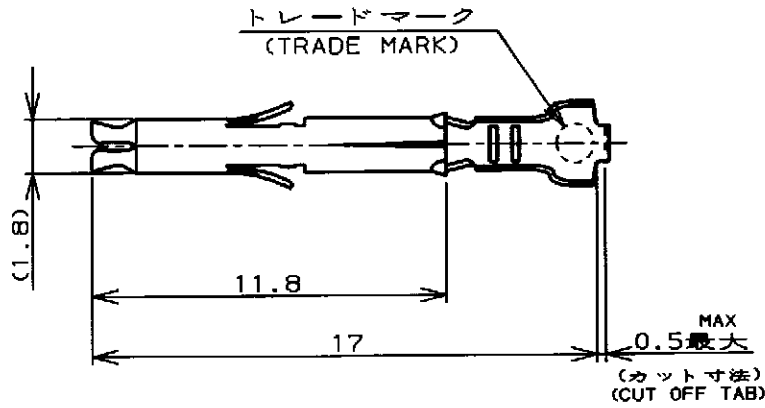


LOC	DIST	REVISIONS				DATE	DWN	APVD
J		P	LTR	DESCRIPTION	ECO			
			C		REVISIED PER ECR-20-100815	01DEC2020	BDA	SW
			C1		REVISIED PER ECR-21-102346	29APR2021	JP	VS



NOTES;

1. APPLICABLE HOUSING : CAP AND PLUG.
2. PRODUCT SPECIFICATION 108-5138
3. APPLICATION SPECIFICATION 114-5050
4. INSTRUCTION SHEET IS-105J
5. SELECTIVE GOLD PLATED AREA "C"  
0.0004mm MIN THICK OVER Ni PLATE  
ON INSIDE SURFACE

	錫めつき付・機青銅 (PRE-TIN PHOZ BRO)	-4	-4
	金めつき・黄銅 (GOLD PLATE・BRASS) ⑤	-3	-3
170359, 170360 170363, 170364	錫めつき付・黄銅 (PRE-TIN BRASS)	170361-1	170365-1
嵌合相手型番 (MATING P/N)	材料・仕上 (MATERIAL・FINISH)	連鎖状端子型番 (STRIP P/N)	型番 (P/N)

WIRE RANGE 抱合電線断面積 0.12~0.35mm <sup>2</sup> (AWG #26~#22)	INSULATION DIA 被覆外径 1.2~1.75mm
---	--------------------------------------

THIS DRAWING IS UNPUBLISHED.

BY

© COPYRIGHT

DIMENSIONS 単位 概 mm	DWN <i>T. Yamamoto</i> 11 JUN 98
TOLERANCES UNLESS OTHERWISE SPECIFIED: 一般公差 $\pm 0.4, \pm 1^{\circ}0'$	CHK <i>M. Sluis</i> 15 JUN 98
	APVD <i>M. Sluis</i> 15 JUN 98
	PRODUCT SPEC 製品規格 注記参照 (SEE NOTES) ②
	APPLICATION SPEC 取付適用規格 注記参照 (SEE NOTES) ③
	WEIGHT

MATERIAL 表参照 材料 (SEE TABLE) 0.2t	FINISH 表参照 仕上 (SEE TABLE)
TE Connectivity	
NAME 名称 ミニユニバーサルメイトンロックソケットコンタクトばら状端子 MINI UNIVERSAL MATE-N-LOK SOCKET CONTACT LOOSE PIECE	
SIZE	CAGE CODE
A4	00779
DRAWING NO 番号 C-170365	
SCALE 尺度	SHEET 1 OF 1 REV C1

CUSTOMER DRAWING

参考 図面