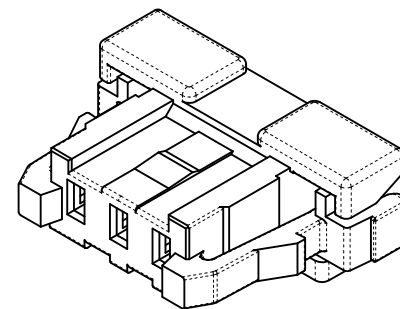
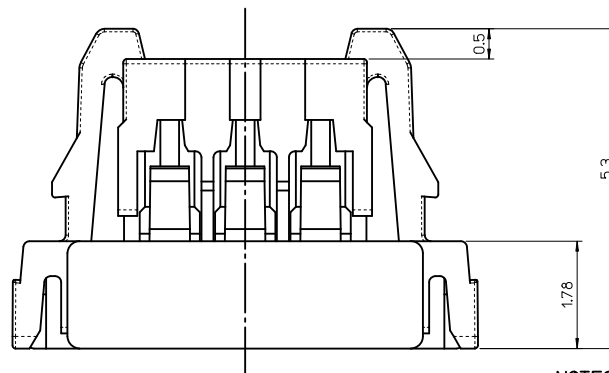
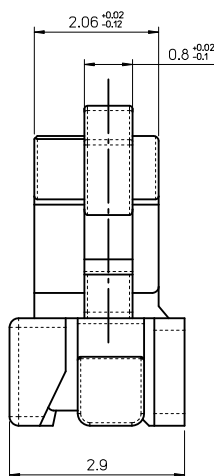
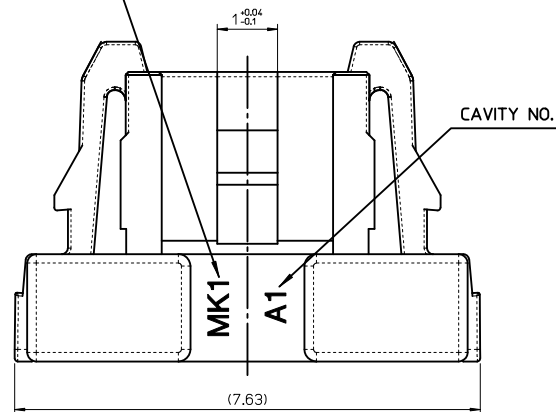


MATED CONDITION
(REFERENCE)

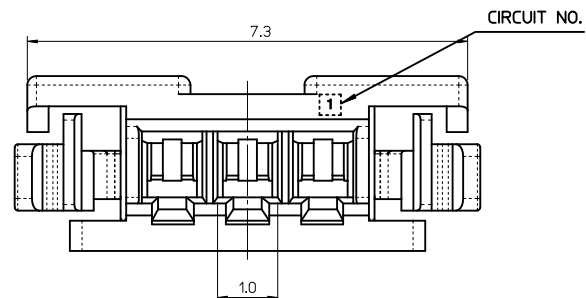


TRADE MARK



NOTES.

1. MATED WITH : 104130-0310
2. MATERIAL :
LCP E130i, GLASS FILLED, UL94V-0
HALOGEN FREE, COLOR OF NATURAL
3. APPLICABLE TERMINAL : 104539-8102



RELEASED EC NO: KOR2012-0059 DRWN: JHPARK01 2011/12/19 CH'KD: SHCHU 2011/12/19 APPR: YUNSIKKIM 2011/12/29	DESCRIPTION REV A	QUALITY SYMBOLS ▽=0 ▽=0	GENERAL TOLERANCES (UNLESS SPECIFIED)		DIMENSION STYLE MM ONLY		SCALE	DESIGN UNITS	THIRD ANGLE PROJECTION		
				mm	INCH	DRAWN BY	DATE	TITLE		METRIC	1.25MM WTB CONN. HOUSING 3P (POSITIVE LOCKING)
			4 PLACES	± ---	± ---	JHPARK01	2011/12/19				
			3 PLACES	± ---	± ---	CHECKED BY	DATE			DOCUMENT NO.	SHEET NO.
2 PLACES	± 0.15	± ---	SHCHU	2011/12/19		1041310300	SD-104131-001	1 OF 01			
1 PLACE	± 0.20	± ---	APPROVED BY	DATE							
			ANGULAR ± 1°		MATERIAL NO.						
			DRAFT WHERE APPLICABLE MUST REMAIN WITHIN DIMENSIONS		SIZE		THIS DRAWING CONTAINS INFORMATION THAT IS PROPRIETARY TO MOLEX INCORPORATED AND SHOULD NOT BE USED WITHOUT WRITTEN PERMISSION				