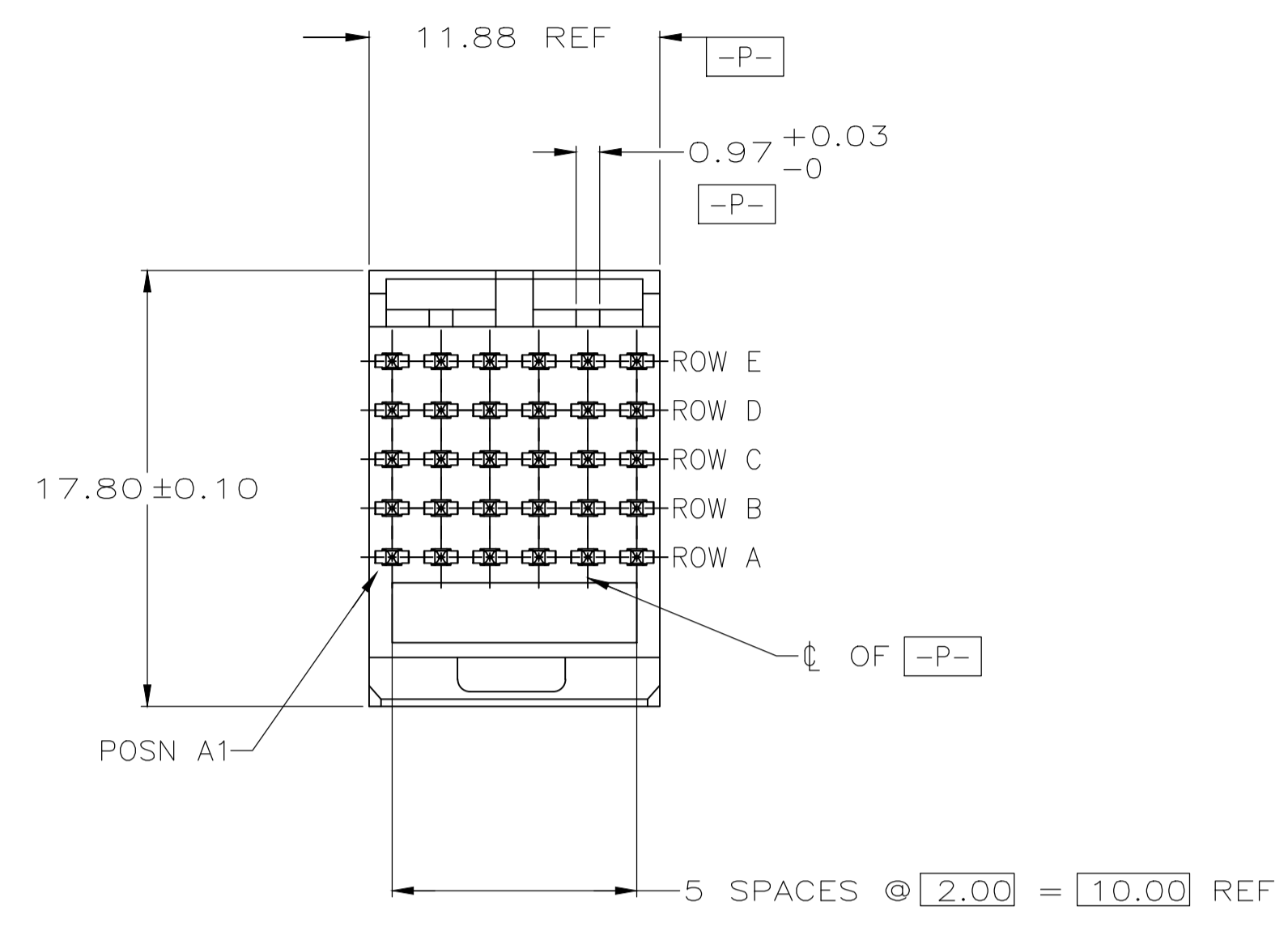
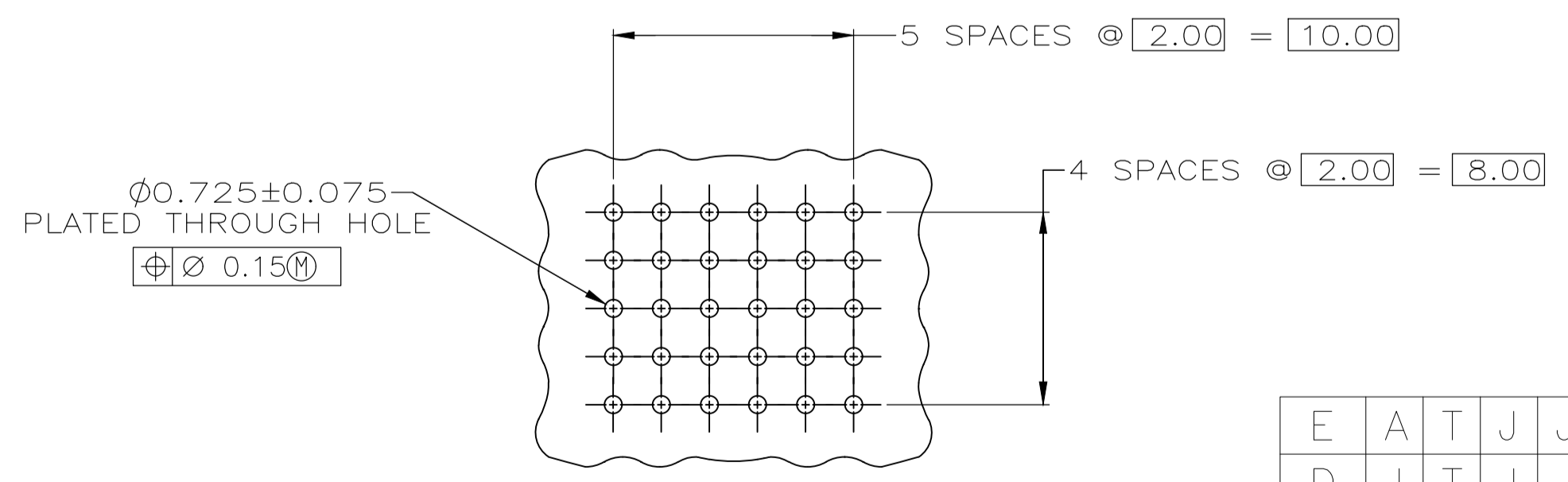
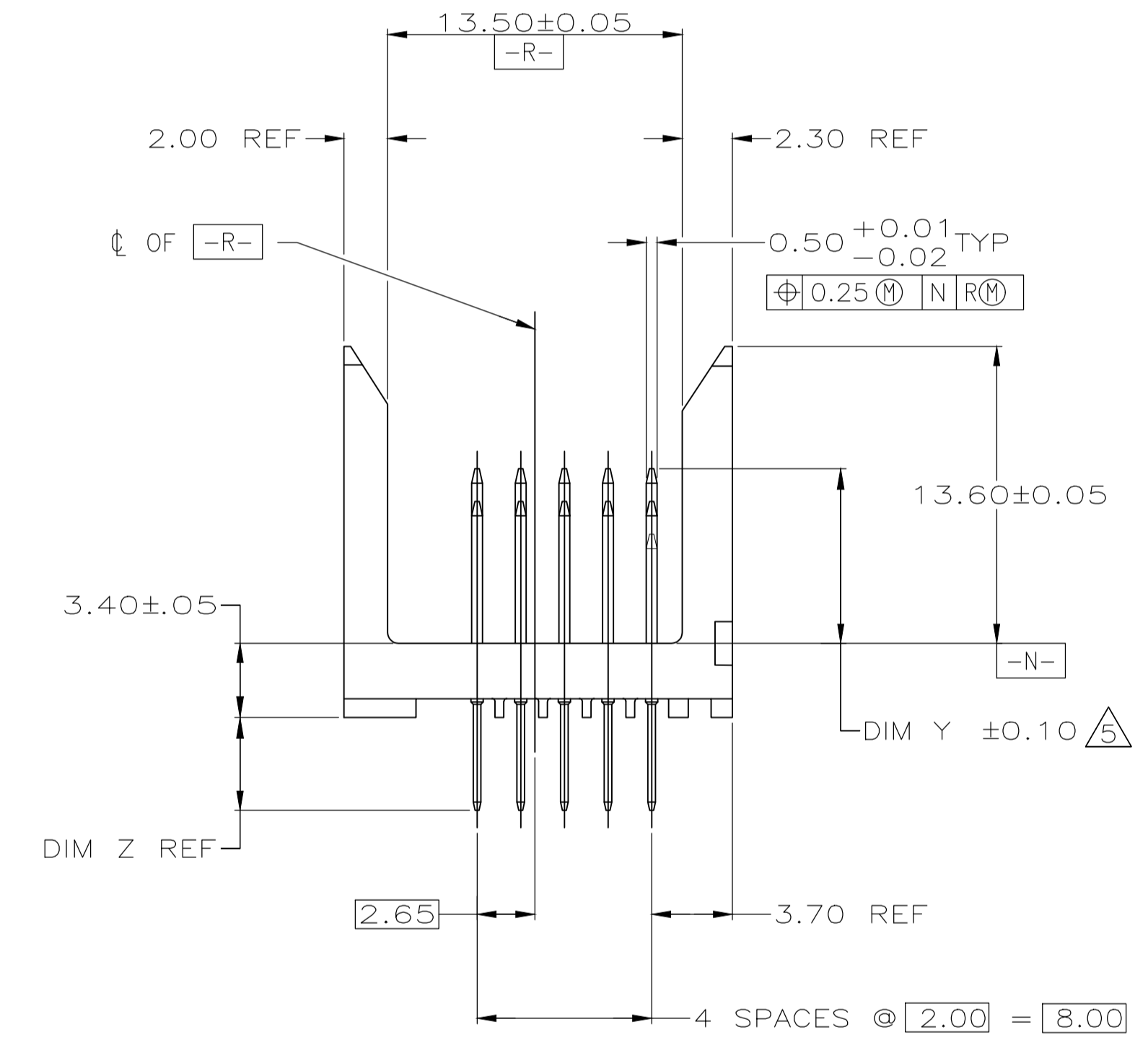
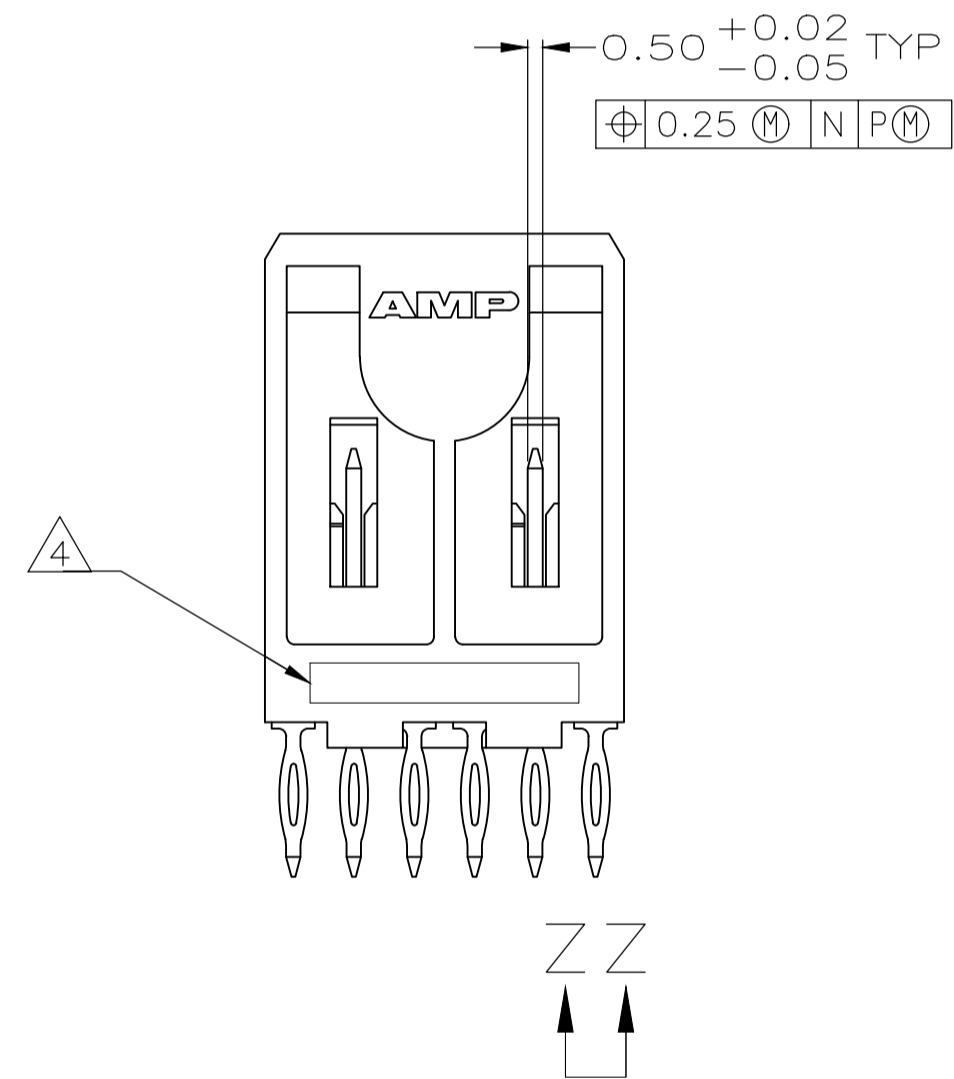


REVISIONS				
P	LTR	DESCRIPTION	DATE	BY
B		REVISE PER ECO-20-013368	22SEP20	RZ HL



- △ HOUSING MATERIAL: LIQUID CRYSTAL POLYMER. COLOR: NATURAL.
- △ CONTACT MATERIAL: PHOSPHOR BRONZE.
- △ CONTACT FINISH:(B)
 UNDERPLATE (ENTIRE CONTACT):
 0.00127 MIN NICKEL PER SAE-AMS-QQ-N-290
 ON MATING SURFACES:
 CONFORMS TO ALL TESTING SPECIFIED FOR TELCORDIA UNCONTROLLED ENVIRONMENT.
 ON LEADS:
 0.0006 MIN MATTE TIN PER ASTM B 545 OVER UNDERPLATE.
 LUBRICATION (MIN MATING SURFACES):
 SURFACE CONDITIONER AFTER PLATING.
- △ PART MARKING LOCATED APPROXIMATELY AS SHOWN.
- △ DIMENSION APPLIES WHEN SEATED ON PRINTED CIRCUIT BOARD.



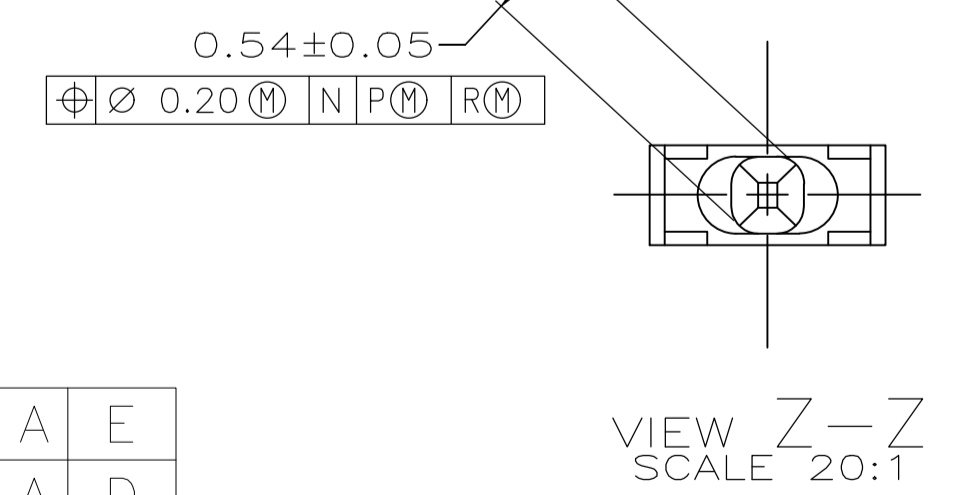
RECOMMENDED CIRCUIT PATTERN (COMPONENT SIDE)

E	A	T	J	J	J	J	E
D	J	T	J	J	J	J	D
C	J	T	J	J	J	J	C
B	T	T	J	J	J	J	B
A	T	T	J	J	J	J	A
ROW	1	2	3	4	5	6	ROW

5223061-1
CONTACT LOAD CHART

E	A	A	A	A	A	A	E
D	A	A	A	A	A	A	D
C	J	J	J	J	J	J	C
B	A	A	A	A	A	A	B
A	A	A	A	A	A	A	A
ROW	1	2	3	4	5	6	ROW

5223061-2
CONTACT LOAD CHART



VIEW Z-Z
SCALE 20:1

T	3	8.00	4.25
A	2	5.00	4.25
J	1	6.50	4.25
CONTACT LETTER	ITEM NUMBER	DIM Y	DIM Z

THIS DRAWING IS A CONTROLLED DOCUMENT.

DIMENSIONS: mm	TOLERANCES UNLESS OTHERWISE SPECIFIED:	DIN B1 MCMMASTER 130EC04	130EC04
0 PLC ± -	1 PLC ± -	DRW R.WERTZ	130EC04
2 PLC ± 0.13	3 PLC ± -	APP'D R.WERTZ	130EC04
4 PLC ± -	ANGLES ± -	NAME	
MATERIAL	FINISH	SIZE	CAGE CODE
		WEIGHT	DRAWING NO
		0.000000	A1 00779
		CUSTOMER DRAWING	SCALE 4:1 SHEET 1 OF 1 REV B

5223061-2
PIN ASSY,FB,
SIGNAL,VERTICAL,5 ROW,30 POSITION,
SEQUENCED,PRESS FIT LEADS

STE TE Connectivity