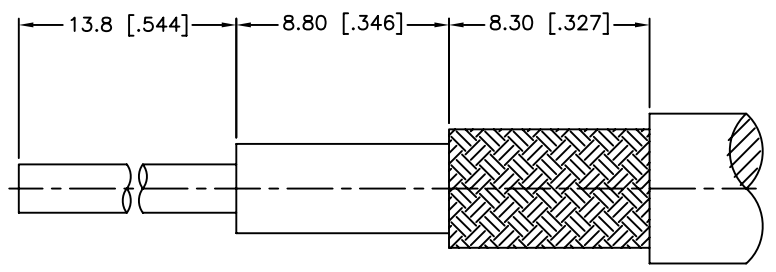
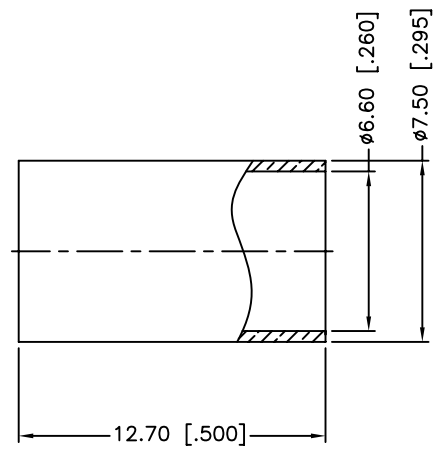
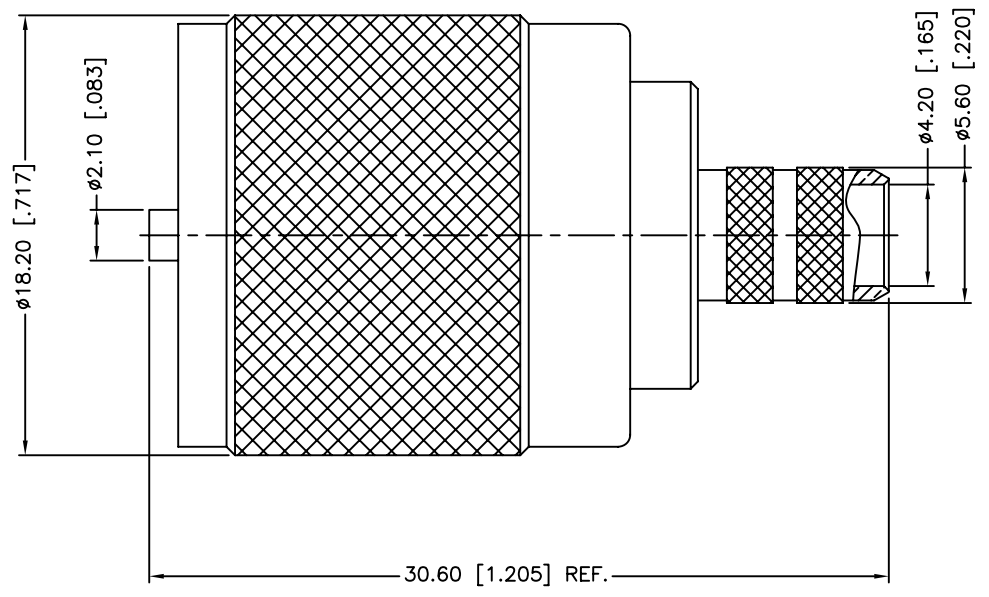


REV.	DATE	ECR NO.	DESCRIPTION
B	10/22/10	XXXXX	MODIFY THE MATERIAL OF ITEM 3



RECOMMENDED
CABLE STRIPPING DIM'S



1. CRIMPED FERRULE
HEX CRIMP SIZE .255"
2. CRIMPED CONTACT PIN
HEX CRIMP SIZE .068"

DESCRIPTION	MATERIAL	FINISH	QTY
5 FERRULE	BRASS	NICKEL	1
4 CONTACT PIN	BRASS	GOLD	1
3 INSULATOR	PHENOLIC	YELLOW	1
2 BODY	BRASS	NICKEL	1
1 SHELL	BRASS	NICKEL	1

UNLESS OTHERWISE SPECIFIED DIMENSIONS ARE IN MILLIMETERS. DIMENSIONS IN [] ARE IN INCHES AND FOR CUSTOMER REFERENCE ONLY.

UNLESS OTHERWISE SPECIFIED TOLERANCES FOR MILLIMETERS ARE:
0.5 - 8mm ± 0.20mm
8 - 30mm ± 0.40mm
30 - 120mm ± 0.50mm

UNLESS OTHERWISE SPECIFIED TOLERANCES FOR INCHES ARE:
.020 - .315 ± 0.007"
.315 - 1.180 ± 0.015"
1.180 - 4.724 ± 0.020"

DO NOT SCALE DRAWING

APPROVALS		DATE
DRAWN	M.ZHANG	10/22/10
CHECKED		
ISSUED		
SHEET	1 OF 1	
CAD FILE	C:/CONNEX/182115.DWG	

Amphenol Connex

PART DESCRIPTION
**UHF CRIMP PLUG
(FOR RG-8X, LMR240 CABLE)**

PART NO. **182115**

DWG. NO.	182115.DWG	REV.	B	SIZE	A	SCALE	NA
----------	------------	------	---	------	---	-------	----