



FEATURES:

- RoHS compliant
- 24 Pin DIP Package
- Wide 4:1 input range
- High efficiency up to 85%
- Operating temperature -40 to + 85°C
- Input / Output Isolation 1500VDC
- Pin compatible with multiple manufacturers
- Continuous short circuit protection

Models Single output



| Model | Input Voltage (V) | Output Voltage (V) | Output Current max (mA) | Isolation (VDC) | Max Capacitive Load(uF) | Efficiency (%) |
|----------------|-------------------|--------------------|-------------------------|-----------------|-------------------------|----------------|
| AM6TW-2403S-RZ | 9-36 | 3.3 | 1400 | 1500 | 1000 | 76 |
| AM6TW-2405S-RZ | 9-36 | 5 | 1200 | 1500 | 1000 | 80 |
| AM6TW-2407S-RZ | 9-36 | 7.2 | 833 | 1500 | 330 | 82 |
| AM6TW-2409S-RZ | 9-36 | 9 | 666 | 1500 | 220 | 83 |
| AM6TW-2412S-RZ | 9-36 | 12 | 500 | 1500 | 220 | 83 |
| AM6TW-2415S-RZ | 9-36 | 15 | 400 | 1500 | 220 | 83 |
| AM6TW-2418S-RZ | 9-36 | 18 | 333 | 1500 | 47 | 82 |
| AM6TW-2424S-RZ | 9-36 | 24 | 250 | 1500 | 47 | 82 |
| AM6TW-4803S-RZ | 18-72 | 3.3 | 1400 | 1500 | 1000 | 76 |
| AM6TW-4805S-RZ | 18-72 | 5 | 1200 | 1500 | 1000 | 80 |
| AM6TW-4807S-RZ | 18-72 | 7.2 | 833 | 1500 | 470 | 80 |
| AM6TW-4809S-RZ | 18-72 | 9 | 666 | 1500 | 470 | 82 |
| AM6TW-4812S-RZ | 18-72 | 12 | 500 | 1500 | 470 | 83 |
| AM6TW-4815S-RZ | 18-72 | 15 | 400 | 1500 | 100 | 84 |
| AM6TW-4818S-RZ | 18-72 | 18 | 333 | 1500 | 10 | 83 |
| AM6TW-4824S-RZ | 18-72 | 24 | 250 | 1500 | 10 | 83 |

Models Dual output

| Model | Input Voltage (V) | Output Voltage (V) | Output Current max (mA) | Isolation (VDC) | Max Capacitive Load(uF) | Efficiency (%) |
|----------------|-------------------|--------------------|-------------------------|-----------------|-------------------------|----------------|
| AM6TW-2403D-RZ | 9-36 | ±3.3 | ±909 | 1500 | ±470 | 74 |
| AM6TW-2405D-RZ | 9-36 | ±5 | ±600 | 1500 | ±470 | 80 |
| AM6TW-2407D-RZ | 9-36 | ±7.2 | ±416 | 1500 | ±470 | 82 |
| AM6TW-2409D-RZ | 9-36 | ±9 | ±333 | 1500 | ±470 | 81 |
| AM6TW-2412D-RZ | 9-36 | ±12 | ±250 | 1500 | ±330 | 83 |
| AM6TW-2415D-RZ | 9-36 | ±15 | ±200 | 1500 | ±100 | 82 |
| AM6TW-2418D-RZ | 9-36 | ±18 | ±166 | 1500 | ±10 | 82 |
| AM6TW-2424D-RZ | 9-36 | ±24 | ±125 | 1500 | ±10 | 81 |
| AM6TW-4803D-RZ | 18-72 | ±3.3 | ±909 | 1500 | ±330 | 77 |
| AM6TW-4805D-RZ | 18-72 | ±5 | ±600 | 1500 | ±330 | 79 |
| AM6TW-4807D-RZ | 18-72 | ±7.2 | ±416 | 1500 | ±220 | 80 |
| AM6TW-4809D-RZ | 18-72 | ±9 | ±333 | 1500 | ±220 | 82 |
| AM6TW-4812D-RZ | 18-72 | ±12 | ±250 | 1500 | ±220 | 82 |
| AM6TW-4815D-RZ | 18-72 | ±15 | ±200 | 1500 | ±47 | 84 |
| AM6TW-4818D-RZ | 18-72 | ±18 | ±166 | 1500 | ±22 | 80 |
| AM6TW-4824D-RZ | 18-72 | ±24 | ±125 | 1500 | ±22 | 81 |

Input Specifications

| Parameters | Nominal | Typical | Maximum | Units |
|----------------------------------|----------------|---------------|---------|--------|
| Voltage range | 24 48 | 9-36 18-72 | | VDC |
| Filter | π (Pi) Network | | | |
| Input Reflected ripple current * | | 35 | | mA p-p |

Input Specifications (continued)

| Parameters | Nominal | Typical | Maximum | Units |
|-------------------------|------------------|--------------------|---------|-------|
| Absolute Maximum Rating | 24 Vin 48 Vin | -0.7-40 -0.7-80 | | VDC |
| Peak Input Voltage time | | 100 | | ms |

* The input reflected ripple current should be measured with connected 12μH inductor and a 47μF capacitor.

Isolation Specifications

| Parameters | Conditions | Typical | Rated | Units |
|----------------------------|------------|---------|-------|-------|
| Tested I/O voltage | 60 sec | | 1500 | VDC |
| Tested case/Input & Output | 60 sec | | 1000 | VDC |
| Resistance | | > 1000 | | MOhm |
| Capacitance | | 500 | | pF |

Output Specifications

| Parameters | Conditions | Typical | Maximum | Units |
|--------------------------|---------------------|---------------|---------|--------|
| Voltage accuracy | | ±1 | | % |
| Short Circuit protection | | Continuous | | |
| Short circuit restart | | Auto Recovery | | |
| Line voltage regulation | | ±0.5 | | % |
| Load voltage regulation | 3.3/±3.3Vout models | ±1.5 | | % |
| | Other models | ±0.5 | | % |
| Temperature coefficient | | ±0.02 | | %/°C |
| Ripple & Noise* | At 20MHz Bandwidth | 60 | | mV p-p |

* Measured with a 1μF CC.

General Specifications

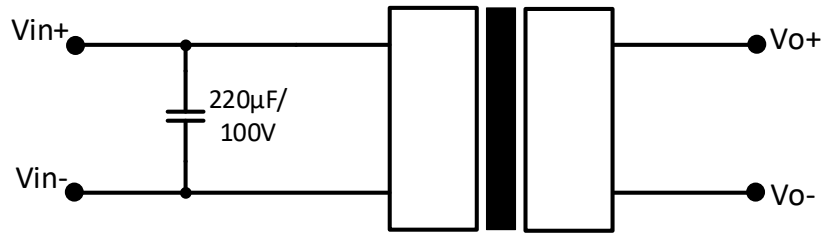
| Parameters | Conditions | Typical | Maximum | Units |
|------------------------|-----------------------------------|---------------------------------------------------------|---------|-------|
| Switching frequency | 100% load | 266 | | KHz |
| Operating temperature | Full Load without Derating | -40 to +85 | | °C |
| Storage temperature | | -40 to +125 | | °C |
| Max Case temperature | | | +100 | °C |
| Cooling | | Free air convection | | |
| Humidity | | | 95 | % |
| Case material | | Nickel coated copper | | |
| Weight | | 17 | | g |
| Dimensions (L x W x H) | Tolerance ±0.5 mm or ±0.02 inches | 1.25 x 0.8 x 0.4inches (31.75 x 20.32 x 10.16mm) | | |
| MTBF | | >1 121 000 hrs (MIL-HDBK -217F, Ground Benign, t=+25°C) | | |

NOTE: All specifications in this datasheet are measured at an ambient temperature of 25°C, humidity<75%, nominal input voltage and at rated output load unless otherwise specified.

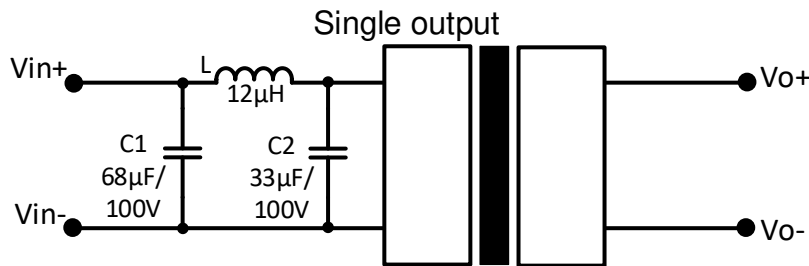
Safety Specifications

| Parameters | |
|-----------------|-------------------------------------------------------------------|
| Agency Approval | CE |
| Standards | Designed to meet IEC/EN/UL60950-1, 62368-1 |
| | EN55032 Class A with recommended circuit |
| | IEC61000-4-2, Perf. Criteria A |
| | IEC61000-4-3, Perf. Criteria A |
| | IEC61000-4-4, Perf. Criteria A |
| | IEC61000-4-5, Perf. Criteria A (external 220uF/100V cap required) |
| | IEC61000-4-6, Perf. Criteria A |
| | IEC61000-4-8, Perf. Criteria A |

Recommended Circuits
Surge



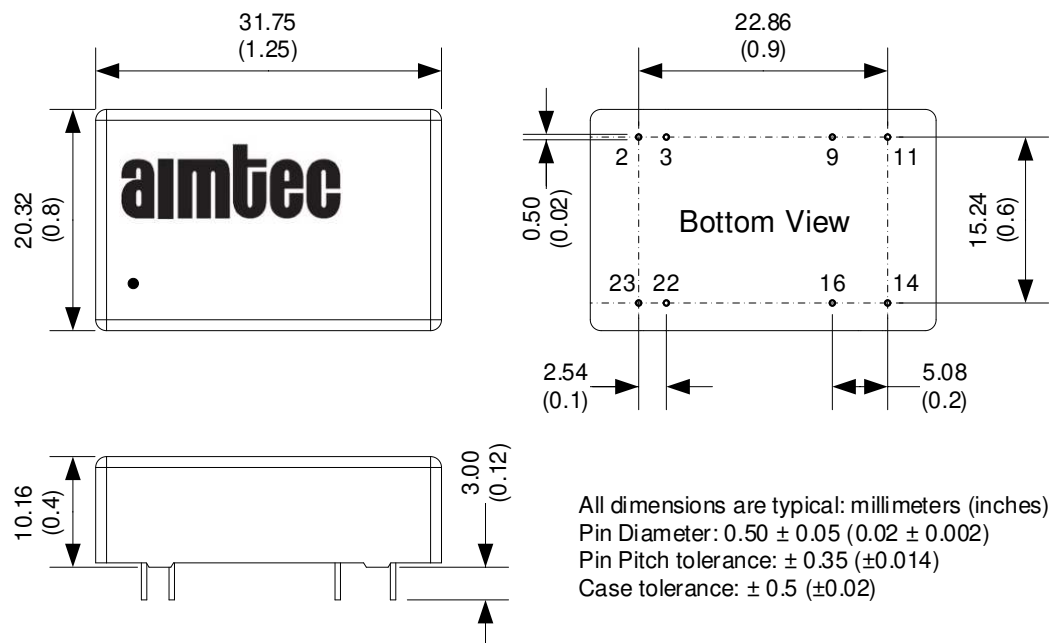
EMI



Pin Out Specifications

| Pin | Single | Dual |
|-----|-----------|-----------|
| 2 | -V Input | -V Input |
| 3 | -V Input | -V Input |
| 9 | No pin | Common |
| 11 | N.C. | -V Output |
| 14 | +V Output | +V Output |
| 16 | -V Output | Common |
| 22 | +V Input | +V Input |
| 23 | +V Input | +V Input |

Dimensions



NOTE: 1. Datasheets are updated as needed and as such, specifications are subject to change without notice. Once printed or downloaded, datasheets are no longer controlled by Aimtec; refer to www.aimtec.com for the most current product specifications. 2. Product labels shown, including safety agency certifications on labels, may vary based on the date manufactured. 3. Mechanical drawings and specifications are for reference only. 4. All specifications are measured at an ambient temperature of 25°C, humidity < 75%, nominal input voltage and at rated output load unless otherwise specified. 5. Aimtec may not have conducted destructive testing or chemical analysis on all internal components and chemicals at the time of publishing this document. CAS numbers and other limited information are considered proprietary and may not be available for release. 6. This product is not designed for use in critical life support systems, equipment used in hazardous environments, nuclear control systems or other such applications which necessitate specific safety and regulatory standards other than the ones listed in this datasheet. 7. Warranty is in accordance with Aimtec's standard Terms of Sale available at www.aimtec.com.