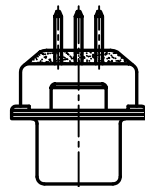
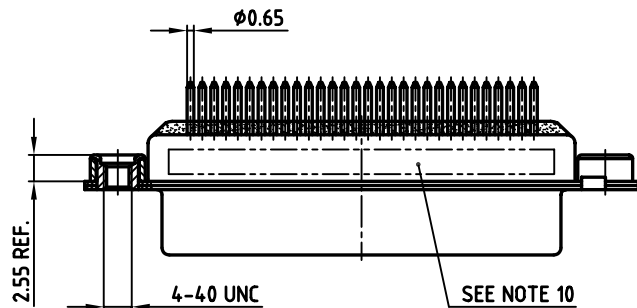
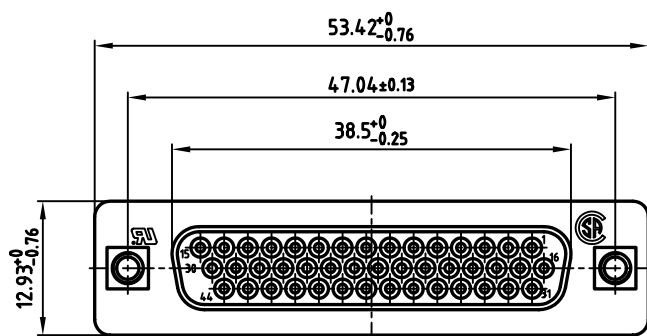
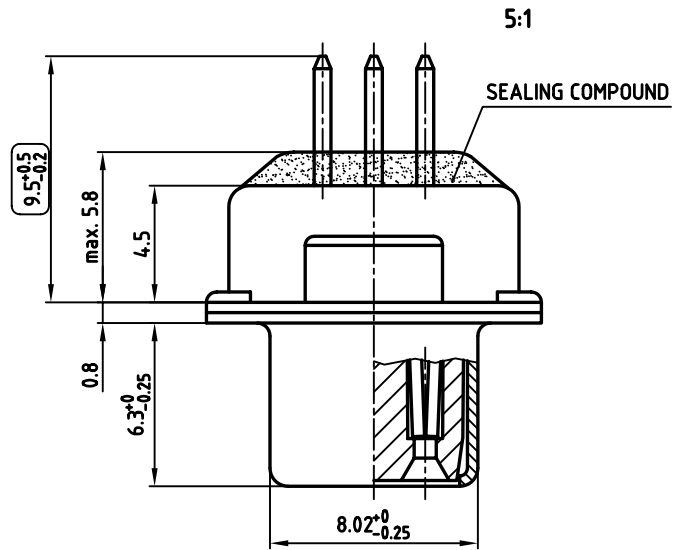


used for: D-SUB HD FILTER



NOTES:

1. METALSHELLS: STEEL; min. 320µ" TIN
2. INSULATORS: PBT GF UL 94 V-0, BLACK
3. CONTACTS: COPPER ALLOY
PLATING: 8µ" HARD GOLD OVER min. 50µ" NICKEL
4. THREADED INSERT: COPPER ALLOY; min. 200µ" TIN over 80µ" NICKEL
5. COLLAR: COPPER ALLOY; min. 200µ" TIN over 80µ" NICKEL
6. P.C.B. HOLE DRILLINGS ON DRAWING NO.: 16V11H6B
7. CAPACITANCE: SEE TABLE
8. DIELECTRIC WITHSTANDING VOLTAGE: 300V DC
9. MAXIMUM TORQUE VALUE FOR THREAD: 6" LBS
10. CONNECTOR IS PART MARKED: PART-NO. CONEC Y/WW
11. = CHECK DIMENSION

| CAPACITANCE | PART NO. |
|-------------|------------|
| 180pF ±20% | 242A27440X |
| 370pF ±20% | 242A18080X |
| 830pF ±20% | 242A18120X |



APPROVAL * FREIGABE * DEBLOCAGE * AUTORIZACION * APPROVAL

CUSTOMER APPROVAL DATE:

NAME: TITLE:

COMPANY NAME:

APPROVAL * FREIGABE * DEBLOCAGE * AUTORIZACION * APPROVAL

THIS DRAWING MAY NOT BE COPIED OR REPRODUCED IN ANY WAY, AND MAY NOT BE PASSED ON TO A THIRD PARTY, WITHOUT WRITTEN PERMISSION. OWNERSHIP AND COPYRIGHT OF CONEC GmbH DO NOT ALTER CAD DRAWING BY HAND

| rev. | description | date | name |
|------|-------------|------|------|
| | | | |
| | | | |
| | | | |
| | | | |
| | | | |
| | | | |
| | | | |
| | | | |
| | | | |
| | | | |

| | | | |
|--------------------|------------|--------------|---|
| tolerance | | scale: | 2:1 (5:1) |
| | dim. in mm | material: | SEE NOTES |
| 2003 | date | name | D-SUB HD FILTER FEMALE 44pos. SOLDER PIN STRAIGHT with threaded insert |
| drawn | 16.09. | Lehmenkühler | |
| appd. | 19.09. | Mickenbecker | |
| norm | DIN 41652 | | |
| d-old | | | dwg no: AutoCAD 2000 |
| | | | DIN-A |
| | | | 3 |
| part no: SEE TABLE | | | sh: 1/1 |

| | | |
|----------|--------------|---------|
| dwg no: | AutoCAD 2000 | DIN-A |
| | 24K1A442 | 3 |
| part no: | SEE TABLE | sh: 1/1 |