



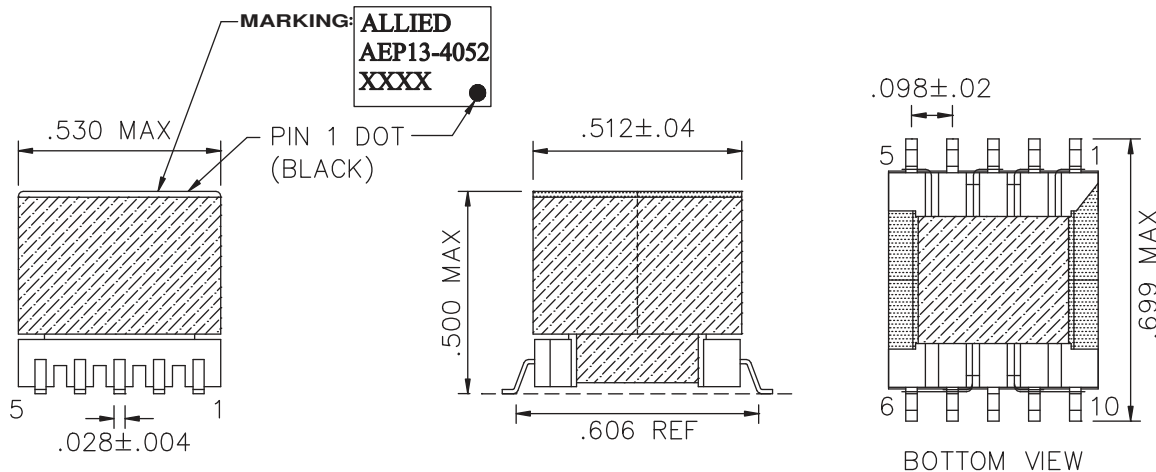
- Operating temperature range: -40°C to +125°C
- EP13 Package in SMD
- Saturation Current: 2.4A (20% roll off from initial)

Electrical Specifications @25°C			
Inductance 10KHz,100mV (3 - 5)	Leakage Inductance 100KHz/100mV (3 - 5) (shorted Pin 1,2,6,7,9,10)	Turns Ratio (3 - 5) : (2 - 1)	Turns Ratio (3 - 5) 6,7 - 10,9 (shorted 6+7, 9+10)
100uH (±10%)	1.5 uH Max	4.5 : 1 (±1%)	3.0 : 1 ±1%

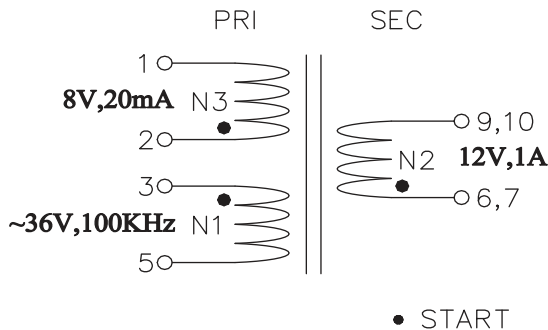
Electrical Specifications @25°C				
DCR (2 - 1)	DCR (3 - 5)	DCR (6+7 - 9+10)	Hi-Pot Pin 1 to Pin 9 (shorted, 2+3, 6+7)	Hi-Pot Pin 1 to Pin 5
0.190 Ohm ±10%	0.185 Ohm ±10%	0.031 Ohm ± 20%	AC 1500V 3mA for 1 Min or AC 1875V 3mA for 1 Sec	AC 500V 3mA for 1 Min or AC 625V 3mA for 1 Sec

All specifications subject to change without notice.

MECHANICAL



SCHEMATICS



WINDING

