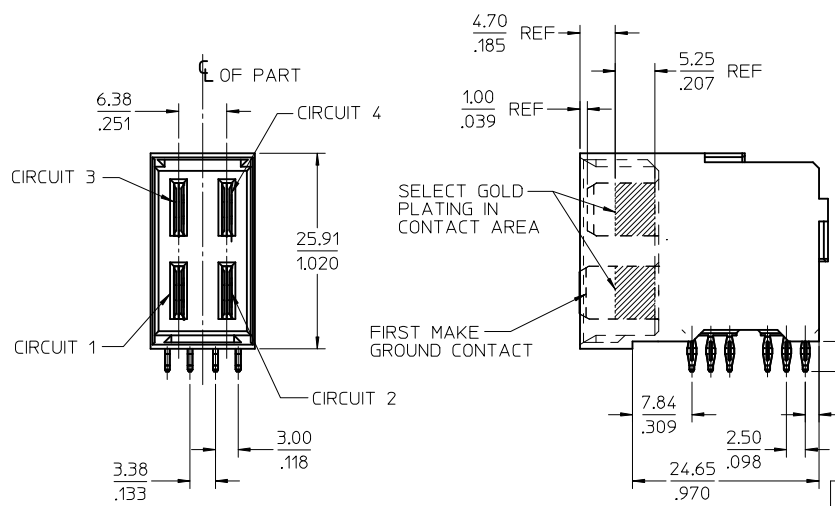
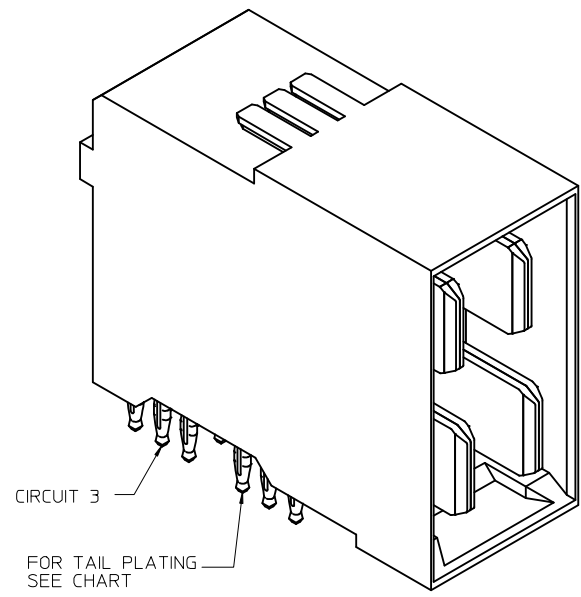


**PCB LAYOUT**  
**2.40/.094 MIN THICK**



- NOTES:
- MATERIALS:
    - HOUSING: 30% GLASS FILLED, LCP 94V-0, COLOR BLACK
    - TERMINALS: COPPER ALLOY
  - PLATING:
    - 0.76 MICROMETER (30 MICROINCH) MINIMUM GOLD IN CONTACT AREA
    - SELECTIVE MATTE TIN ON PCB TAILS
    - NICKEL UNDERPLATE OVERALL
  - PLUG MATES WITH RECEPTACLE ASSEMBLY 46079-10\*\*
  - MODULE IS DESIGNED FOR PRESS FIT TO THE PCB
  - MODULE ASSEMBLY IS RoHS COMPLIANT
  - MODULES TO BE UL & CSA LISTED PER UL-1977
  - AVERAGE INSERTION FORCE INTO PCB IS 8.2 kg/18 lbs PER TAIL
  - PRODUCT PERFORMANCE AND RATING PER PS-75431-\*\*\*\*
  - APPLICATION SPEC PER AS-75541-\*\*\*\*
  - RECOMMENDED PCB DRILL HOLE DIA 1.180/0465 (#56 DRILL)
  - FOR MODULE CONFIGURATION SEE DRAWING SD-75541-001



UPDATE PER ISIR EC NO: 2015/02/17 DRWN: JQUILES CHKD: MBANDURA APPR: APATEL 2015/02/17 2015/02/17 2015/02/17	QUALITY SYMBOLS ∇=0 ∇=0 ∇=0	GENERAL TOLERANCES (UNLESS SPECIFIED)		DIMENSION STYLE MM/IN		SCALE 2:1	DESIGN UNITS METRIC	THIRD ANGLE PROJECTION		
		4 PLACES ± --- ± ---	mm	INCH	DRAWN BY JQUILES	DATE 2005/08/01	ASSEMBLY - PLUG 4 CIRCUIT - PRESS FIT MULTI PATH <b>molex</b>			
		3 PLACES ± --- ± .008			CHECKED BY MDATA	DATE 2005/08/04				
		2 PLACES ± 0.20 ± .013			APPROVED BY APATEL	DATE 2005/08/05	MATERIAL NO. 46081-1000		DOCUMENT NO. SD-46081-100	
1 PLACE ± 0.33 ± ---			ANGULAR ±1/2°		SHEET NO. 1 OF 1					
0 PLACE ± ±			DRAFT WHERE APPLICABLE MUST REMAIN WITHIN DIMENSIONS		THIS DRAWING CONTAINS INFORMATION THAT IS PROPRIETARY TO MOLEX INCORPORATED AND SHOULD NOT BE USED WITHOUT WRITTEN PERMISSION					