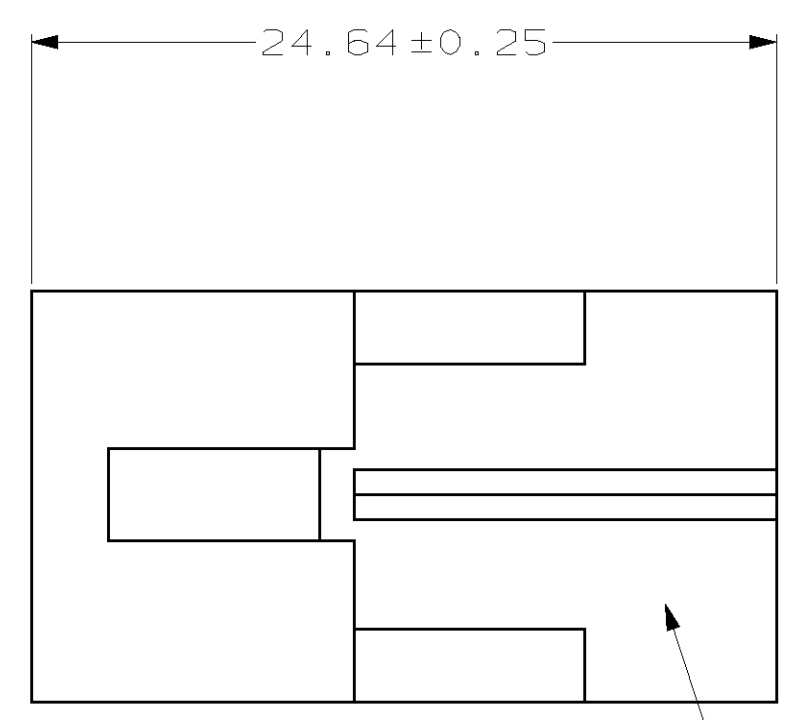
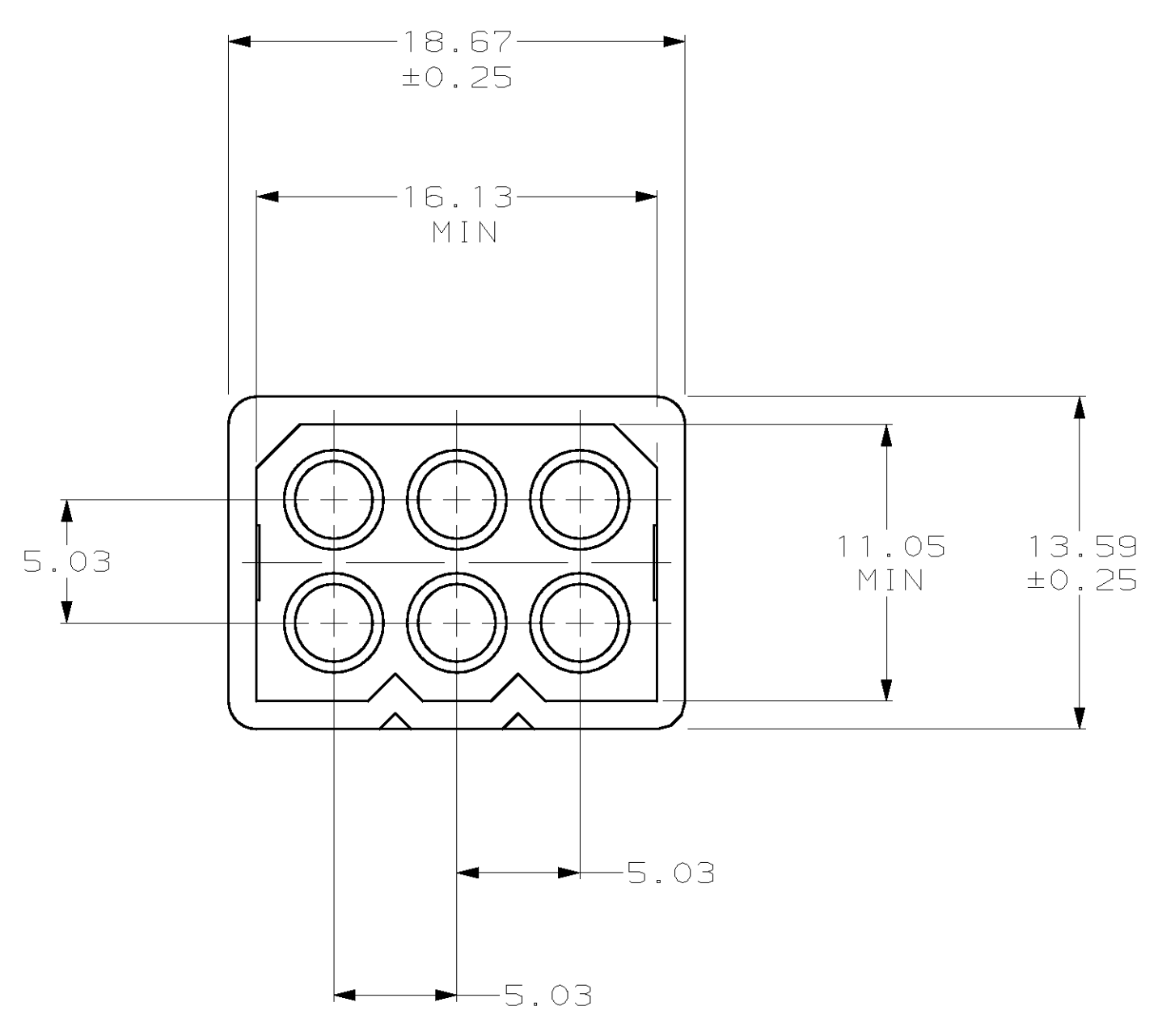
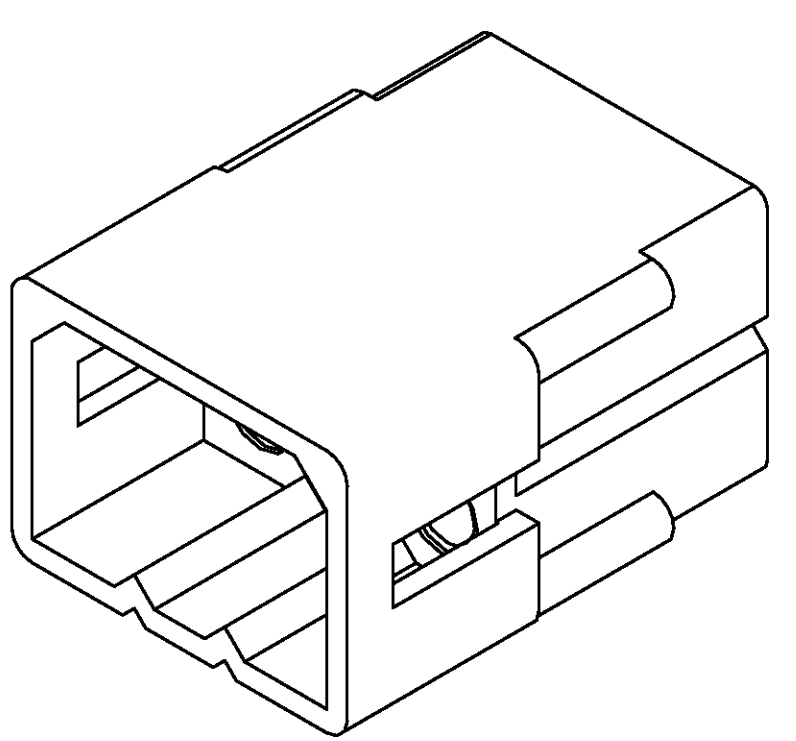
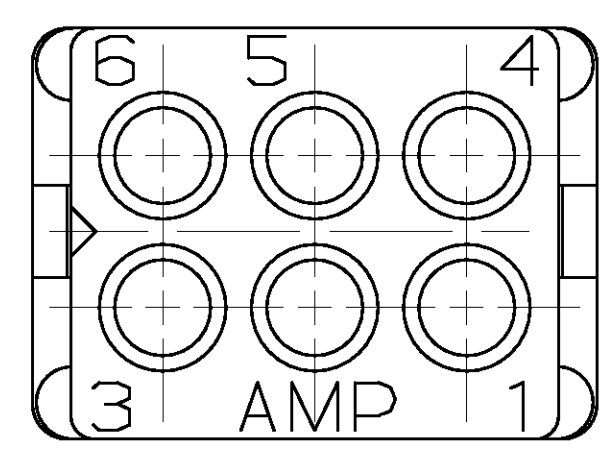


| LOC |    | QTY |     | REVISIONS                        |         |     |      |
|-----|----|-----|-----|----------------------------------|---------|-----|------|
| CM  | 53 | TR  | LYR | DESCRIPTION                      | DATE    | OWN | APVD |
| E   |    |     |     | REV AND RDWN PER CM OL30-0119-97 | 6-03-97 | KW  | RS   |

1 MARKING FOR UL LOGO AND CSA LOGO LOCATED APPROXIMATELY AS SHOWN.



1 OPPOSITE SIDE OPTIONAL



3-DIMENSIONAL MODEL NTS



| MM    | IN   |
|-------|------|
| 24.64 | .970 |
| 18.67 | .735 |
| 16.13 | .635 |
| 13.59 | .535 |
| 11.05 | .435 |
| 5.03  | .198 |
| 2.36  | .093 |
| 0.25  | .010 |
| 0.13  | .005 |
| MM    | IN   |

CONVERSION TABLE

770090-1  
PART NUMBER

|   |  |                    |         |  |
|---|--|--------------------|---------|--|
| THIS DRAWING IS A CONTROLLED DOCUMENT.  |  | DWN<br>K. WHITAKER | 6-03-97 | <b>AMP</b> AMP Incorporated<br>Harrisburg, PA 17105-3608   |
| DIMENSIONS:                             |  | CHK<br>R. SWING    | 6-03-97 |  |
| mm                                      | TOLERANCES UNLESS OTHERWISE SPECIFIED: | APVD<br>C. CASH    | 6-03-97 | NAME<br>PLUG, 6 CIRCUIT,<br>.093 COMMERCIAL PIN AND SOCKET |
| 0.13                                    | 1.0                                    | PRODUCT SPEC       |         | SIZE<br>A1   |
| 0.25                                    | 0.13                                   | APPLICATION SPEC   |         | SCALE CODE<br>C-770090                                     |
| 0.50                                    | 0.25                                   | HEIGHT             |         | RESTRICTED TO  |
| 1.00                                    | 0.50                                   | CUSTOMER DRAWING   |         | SCALE<br>4:1   |
| MATERIAL<br>NYLON,<br>UL 94V-2, NATURAL | FINISH<br>-                            |                    |         | SHEET<br>1 OF 1  |