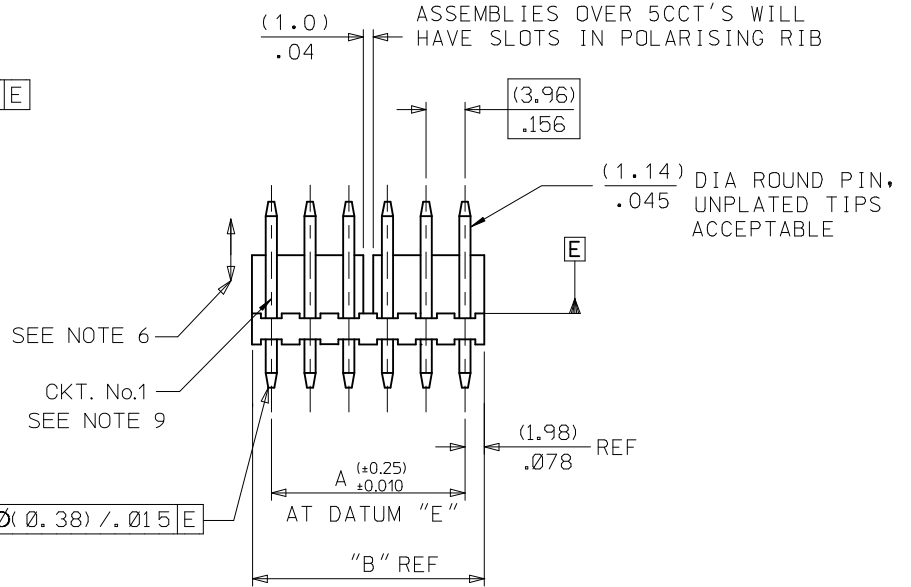
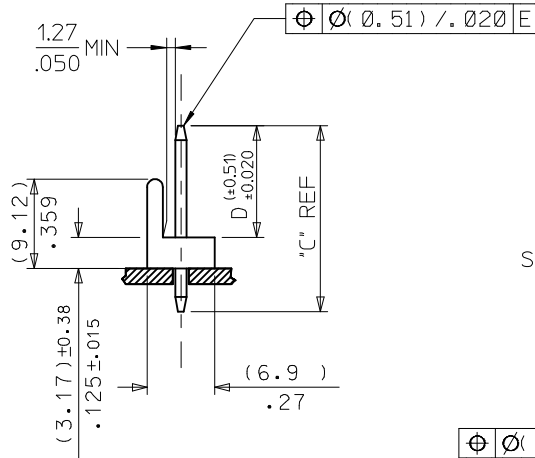
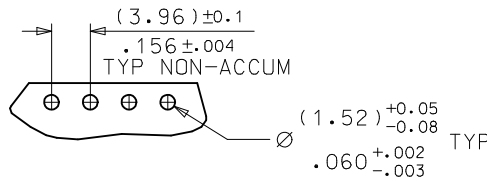


ENG No:		AE-3190-NA	
DIM "D"		(11.43) .450	
DIM "C"		(19.05) .750	
CCT SIZE	DIM "A"	DIM "B"	PART No
3	(7.92) .312	(11.89) .468	26-19-2031
4	(11.89) .468	(15.85) .624	26-19-2041
5	(15.85) .624	(19.81) .780	26-19-2051
6	(19.81) .780	(23.77) .936	26-19-2061
7	(23.77) .936	(27.74) 1.092	26-19-2071
8	(27.74) 1.092	(31.70) 1.248	26-19-2081
9	(31.70) 1.248	(35.66) 1.404	26-19-2091
10	(35.66) 1.404	(39.62) 1.560	26-19-2101
11	(39.62) 1.560	(43.59) 1.716	26-19-2111
12	(43.59) 1.716	(47.55) 1.872	26-19-2121
13	(47.55) 1.872	(51.51) 2.028	26-19-2131
14	(51.51) 2.028	(55.47) 2.184	26-19-2141
15	(55.47) 2.184	(59.44) 2.340	26-19-2151
16	(59.44) 2.340	(63.40) 2.496	26-19-2161
17	(63.40) 2.496	(67.36) 2.652	26-19-2171
18	(67.36) 2.652	(71.32) 2.808	26-19-2181
19	(71.32) 2.808	(75.29) 2.964	26-19-2191
20	(75.29) 2.964	(79.25) 3.120	26-19-2201



NOTES:

1. MATERIAL: HOUSING: NYLON, UL94V-2, COLOR: NATURAL
PINS: BRASS
2. FINISH: (0.00254)/.000100 MIN. MATTE TIN OVER
(0.00127)/.000050 MIN. NICKEL
UNPLATED TIPS ACCEPTABLE
3. PRODUCT SPECIFICATION: PS-99020-0087
4. PACKAGING SPECIFICATION: PER PK-3190-001
5. THIS PART CONFORMS TO CLASS B REQUIREMENTS OF
COSMETIC SPECIFICATION PS-45499-002.
6. PIN PUSHOUT FORCE 3 LBS MIN.
7. PIN MUST CONFORM TO MOLEX SOLDERABILITY SPEC
SMES-152 AFTER PLATING.
8. RECOMMENDED PCB BOARD 1.6MM
9. CIRCUIT 1 USED TO DEFINE VOID LOCATION. CIRCUIT 1
MAY OR MAY NOT ALIGN WITH CIRCUIT 1 OF THE MATING PART.



RECOMMENDED PCB HOLE DIMENSIONS

REMOVE 2CKT EC NO: UCP2016-0549 DRAWN: 2015/08/06 CHKD: JDFOX APPR: FSMITH 2015/08/24	QUALITY SYMBOLS ▽E=0 ▽E=0 ▽E=0	GENERAL TOLERANCES (UNLESS SPECIFIED)		DIMENSION STYLE		SCALE	DESIGN UNITS	THIRD ANGLE PROJECTION		
				MM/IN		2:1	METRIC			
				DRAWN BY DATE		TITLE				
				CHECKED BY DATE		WAFER POL KK .156 FOR .045 ROUND PINS				
		APPROVED BY DATE		MATERIAL NO.		DOCUMENT NO.		SHEET NO.		
AD1		ANGULAR ±1/2°		SEE CHART		SDAE-3190-N**		1 OF 2		
		DRAFT WHERE APPLICABLE MUST REMAIN WITHIN DIMENSIONS		SIZE B		THIS DRAWING CONTAINS INFORMATION THAT IS PROPRIETARY TO MOLEX INCORPORATED AND SHOULD NOT BE USED WITHOUT WRITTEN PERMISSION				