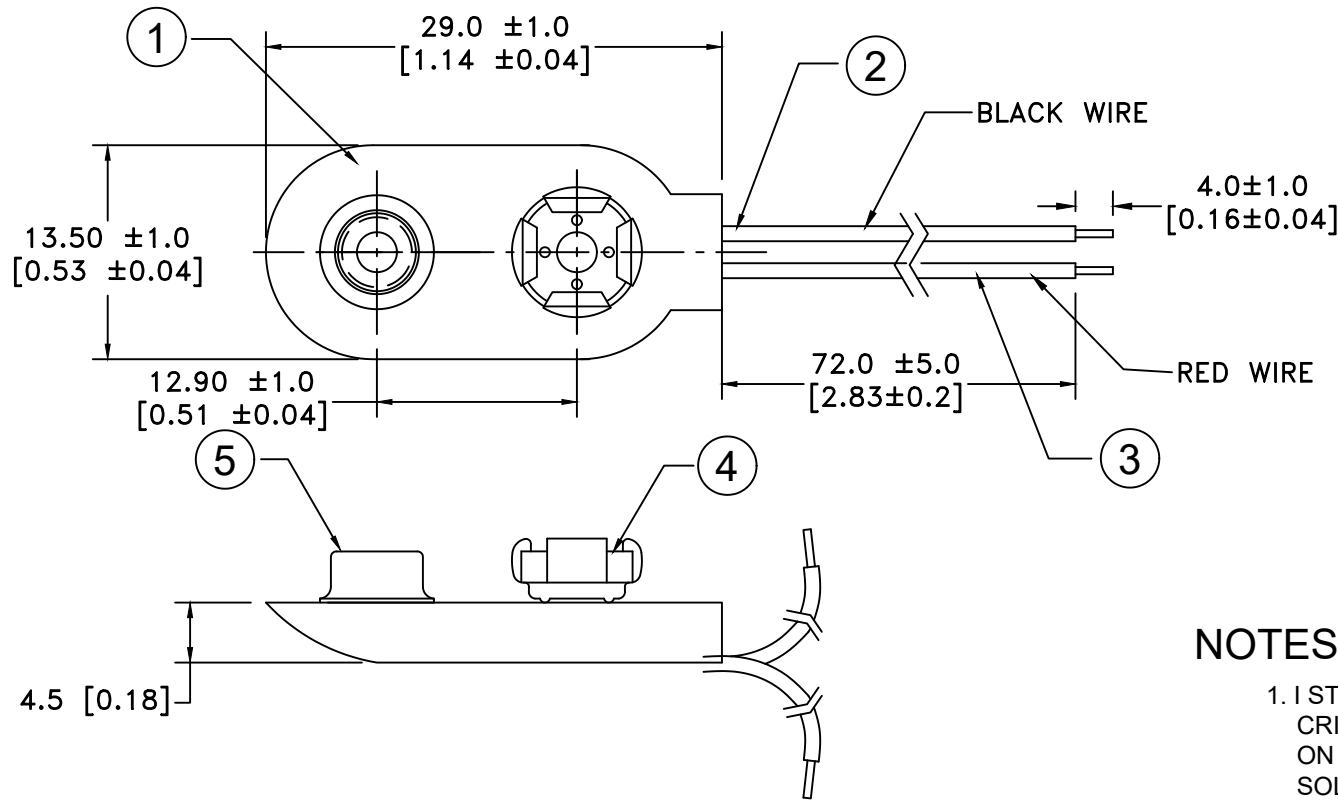


Date	SYM	REVISION RECORD	AUTH	DR.	CK.
6/07/19	C	UPDATED ALL DIMENSIONS	T.B.	B.S.	



NOTES:

- 1. I STYLE 2 PCS. MOLDED CASE CONSTRUCTION WITH CRIMP CONNECTIONS. CRIMP ON WIRE INSULATION AND ON WIRE PROVIDES STRAIN RELIEF THAT STANDARD SOLDERED SNAPS DO NOT HAVE.
- ROHS COMPLIANT

N0.	PART NAME	MATERIAL	QTY.	Tolerance (Except as noted)	MPD Memory Protection Devices, Inc 200 Broad Hollow Road, Farmingdale, New York 11735		
1	COVER	PVC COVER OVER FIBERBOARD	1	decimal ±.5 (.020) Fractional ± .8 (.030) Angular ± 3°	Scale	Drawn By B.S.	
2	BLACK WIRE(-)	24 AWG, UL-1007, CSA TR-64, 300V, 80°C	1			Approved By T.B.	
3	RED WIRE (+)	24 AWG, UL-1007, CSA TR-64, 300V, 80°C	1		Title 9 VOLT BATTERY SNAP-I STYLE, HEAVY DUTY, 3" WIRE LEADS		
4	FEMALE SNAP	PHOSPHOR BRONZE, NICKLE PLATED, HEAVY DUTY	1				
5	MALE SNAP	BRASS NICKLE PLATED	1				
				Date	Drawing Number		
				6/07/19	BS3I-HD		