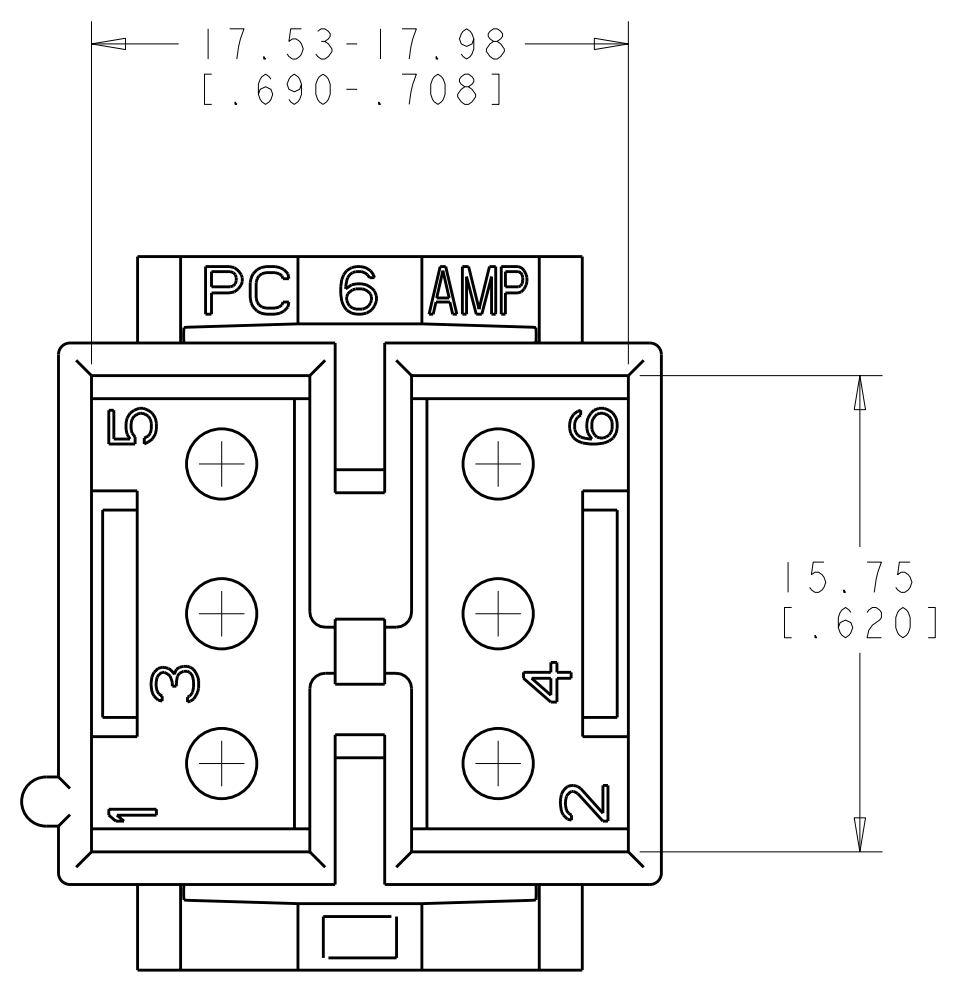
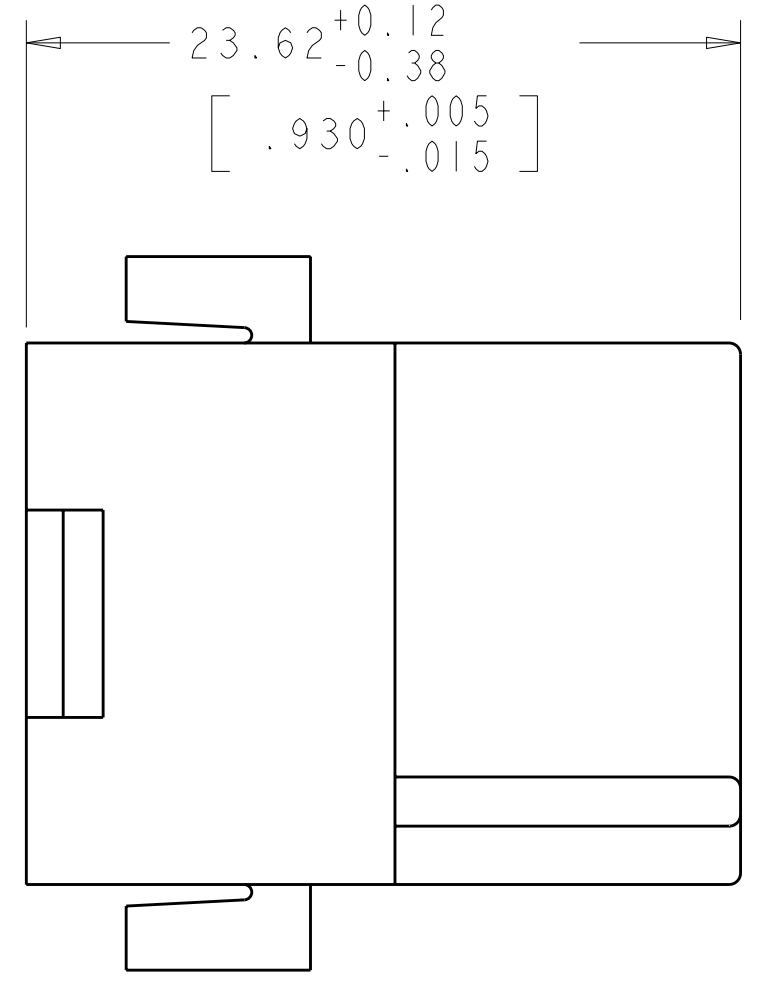
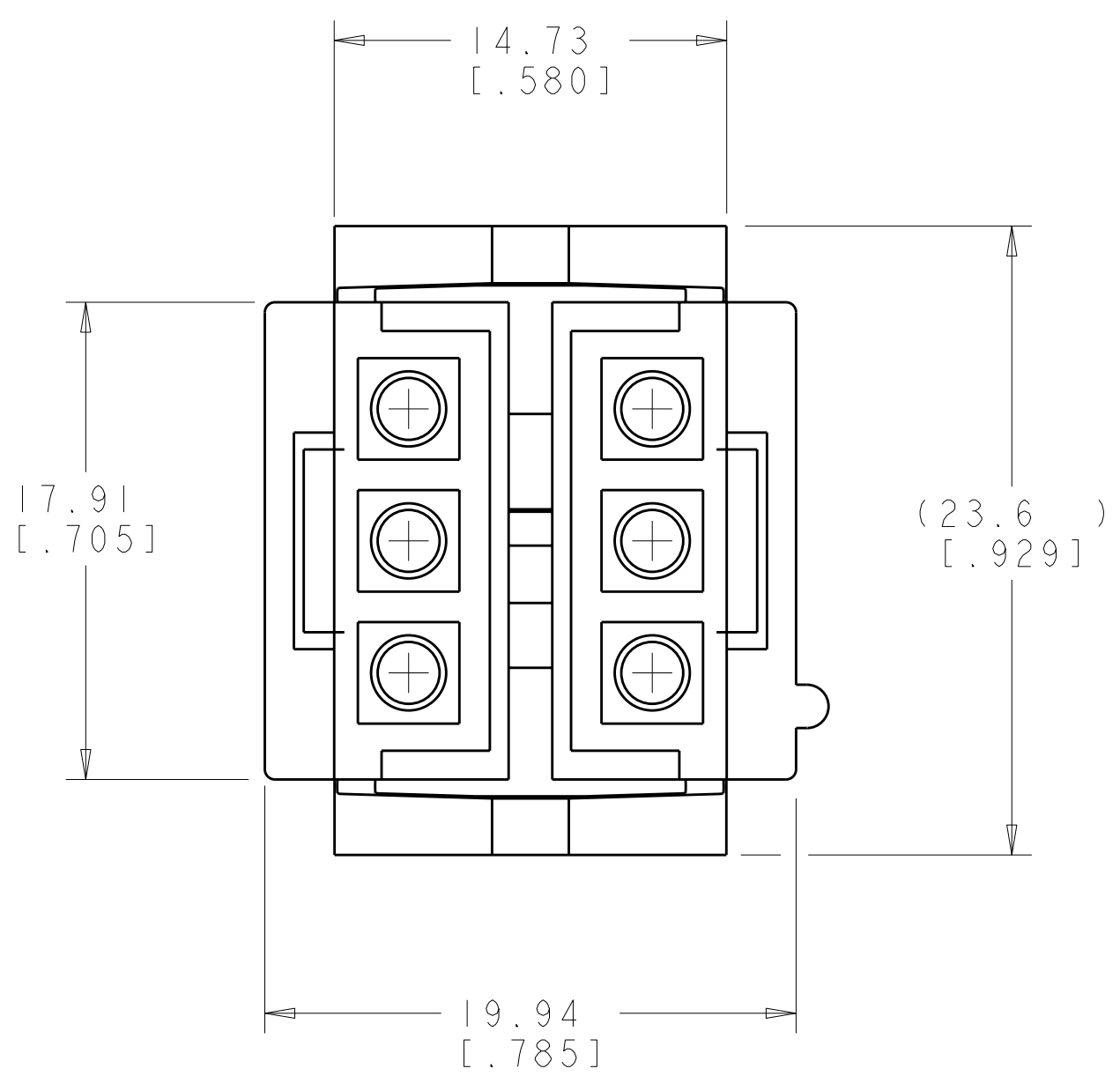
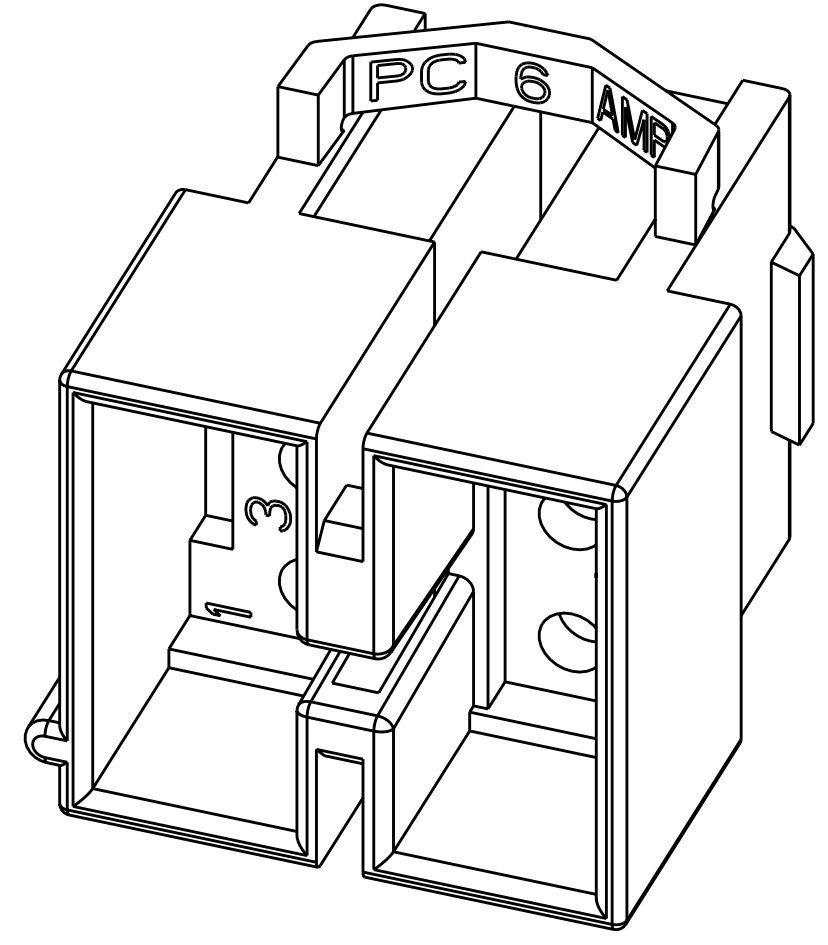
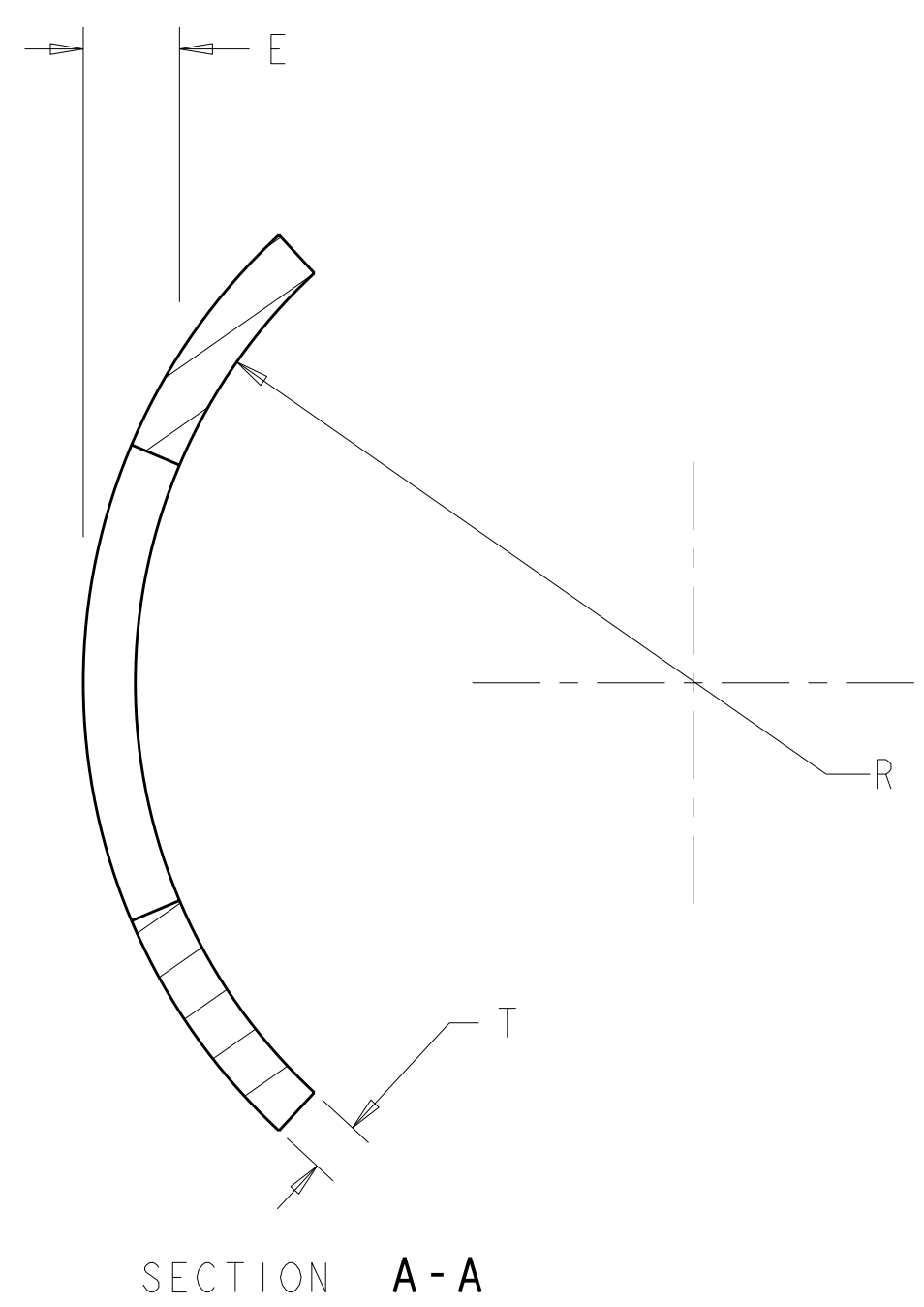
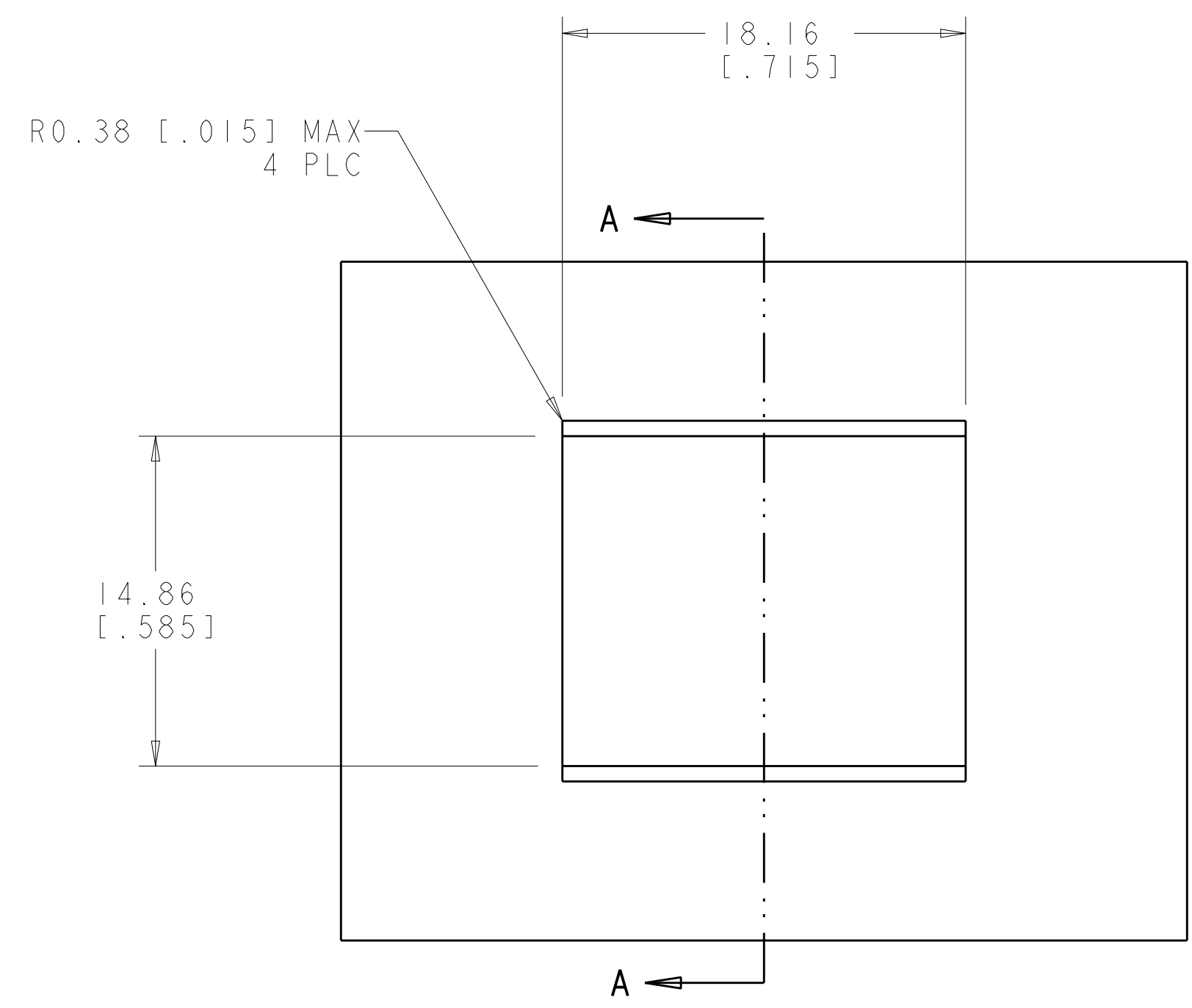
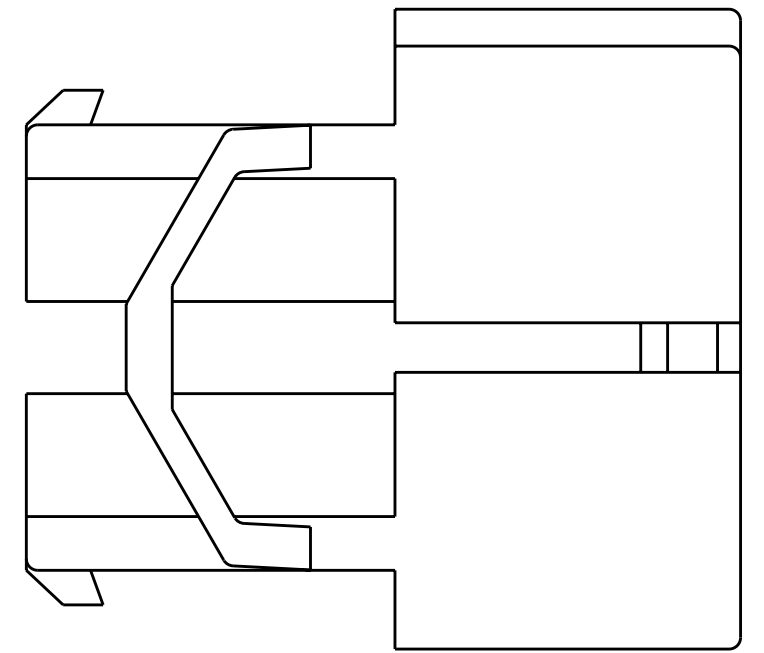


LOC	DIST	REVISIONS			
CM	00	REV	DATE	BY	APPD
		AE	ECO-07-026122	05NOV2007	KW CC
		AF	ECO-07-028172	28NOV2007	KW CC



1. TO BE USED WITH COMMERCIAL MATE-N-LOK™ PINS.
2. TO BE USED WITH PLUG 480270.
3. RECOMMENDED PANEL THICKNESS "E" IS 1.02-2.54 [.040-.100] AND IS DEPENDENT ON "T" AND "R".
4. HOUSING MUST BE INSERTED IN A ROCKING MANNER.
5. THE PANEL MUST BE PUNCHED SO THAT THE HOUSING ENTERS THE PANEL IN THE SAME DIRECTION AS THE PUNCH.
6. MOTOR MOUNT HOUSINGS MAY BE USED IN FLAT PANELS.



RECOMMENDED CUT OUT

0.192 IN <sup>3</sup>	1-480271-0
VOLUME	PART NUMBER

**METRIC**

<small>THIS DRAWING IS UNPUBLISHED. RELEASED FOR PUBLICATION BY TYCO ELECTRONICS CORPORATION. ALL RIGHTS RESERVED.</small>		DWN: R. WHITAKER 01NOV2007 CHK: C. CASH 01NOV2007 APVD: C. CASH 01NOV2007	Tyco Electronics Harrisburg, PA 17105-3608
DIMENSIONS: mm [INCHES]		PRODUCT SPEC: - APPLICATION SPEC: - WEIGHT: - CUSTOMER DRAWING	NAME: CAP, 6 CIRCUIT, MOTOR MOUNT, COMMERCIAL MATE-N-LOK(TM) SIZE: A   00779   C=480271 SCALE: 4:1 SHEET 1 OF 1 REV AF
TOLERANCES UNLESS OTHERWISE SPECIFIED: 9 PLC ± 8 PLC ±0.13 (1.005) 5 PLC ± 4 PLC ± ANGLES ±40°30'		RESTRICTED TO	
MATERIAL: NYLON UL 94V-2 NATURAL		FINISH: -	