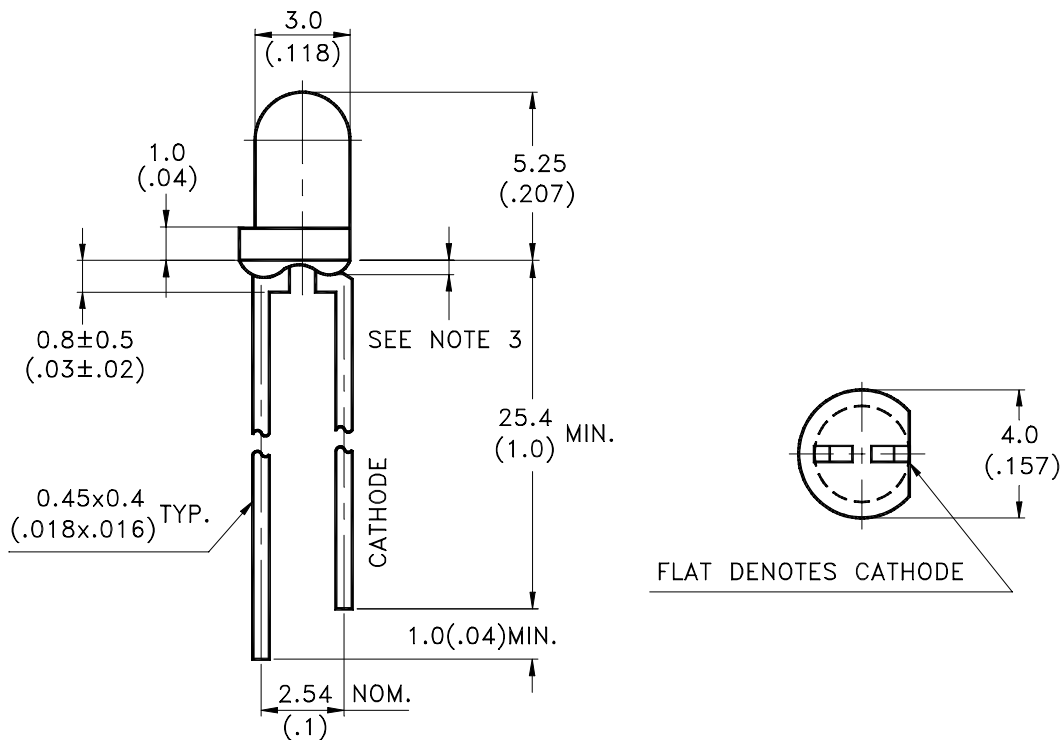


Property of Lite-On Only

Features

- * High luminous intensity output.
- * Low power consumption.
- * High efficiency.
- * Versatile mounting on P.C. Board or panel.
- * I.C. Compatible/low current requirement.
- * Popular T-1 diameter package.

Package Dimensions



| Part No. | Lens | Source Color |
|-------------|----------------|--------------------|
| LTL42EVHJNT | White Diffused | AlInGaP Red Orange |

Notes:

1. All dimensions are in millimeters (inches).
2. Tolerance is $\pm 0.25\text{mm}(.010\text{'})$ unless otherwise noted.
3. Protruded resin under flange is 1.0mm(.04") max.
4. Lead spacing is measured where the leads emerge from the package.
5. Specifications are subject to change without notice.



Property of Lite-On Only

Absolute Maximum Ratings at TA=25°C

| Parameter | Maximum Rating | Unit |
|--|---------------------|-------|
| Power Dissipation | 120 | mW |
| Peak Forward Current (1/10 Duty Cycle, 0.1ms Pulse Width) | 90 | mA |
| Continuous Forward Current | 50 | mA |
| Derating Linear From 50°C | 0.6 | mA/°C |
| Reverse Voltage | 5 | V |
| Operating Temperature Range | -40°C to + 100°C | |
| Storage Temperature Range | -55°C to + 100°C | |
| Lead Soldering Temperature [1.6mm(.063") From Body] | 260°C for 5 Seconds | |



Property of Lite-On Only

Electrical / Optical Characteristics at TA=25°C

| Parameter | Symbol | Min. | Typ. | Max. | Unit | Test Condition |
|--------------------------|-------------------|------|------|------|------|---------------------------------|
| Luminous Intensity | I _v | 400 | 680 | | mcd | I _F = 20mA Note 1 |
| Viewing Angle | 2θ _{1/2} | | 40 | | deg | Note 2 (Fig.5) |
| Peak Emission Wavelength | λ _p | | 624 | | nm | Measurement @Peak (Fig.1) |
| Dominant Wavelength | λ _d | | 618 | | nm | Note 4 |
| Spectral Line Half-Width | Δλ | | 18 | | nm | |
| Forward Voltage | V _F | | 2.0 | 2.4 | V | I _F = 20mA |
| Reverse Current | I _R | | | 100 | μA | V _R = 5V |
| Capacitance | C | | 40 | | pF | V _F = 0 , f = 1MHz |

- NOTE: 1. Luminous intensity is measured with a light sensor and filter combination that approximates the CIE eye-response curve.
2. θ_{1/2} is the off-axis angle at which the luminous intensity is half the axial luminous intensity.
3. I_v classification code is marked on each packing bag.
4. The dominant wavelength, λ_d is derived from the CIE chromaticity diagram and represents the single wavelength which defines the color of the device.

Property of Lite-On Only

Typical Electrical / Optical Characteristics Curves

(25°C Ambient Temperature Unless Otherwise Noted)

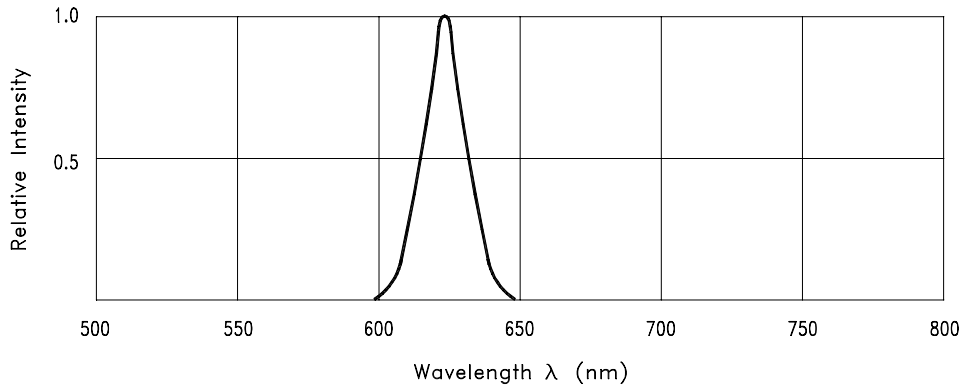


Fig.1 Relative Intensity vs. Wavelength

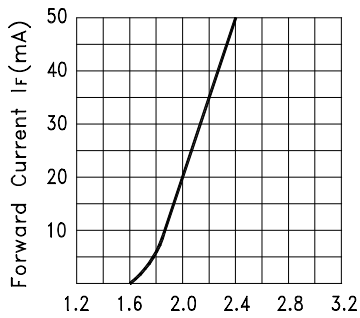


Fig.2 Forward Current vs. Forward Voltage

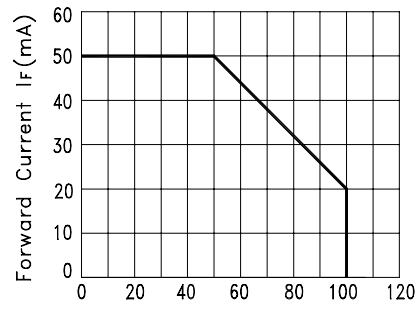


Fig.3 Forward Current Derating Curve

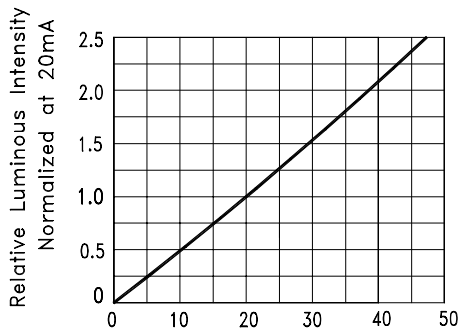


Fig.4 Relative Luminous Intensity vs. Forward Current

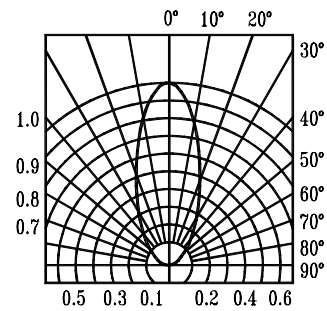


Fig.5 Spatial Distribution