

PRODUCT DATASHEET

Overmolded Metal Stick Tag - D22mm

Robust Tag for On-metal Applications

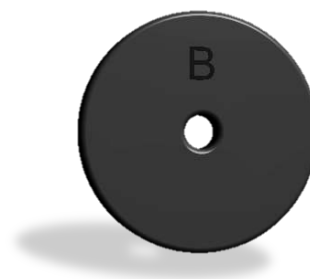
Overmolded Metal Stick Tag (size 22mm in diameter) has slim but robust housing (IP68 rated) for industrial applications. The tag can be mounted to items with metal surface by using adhesive or screw in the 5mm central hole. The flat surface can be laser marked with logo or numbering to assist visual identification.

Features

- Slim but robust Housing
- IP68 rated
- Good ID numbering or logo marking
- On-metal application
(Face the side with B-mark toward the attached item)

Applications

- Pallet Identification
- Asset Management
- Maintenance Record

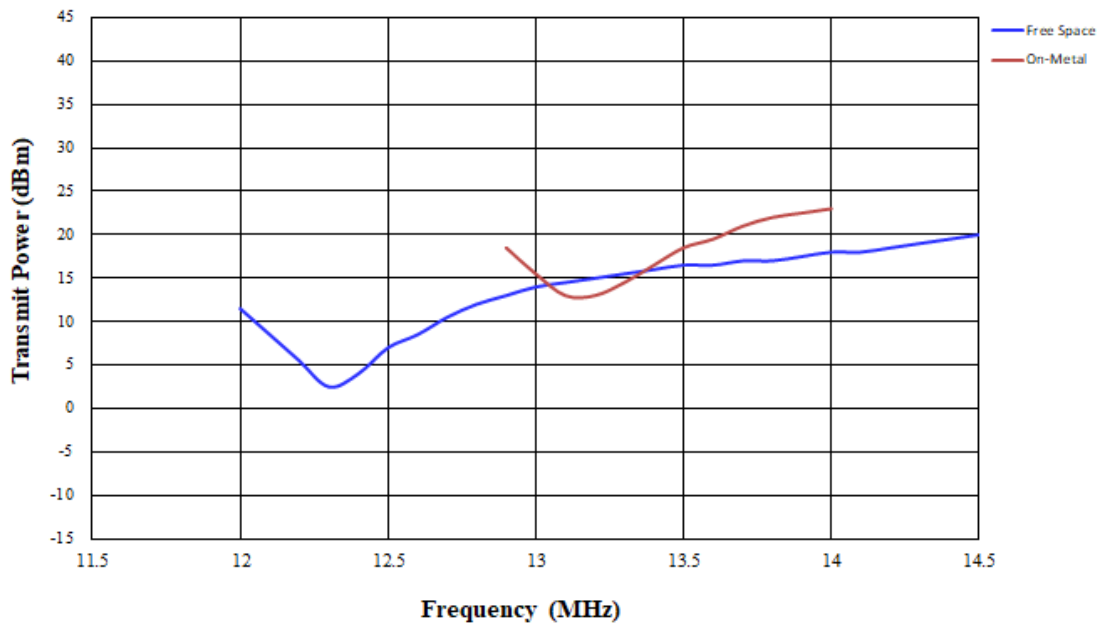


RF Specification

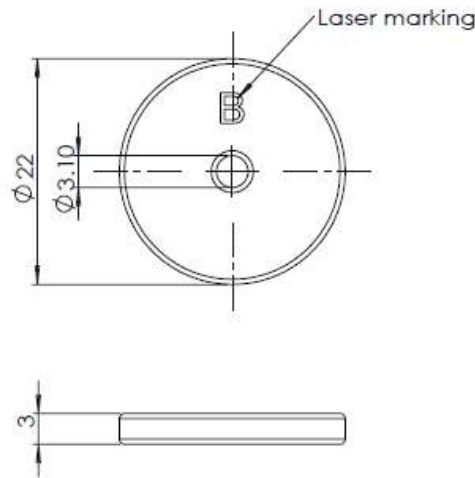
IC Type	NXP I CODE SLIX
Memory	UID 64 bit User memory 896 bit
RF Interface Protocol	ISO 15693 / ISO 18000-3
Operating Frequency	13.56 MHz
Applicable Surface	On - Metal

Environmental Resistance

Operating Temperature	-40°C to +85°C
Storage Temperature	-40°C to +120°C
Weight	1.7g
Warranty	One Year



*HF sensitivity shown in the figure is measured by Voyantic Tagformance HF Loop Antenna C60 on 15*15mm steel plate. Actual sensitivity performance is subject to the environment in practice.



Physical Specification

Color	Black
Material	Nylon
Size	OD 22 mm/ 0.86 in ID 3.1 mm/ 0.12 in Thickness 3.0 mm/ 0.11 in <small>*The exact size is mainly based on metric unit.</small>
IP Rating	IP68
Attachment	Adhesive (parts not included)

Ref. No: ST-110059 / 420820527-05035

All rights reserved. Product specifications are subject to change without prior notification.

Securitag Assembly Group (SAG) reserves the rights to change product specifications without prior notice. Our products are free from defects in material and workmanship. However, this warranty does not cover accidental damage, wear and tear due to Under no conditions is SAG liable for loss and damage to a device, data or records. We also recommend extra care to minimize ESD improper use, in the surroundings of the application.

