

August 1996

Dual/Quad SPST CMOS Analog Switches

Features

- Analog Voltage Range $\pm 15V$
- Analog Current Range **80mA**
- Turn-On Time **240ns**
- Low R_{ON} **.55 Ω**
- Low Power Dissipation **.15mW**
- TTL/CMOS Compatible

Applications

- High Frequency Analog Switching
- Sample and Hold Circuits
- Digital Filters
- Operational Amplifier Gain Switching Networks

Description

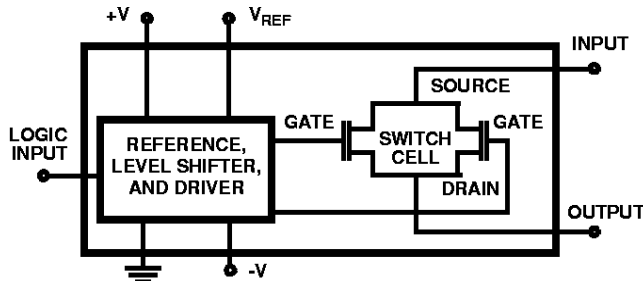
HI-200/HI-201 are monolithic devices comprising independently selectable SPST switches which feature fast switching speeds (HI-200 240ns, and HI-201 185ns) combined with low power dissipation (15mW at +25°C). Each switch provides low "ON" resistance operation for input signal voltage up to the supply rails and for signal current up to 80mA. Rugged DI construction eliminates latch-up and substrate SCR failure modes.

All devices provide break-before-make switching and are TTL and CMOS compatible for maximum application versatility. HI-200/HI-201 are ideal components for use in high frequency analog switching. Typical applications include signal path switching, sample and hold circuit, digital filters, and operational amplifier gain switching networks.

HI-200 is a dual SPST CMOS analog switch available in DIP and (TO-99) metal cans and is pin compatible with other available "200 series" switches. For MIL-STD-883 compliant parts, request the HI-200/883 data sheet.

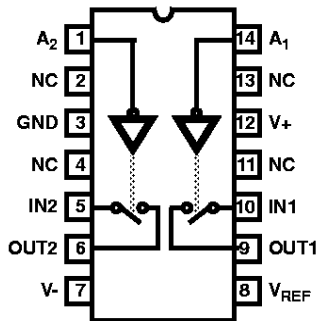
HI-201 is a quad SPST CMOS analog switch available in DIP and SOIC package and pin compatible with other available "200 series" switches. For MIL-STD-883 compliant parts, request the HI-201/883 datasheet.

Functional Diagram

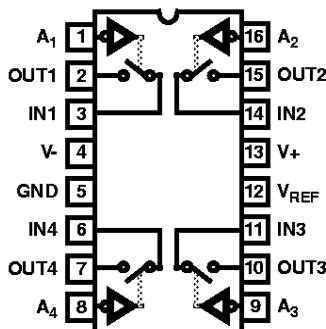


Pinouts

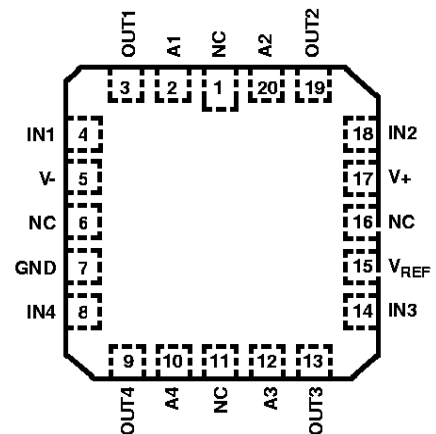
HI-200 (CERDIP, PDIP, SOIC)
TOP VIEW



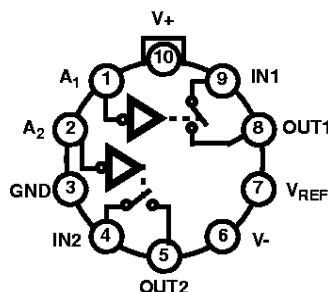
HI-201 (CERDIP, PDIP, SOIC)
TOP VIEW



HI-201 (PLCC, CLCC)
TOP VIEW



HI-200 (METAL CAN)
TOP VIEW



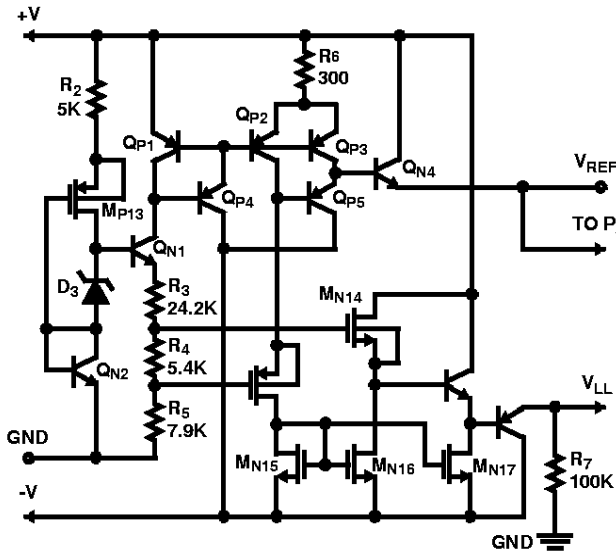
HI-200, HI-201

Ordering Information

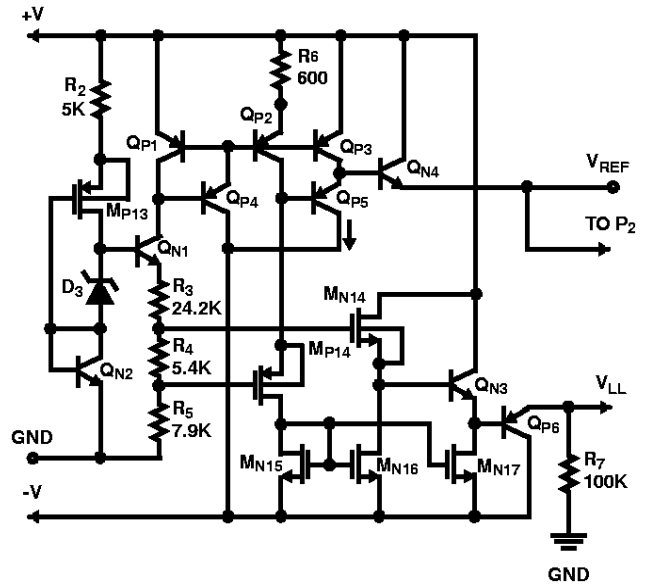
PART NUMBER	TEMPERATURE RANGE	PACKAGE	PKG. NO.
HI2-0200-5	0°C to +75°C	10 Pin Metal Can	T10.B
HI1-0200-5	0°C to +75°C	14 Lead CERDIP	F14.3
HI2-0200-4	-25°C to +85°C	10 Pin Metal Can	T10.B
HI3-0200-5	0°C to +75°C	14 Lead PDIP	E14.3
HI2-0200-7	0°C to +75°C +96 Hr. Burn-In	10 Pin Metal Can	T10.B
HI1-0200-7	0°C to +75°C +96 Hr. Burn-In	14 Lead CERDIP	F14.3
HI1-0200-2	-55°C to +125°C	14 Lead CERDIP	F14.3
HI1-0200-4	-25°C to +85°C	14 Lead CERDIP	F14.3
HI2-0200-2	-55°C to +125°C	10 Pin Metal Can	T10.B
HI9P0200-5	0°C to +75°C	14 Lead Plastic SOIC	M14.15
HI9P0200-9	-40°C to +85°C	14 Lead Plastic SOIC	M14.15
HI1-0200/883	-55°C to +125°C	14 Lead CERDIP	F14.3
HI2-0200/883	-55°C to +125°C	10 Pin Metal Can	T10.B
HI1-0201-7	0°C to +75°C +96 Hr. Burn-In	16 Lead CERDIP	F16.3
HI1-0201-5	0°C to +75°C	16 Lead CERDIP	F16.3
HI1-0201-4	-25°C to +85°C	16 Lead CERDIP	F16.3
HI4P0201-5	0°C to +75°C	20 Lead PLCC	N20.35
HI9P0201-5	0°C to +75°C	16 Lead Plastic SOIC (N)	M16.15
HI9P0201-9	-40°C to +85°C	16 Lead Plastic SOIC (N)	M16.15
HI1-0201-2	-55°C to +125°C	16 Lead CERDIP	F16.3
HI3-0201-5	0°C to +75°C	16 Lead PDIP	E16.3
HI1-0201/883	-55°C to +125°C	16 Lead CERDIP	F16.3
HI4-0201/883	-55°C to +125°C	20 Lead CLCC	J20.A

Schematic Diagrams

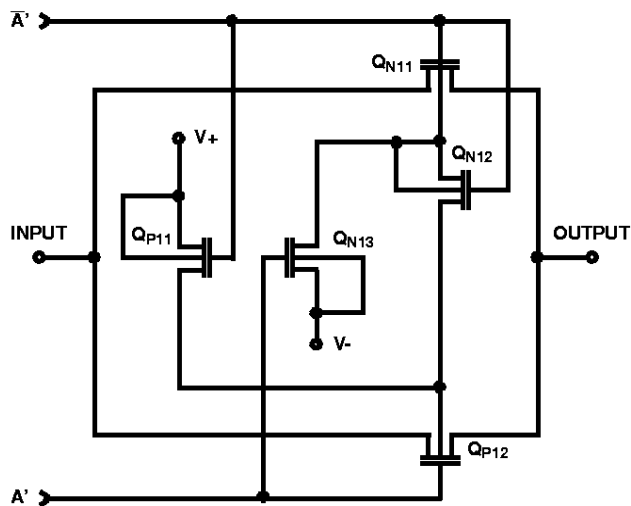
TTL/CMOS REFERENCE CIRCUIT V_{REF} CELL
HI-200



TTL/CMOS REFERENCE CIRCUIT V_{REF} CELL
HI-201

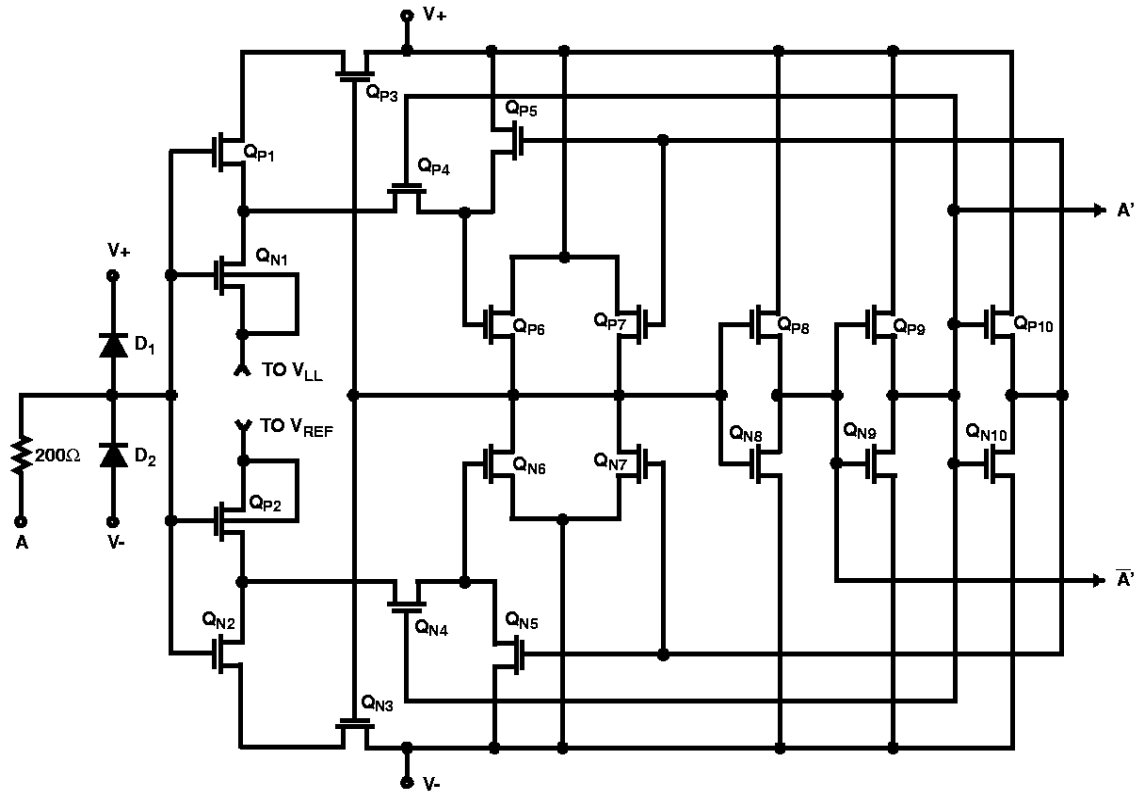


SWITCH CELL



Schematic Diagrams (Continued)

DIGITAL INPUT BUFFER AND LEVEL SHIFTER



HI-200, HI-201

Absolute Maximum Ratings

Supply Voltage	.44V (±22)
V _{REF} to Ground	20V, -5V
Digital Input Voltage	+V _{SUPPLY} 4V -V _{SUPPLY} -4V
Analog Input Voltage (One Switch)	+V _{SUPPLY} 2.0V -V _{SUPPLY} -2.0V

Operating Temperature Range

HI-200-2, HI-201-2	-55°C to 125°C
HI-200-4, HI-201-4	-25°C to 85°C
HI-200-5, HI-201-5	0°C to 75°C
HI200-9, HI201-9	-40°C to 85°C

Thermal Information

Thermal Resistance (Typical, Note 1)	θ _{JA} (°C/W)	θ _{JC} (°C/W)
CERDIP Package (/883 Versions)	80	24
CERDIP Package (Non /883 Versions)	95	40
Plastic LCC Package	80	-
Plastic DIP Package	100	-
Plastic SOP Package (14 Lead)	120	-
Plastic SOP Package (16 Lead)	100	-
Metal Can Package	160	75
Ceramic LCC Package	65	13
Maximum Storage Temperature	-65°C to 150°C	
Maximum Junction Temperature (Hermetic)	+175°C	
Maximum Junction Temperature (Plastic)	+150°C	
Maximum Lead Temperature (Soldering, 10s)	300°C	
(For Surface Mount Packages - Lead Tips Only)		

CAUTION: Stresses above those listed in "Absolute Maximum Ratings" may cause permanent damage to the device. This is a stress only rating and operation of the device at these or any other conditions above those indicated in the operational sections of this specification is not implied.

NOTE:

1. θ_{JA} is measured with the component mounted on an evaluation PC board in free air.

Electrical Characteristics Supplies = +15V, -15V; V_{REF} = Open; V_{AH} (Logic Level High) = 2.4V,
V_{AL} (Logic Level Low) = +0.8V

PARAMETER	TEST CONDITIONS	TEMP	HI-200, HI-201-2			HI-200, HI201 -4, -5, -7, -9			UNITS
			MIN	TYP	MAX	MIN	TYP	MAX	
SWITCHING CHARACTERISTICS									
Switch On Time, t _{ON}									
HI-200		+25°C	-	240	500	-	240	-	ns
HI-201		+25°C	-	185	500	-	185	-	ns
		Full	-	1000	-	-	1000	-	ns
Switch Off Time, t _{OFF}									
HI-200		+25°C	-	330	500	-	500	-	ns
HI-201		+25°C	-	220	500	-	220	-	ns
		Full	-	1000	-	-	1000	-	ns
"Off Isolation"	(Note 4)								
HI-200		+25°C	-	70	-	-	70	-	dB
HI-201		+25°C	-	80	-	-	80	-	dB
Input Switch Capacitance, C _{S(OFF)}		+25°C	-	5.5	-	-	5.5	-	pF
Output Switch Capacitance, C _{D(OFF)}		+25°C	-	5.5	-	-	5.5	-	pF
Output Switch Capacitance, C _{D(ON)}		+25°C	-	11	-	-	11	-	pF
Digital Input Capacitance, C _A		+25°C	-	5	-	-	5	-	pF
Drain-to-Source Capacitance, C _{DS(OFF)}		+25°C	-	0.5	-	-	0.5	-	pF
DIGITAL INPUT CHARACTERISTICS									
Input Low Threshold, V _{AL}		Full	-	-	0.8	-	-	0.8	V
Input High Threshold, V _{AH}		Full	2.4	-	-	2.4	-	-	V
Input Leakage Current (High or Low), I _A	(Note 2)	Full	-	-	1.0	-	-	1.0	µA
ANALOG SWITCH CHARACTERISTICS									
Analog Signal Range, V _S		Full	-15	-	+15	-15	-	+15	V

HI-200, HI-201

Electrical Characteristics Supplies = +15V, -15V; V_{REF} = Open; V_{AH} (Logic Level High) = 2.4V,
V_{AL} (Logic Level Low) = +0.8V (Continued)

PARAMETER	TEST CONDITIONS	TEMP	HI-200, HI-201-2			HI-200, HI201 -4, -5, -7, -9			UNITS
			MIN	TYP	MAX	MIN	TYP	MAX	
On Resistance, R _{ON}	(Note 1)	+25°C	-	55	70	-	55	80	Ω
		Full	-	80	100	-	72	100	Ω
Off Input Leakage Current, I _{S(OFF)}	(Note 6)	+25°C	-	1	5	-	1	50	nA
		Full	-	100	500	-	10	500	nA
Off Output Leakage Current, I _{D(OFF)}	(Note 6)	+25°C	-	1	5	-	1	50	nA
		Full	-	100	500	-	10	500	nA
On Leakage Current, I _{D(ON)}	(Note 6)	+25°C	-	1	5	-	1	50	nA
		Full	-	100	500	-	10	500	nA
I _{S(OFF)}		+25°C	-	2	5	-	2	50	nA
HI-201		Full	-	-	500	-	-	250	nA
I _{D(OFF)}		+25°C	-	2	5	-	2	50	nA
HI-201		Full	-	35	500	-	35	250	nA
I _{D(ON)}		+25°C	-	2	5	-	2	50	nA
HI-201		Full	-	-	500	-	-	250	nA
POWER REQUIREMENTS (Note 5)									
Power Dissipation, P _D		+25°C	-	15	-	-	15	-	mW
		Full	-	-	60	-	-	60	mW
Current, I ₊		+25°C	-	0.5	-	-	0.5	-	mA
		Full	-	-	2.0	-	-	2.0	mA
Current, I ₋		+25°C	-	0.5	-	-	0.5	-	mA
		Full	-	-	2.0	-	-	2.0	mA

NOTES:

2. V_{OUT} = ± 10V, I_{OUT} = 1mA.
3. Digital Inputs are MOS gates: typical leakage is < 1nA.
4. V_{AH} = 4.0V.
5. V_A = 5V, R_L = 1kΩ, C_L = 10pF, V_S = 3V_{RMS}, f = 100kHz.
6. V_A = +3V or V_A = 0V for Both Switches.
7. Refer to Leakage Current Measurements (Figure 4).

Performance Curves and Test Circuits T_A = +25°C, V_{SUPPLY} = 15V, V_{AH} = 2.4V, V_{AL} = 0.8V and V_{REF} = Open

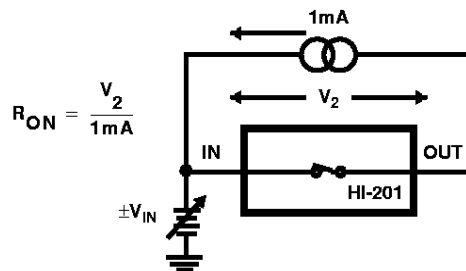


FIGURE 1. ON RESISTANCE vs ANALOG SIGNAL LEVEL, SUPPLY VOLTAGE AND TEMPERATURE

HI-200, HI-201

Performance Curves and Test Circuits $T_A = +25^\circ\text{C}$, $V_{\text{SUPPLY}} = 15\text{V}$, $V_{\text{AH}} = 2.4\text{V}$, $V_{\text{AL}} = 0.8\text{V}$ and $V_{\text{REF}} = \text{Open}$
(Continued)

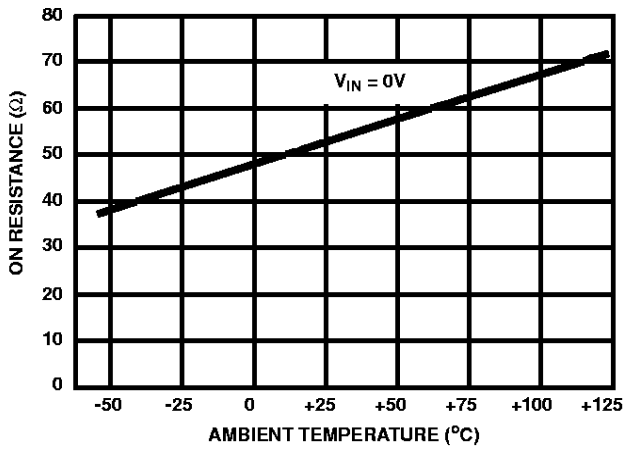


FIGURE 2. ON RESISTANCE vs TEMPERATURE

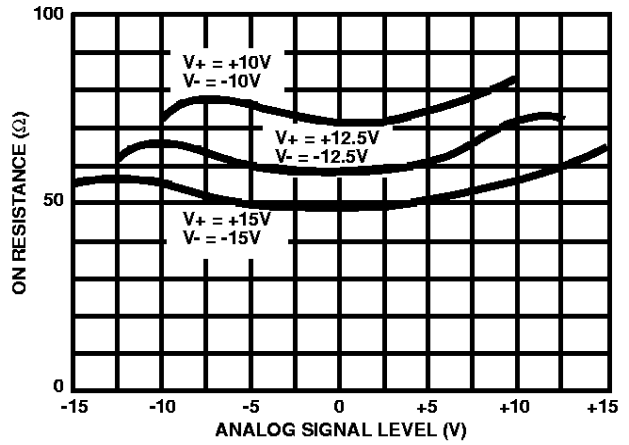


FIGURE 3. HI-201 ON RESISTANCE vs ANALOG SIGNAL LEVEL AND POWER SUPPLY VOLTAGE

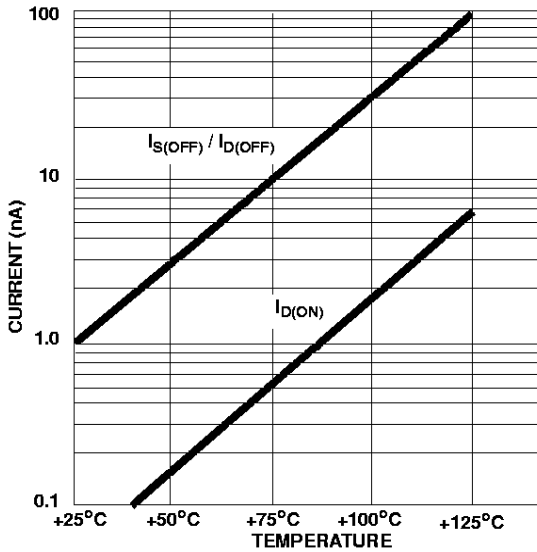


FIGURE 4A. HI-201 SWITCH LEAKAGE CURRENT vs TEMPERATURE

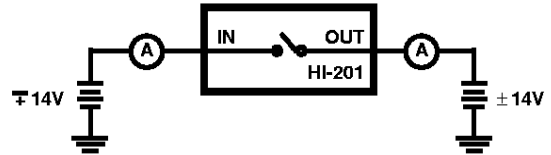


FIGURE 4B. OFF LEAKAGE CURRENT vs TEMPERATURE

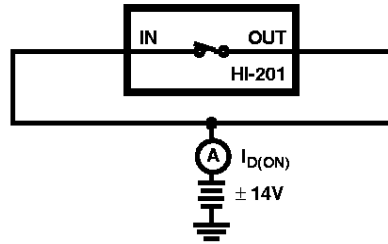


FIGURE 4C. ON LEAKAGE CURRENT vs TEMPERATURE

FIGURE 4.

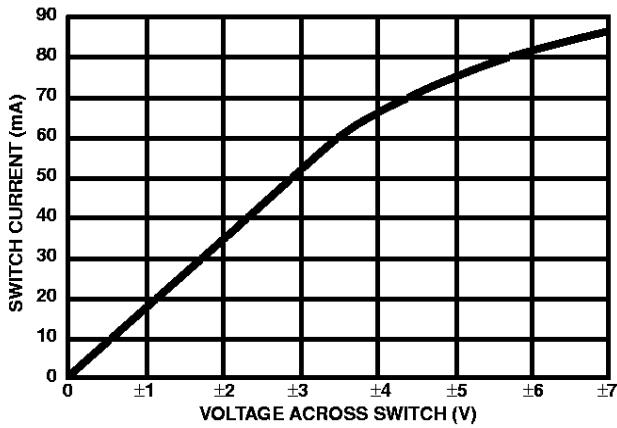


FIGURE 5A.

FIGURE 5. SWITCH CURRENT vs VOLTAGE

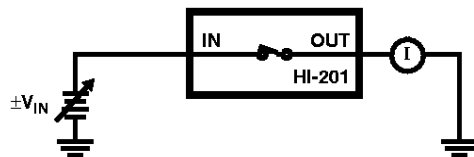


FIGURE 5B.

Switching Waveforms

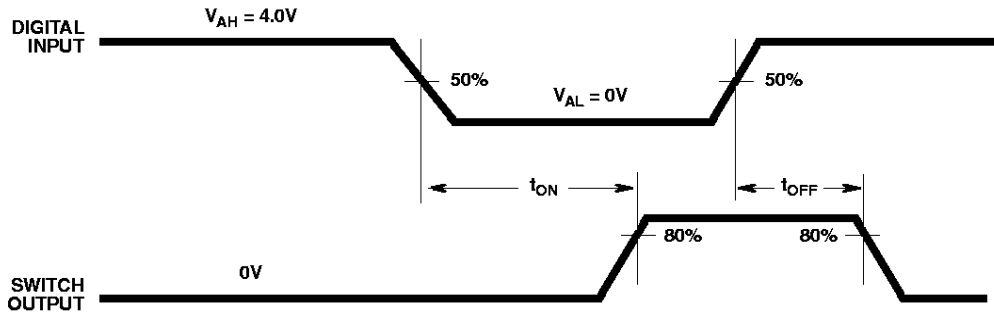


FIGURE 6. LOGIC "0" = SWITCH ON

t_{ON}, t_{OFF} (TTL INPUT), $V_{IN} = +4.0V$
 Vertical: 2V/Div.
 Horizontal: 100ns/Div.

t_{ON}, t_{OFF} (TTL INPUT), $V_{IN} = +15.0V$
 Vertical: 5V/Div.
 Horizontal: 100ns/Div.

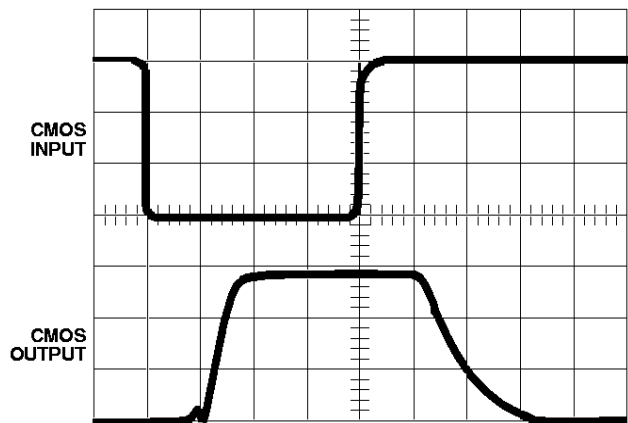
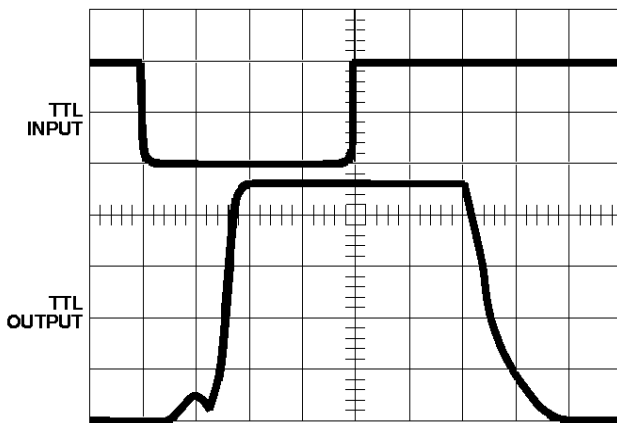


FIGURE 7. TTL INPUT

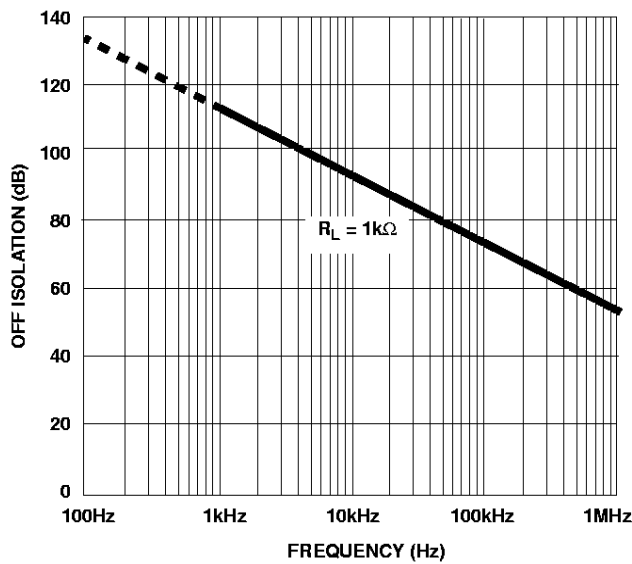


FIGURE 8. OFF ISOLATION vs FREQUENCY

For more information see Application Notes 520, 521, 531, 532 and 557.

HI-200

Die Characteristics

DIE DIMENSIONS:

54 mils x 79 mils x 19 mils

METALLIZATION:

Type: CuAL

Thickness: $16\text{k}\text{\AA} \pm 2\text{k}\text{\AA}$

GLASSIVATION:

Type: Nitride over Silox

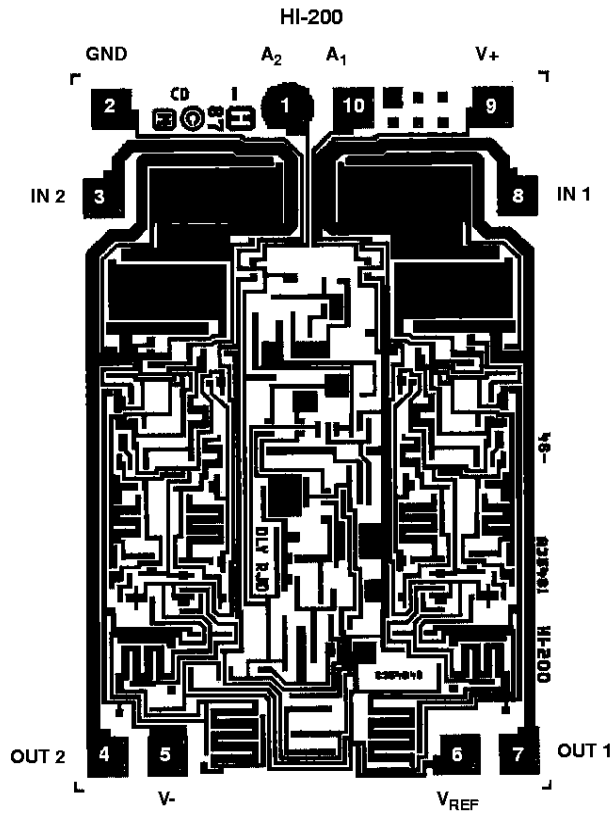
Nitride Thickness: $3.5\text{k}\text{\AA} \pm 1\text{k}\text{\AA}$

Silox Thickness: $12\text{k}\text{\AA} \pm 2\text{k}\text{\AA}$

WORST CASE CURRENT DENSITY:

$2 \times 10^5 \text{ A/cm}^2$ at 25mA

Metallization Mask Layout



Die Characteristics

DIE DIMENSIONS:

81 mils x 85 mils x 19 mils

METALLIZATION:

Type: CuAl

Thickness: $16\text{k}\text{\AA} \pm 2\text{k}\text{\AA}$

GLASSIVATION:

Type: Nitride over Silox

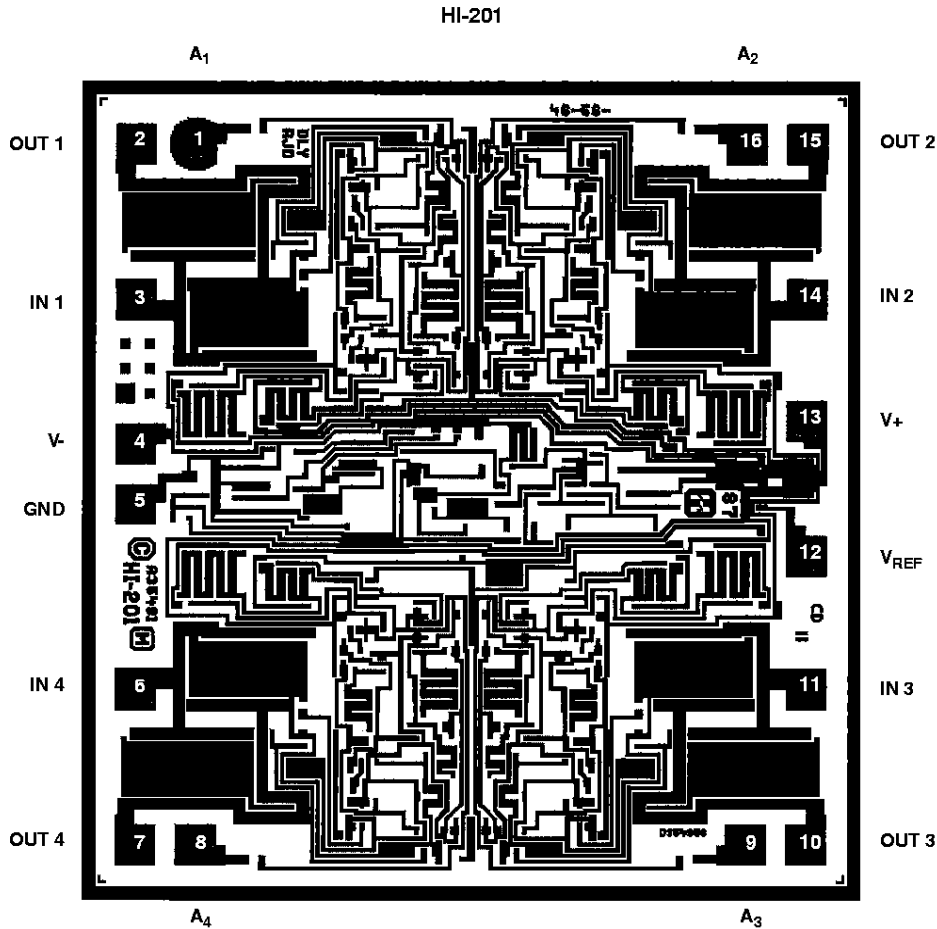
Nitride Thickness: $3.5\text{k}\text{\AA} \pm 1\text{k}\text{\AA}$

Silox Thickness: $12\text{k}\text{\AA} \pm 2\text{k}\text{\AA}$

WORST CASE CURRENT DENSITY:

$2 \times 10^5 \text{ A/cm}^2$ at 25mA

Metallization Mask Layout



All Harris Semiconductor products are manufactured, assembled and tested under ISO9000 quality systems certification.

Harris Semiconductor products are sold by description only. Harris Semiconductor reserves the right to make changes in circuit design and/or specifications at any time without notice. Accordingly, the reader is cautioned to verify that data sheets are current before placing orders. Information furnished by Harris is believed to be accurate and reliable. However, no responsibility is assumed by Harris or its subsidiaries for its use; nor for any infringements of patents or other rights of third parties which may result from its use. No license is granted by implication or otherwise under any patent or patent rights of Harris or its subsidiaries.

Sales Office Headquarters

For general information regarding Harris Semiconductor and its products, call 1-800-4-HARRIS

NORTH AMERICA
 Harris Semiconductor
 P. O. Box 883, Mail Stop 53-210
 Melbourne, FL 32902
 TEL: 1-800-442-7747
 (407) 729-4984
 FAX: (407) 729-5321

EUROPE
 Harris Semiconductor
 Mercure Center
 100, Rue de la Fusee
 1130 Brussels, Belgium
 TEL: (32) 2.724.2111
 FAX: (32) 2.724.22.05

ASIA
 Harris Semiconductor PTE Ltd.
 No. 1 Tannery Road
 Cencon 1, #09-01
 Singapore 1334
 TEL: (65) 748-4200
 FAX: (65) 748-0400

