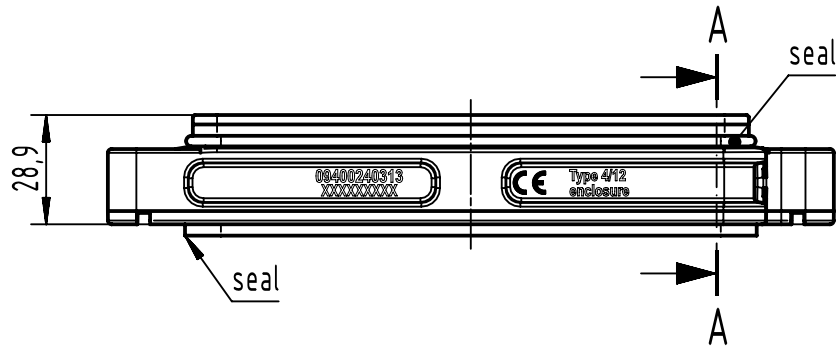
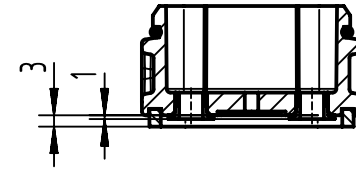


1 2 3 4 5 6

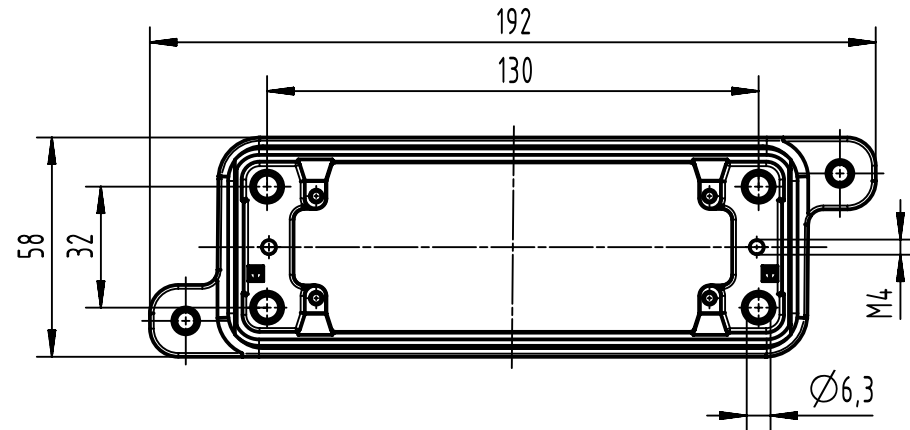
A



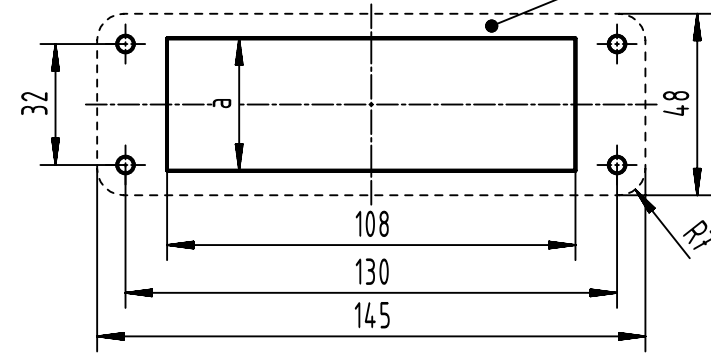
A-A



B



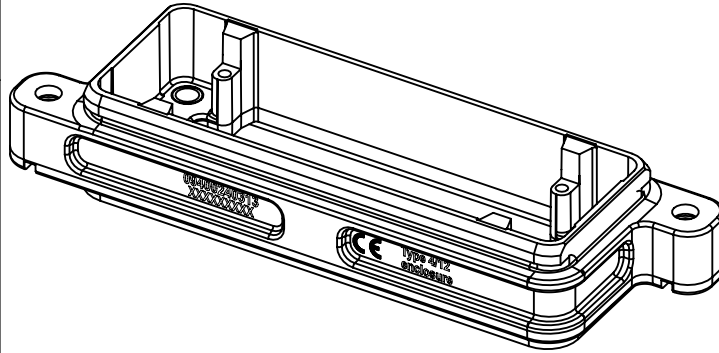
panel cut out for EMC features, conductive surface



C

application	a
standard insert	35
HC-Modular 650	44,5

D



	All Dimensions in mm Original Size DIN A4		Scale 1:2	Free size tol.		Ref.		
	All rights reserved Department EL PD		Created by SPRENB	Inspected by SUNDERMEIER	Standardisation 302077	Date 2020-11-27	State Final Release	
HARTING Electric GmbH & Co. KG D-32339 Espelkamp		Title Han 24HPR Base Panel Screw lock. seal					Doc-Key / ECM-Nr. 100217701/UGD/004/F 500000182491	
		Type TB	Number 09 40 024 0313			Rev. F	Page 1/1	