

4112 NH3

## DC axial compact fan



### ebm-papst St. Georgen GmbH & Co. KG

Hermann-Papst-Straße 1

D-78112 St. Georgen

Phone +49 7724 81-0

Fax +49 7724 81-1309

info2@de.ebmpapst.com

www.ebmpapst.com

### Nominal data

Type	4112 NH3	
Nominal voltage	VDC	12
Nominal voltage range	VDC	9 .. 15
Speed	min <sup>-1</sup>	6000
Power input	W	21.6
Min. ambient temperature	°C	-20
Max. ambient temperature	°C	65
Air flow	m <sup>3</sup> /h	310
Sound power level	B	7.2
Sound pressure level	dB(A)	65

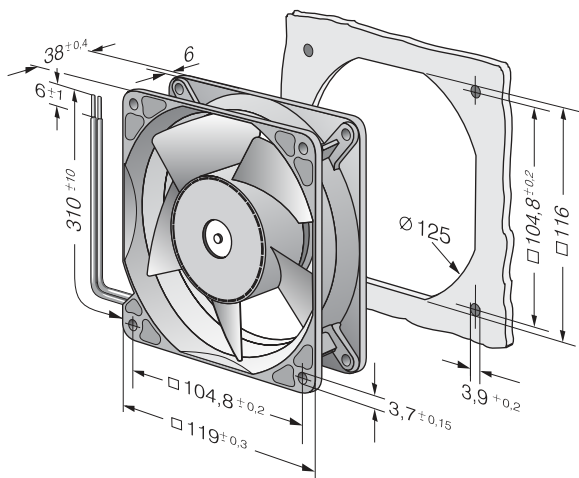
ml = max. load · me = max. efficiency · rfa = running at free air · cs = customer specs · cu = customer unit  
Subject to alterations



## Technical features

<b>Dimensions</b>	119 x 119 x 38 mm
<b>General description</b>	<p>Particular design features:</p> <p>Very rigid compression curve for high air flow at high counterpressure.</p> <p>Low operating noise level at high counterpressure.</p> <p>Optional Vario-Pro: Highly flexible software configuration for the fan ensures an easily customisable solution to meet the individual requirements of your application.</p> <p>General features:</p> <p>Housing made of aluminium, impeller made of fibreglass-reinforced PA; housing with grounding lug for M4 x 8 screw (Torx).</p> <p>Electronic commutation completely integrated.</p> <p>Protected against reverse polarity and locking.</p> <p>Connection via single strands AWG 22, UL1007, TR 64, bared and tin-plated</p> <p>Air inlet over bars. Rotational direction clockwise looking at rotor.</p> <p>Mass: 390 g.</p>
<b>Connection line</b>	Single strands AWG 22, UL 1007, TR 64, bared and tin-plated.
<b>Direction of rotation</b>	Clockwise, looking at rotor
<b>Direction of air flow</b>	Inlet over bars
<b>Bearing</b>	Ball bearings
<b>Lifetime L10 at 40 °C</b>	65000 h
<b>Lifetime L10 at maximum temperature</b>	37500 h
<b>Mass</b>	0.390 kg
<b>Housing material</b>	Aluminum with grounding lug for screw M4 x 8 (TORX).
<b>Material of impeller</b>	Fiberglass-reinforced PA plastic
<b>Motor protection</b>	Protected against reverse polarity and locking.
<b>Approval</b>	CE

## Product drawing



Charts: Air flow

