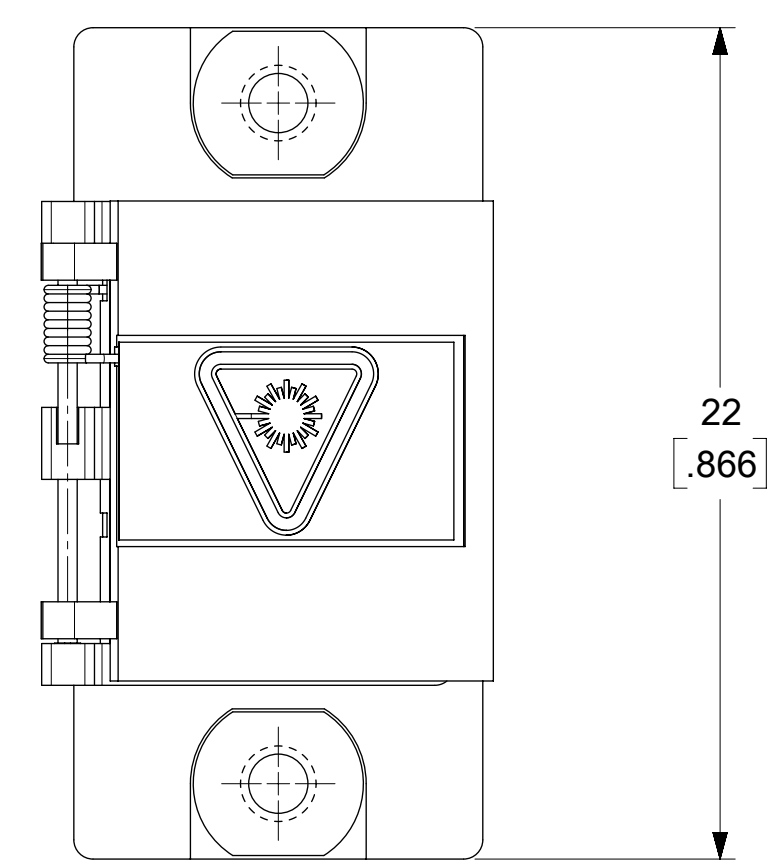
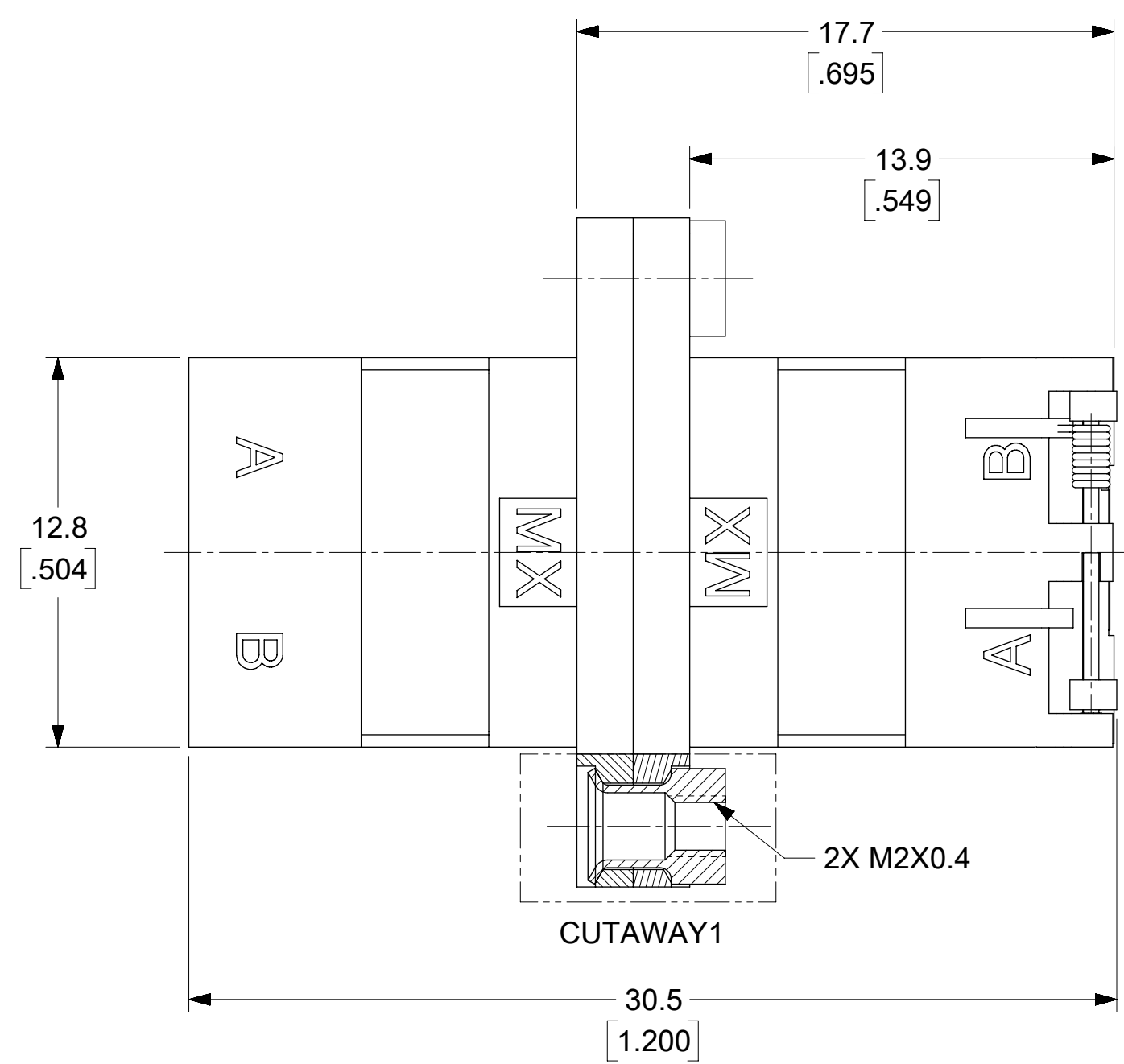
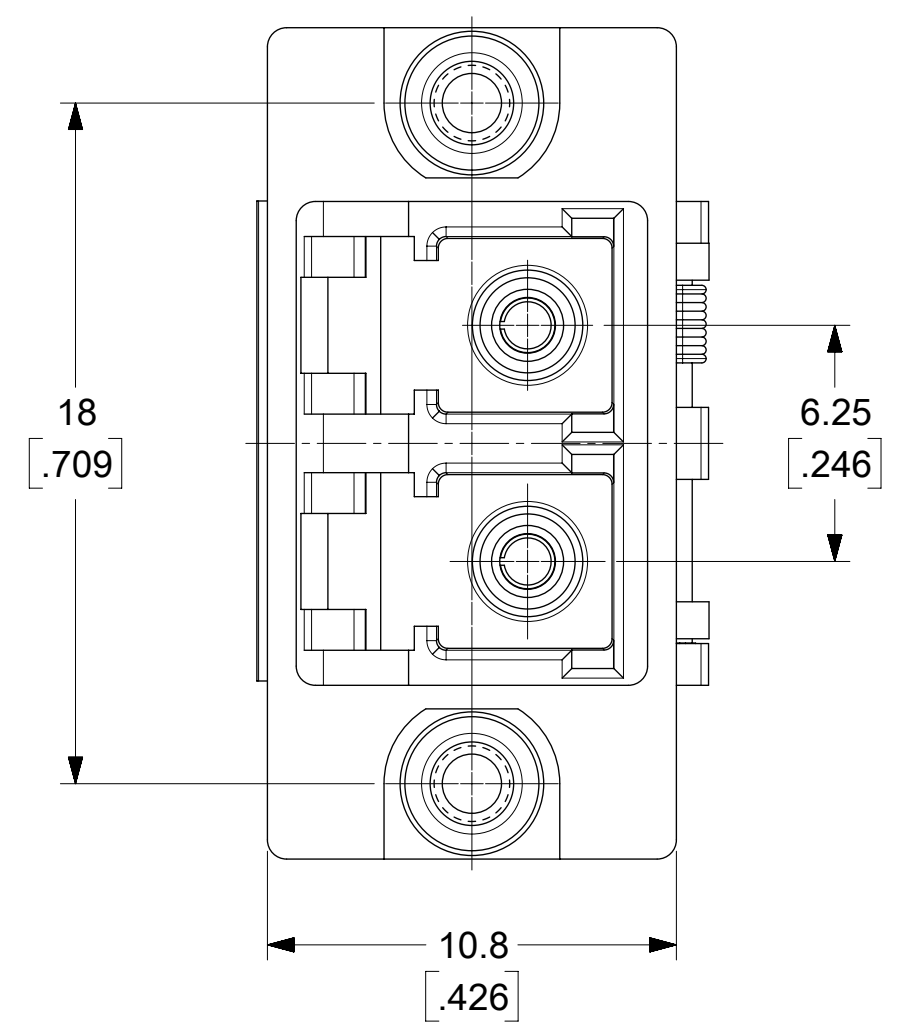
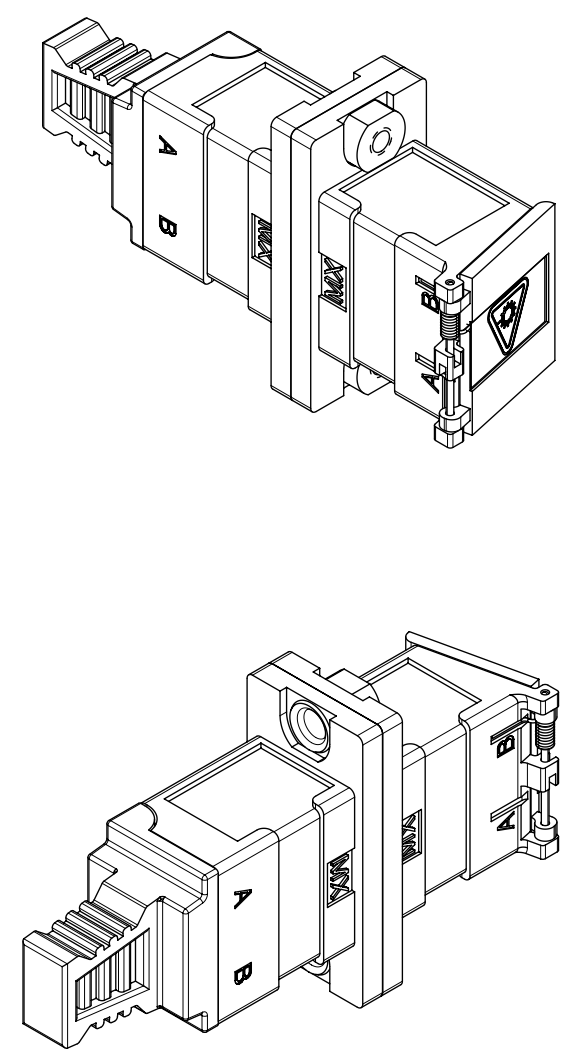
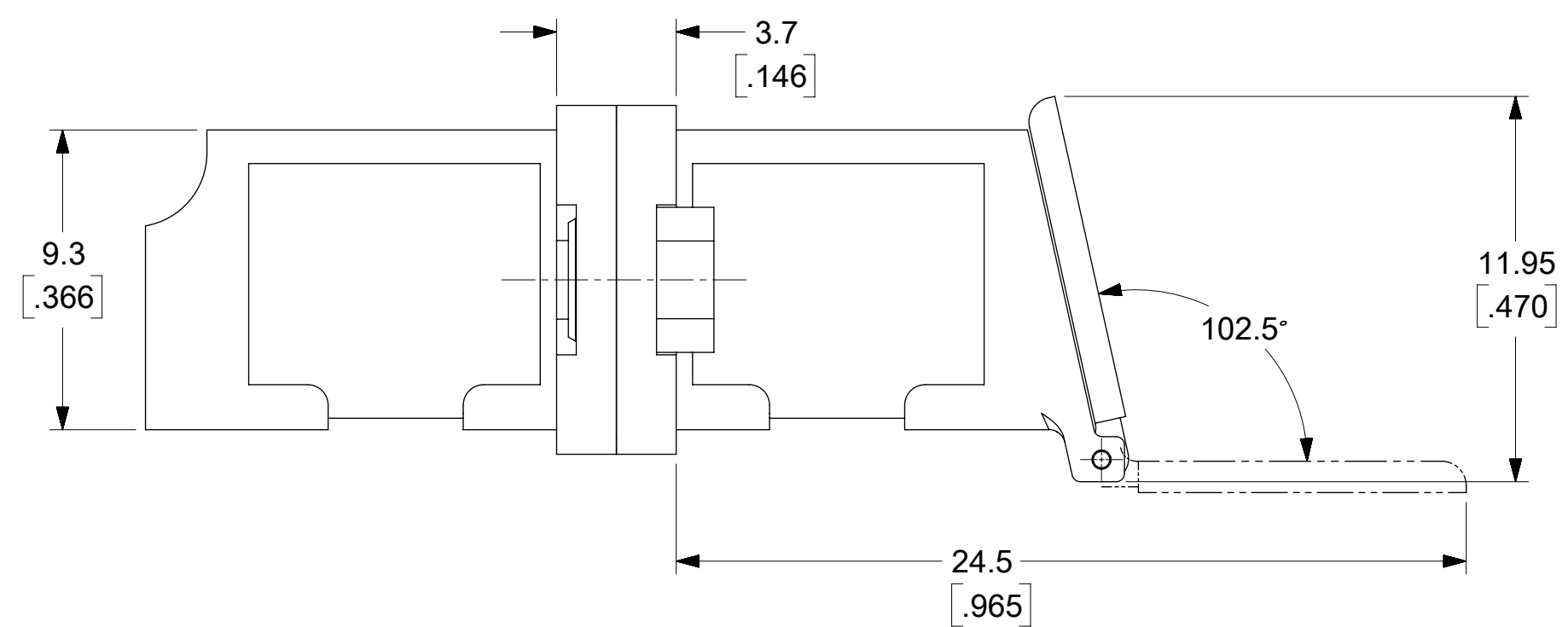


RECOMMENDED MOUNTING PANEL CUTOUT



- NOTES:
1. ALL DIMENSIONS ARE FOR REFERENCE ONLY.
 2. DUST CAP IS SHOWN IN ISOMETRIC VIEW ONLY.
 3. SPLIT SLEEVE MATERIAL: PHOSPHOR BRONZE.
 4. ADAPTERS TO BE PACKAGED IN TRAY.

THIS DRAWING CONTAINS INFORMATION THAT IS PROPRIETARY TO MOLEX ELECTRONIC TECHNOLOGIES, LLC AND SHOULD NOT BE USED WITHOUT WRITTEN PERMISSION											
DIMENSION UNITS		SCALE		CURRENT REV DESC: MIGRATED TO NX						molex	
MM/INCH		5:1									
GENERAL TOLERANCES (UNLESS SPECIFIED)				EC NO: 619398		2019/03/19		METAL LC DUPLEX ADAPTER W/SHUTTER PHOSPHOR BRONZE SLEEVE			
ANGULAR TOL ± 0.5°				DRWN: IGUMIN		2019/07/04					
4 PLACES ±				CHK'D: WCHEN		2019/07/04		PRODUCT CUSTOMER DRAWING			
3 PLACES ±				APPR: WCHEN		2019/07/04					
2 PLACES ±				INITIAL REVISION:				DOCUMENT NUMBER			
1 PLACE ±				DRWN: SMIGO		2009/12/17					
0 PLACES ±				APPR: BANDREI		2010/08/19		PSD		001	
DRAFT WHERE APPLICABLE MUST REMAIN WITHIN DIMENSIONS				THIRD ANGLE PROJECTION		DRAWING					
				C-SIZE		106127		1061271990		GENERAL MARKET	
										1 OF 1	