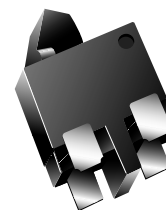


## 2mm Size Detector Switches, Type 2N

Type: **ESE22**



Mounting height: 1.9mm, SMD, wiping contact construction with leaf spring, reflow soldering applicable, embossed taping available.

### ■ Features

- Light operating force: 300 N (31 gf) max.
- Highly reliable through our own self-wiping leaf spring contact construction
- Extremely thin profile and lightweight SMD

### ■ Recommended Applications

- Detection of mechanical position mode for headphone stereos, camcorders, MD players

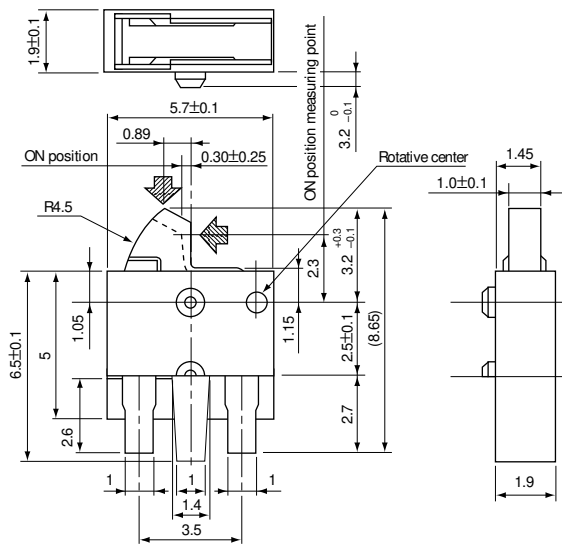
### ■ Major Specifications

Rating	10 mA 5 V DC (resistive load)	Mounting height	1.9mm
Operating force	300 mN (31 gf) max.	Poles and positions	1-pole, 1-position

### ■ Dimensions in mm (not to scale)

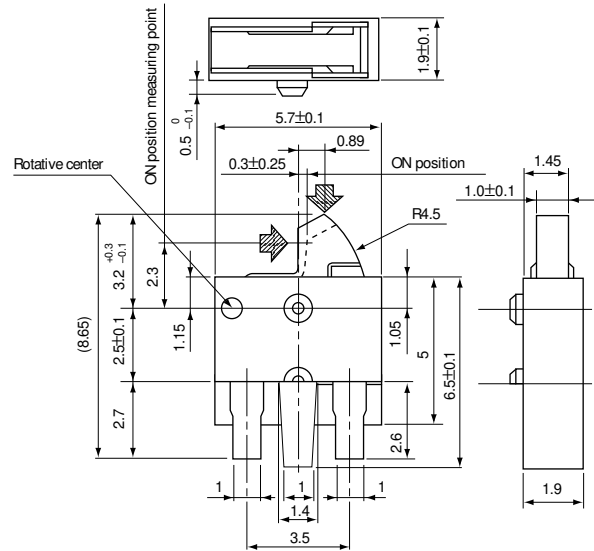
#### Type A

Part No.	Packaging
ESE22MH1	Bulk packaging
ESE22MH2	Embossed taping



#### Type B

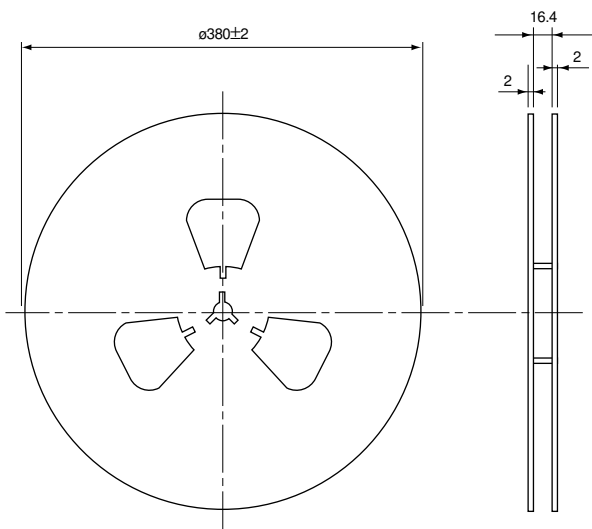
Part No.	Packaging
ESE22MH3	Bulk packaging
ESE22MH4	Embossed taping



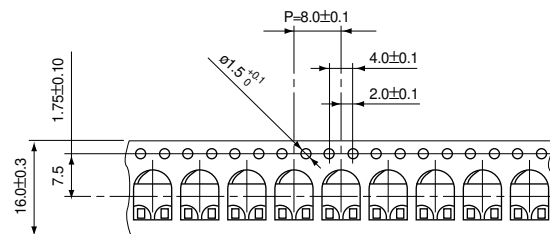
### ■ Packaging Methods

Standard Reel Dimensions in mm (not to scale)

#### Taping Reel



#### Embossed Carrier Taping



#### Standard Packaging Quantity

Part No.	Packaging
ESE22MH2	4,000 pcs.
ESE22MH4	4,000 pcs.