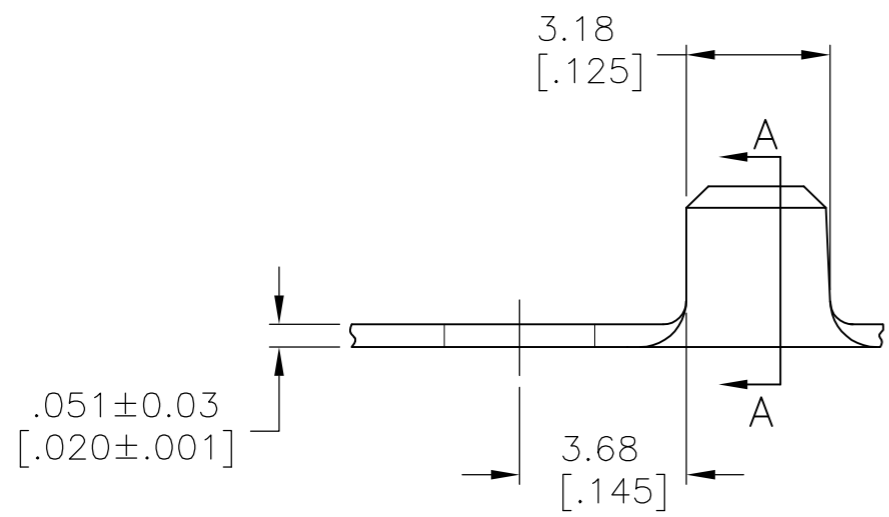
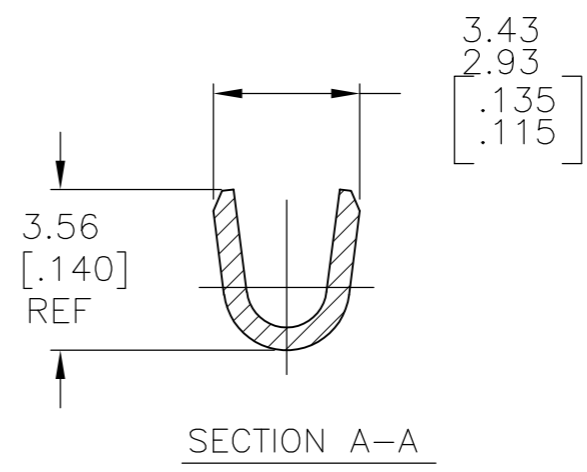
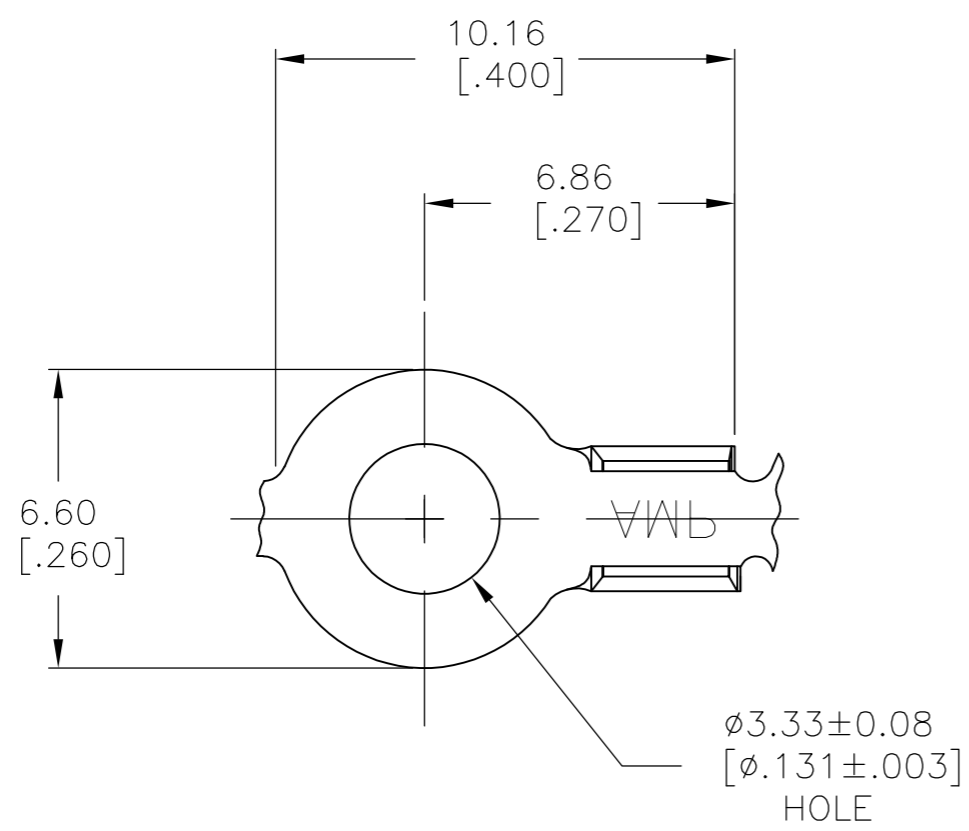


THIS DRAWING IS UNPUBLISHED. RELEASED FOR PUBLICATION
 © COPYRIGHT BY TYCO ELECTRONICS CORPORATION. ALL RIGHTS RESERVED.

LOC	DIST	REVISIONS			
P	LTR	DESCRIPTION	DATE	DWN	APVD
AF	50	E1	REVISED PER ECR-07-030301	19MAY08	HMR JR

1 CONTINUOUS STRIP ON REELS



0.5-1.4mm ² [#20-#16]	63243-1
WIRE RANGE	PART NO

THIS DRAWING IS A CONTROLLED DOCUMENT.		DWN RAGHAVENDRA 19MAY2008	Tyco Electronics Corporation Harrisburg, PA 17105-3608	
DIMENSIONS: mm [INCHES]	TOLERANCES UNLESS OTHERWISE SPECIFIED:	CHK JEFF RUTH 19MAY2008	NAME	
	0 PLC ± -	APVD JEFF RUTH 19MAY2008	RING	
	1 PLC ± -	PRODUCT SPEC	SIZE CAGE CODE DRAWING NO RESTRICTED TO	
MATERIAL	2 PLC ± -	APPLICATION SPEC	A3 00779 C-63243	
	3 PLC ± 0.38 [.015]	WEIGHT	SCALE 6:1 SHEET 1 OF 1 REV E1	
FINISH	4 PLC ± -	CUSTOMER DRAWING		
TIN OVER COPPER	ANGLES ± -			