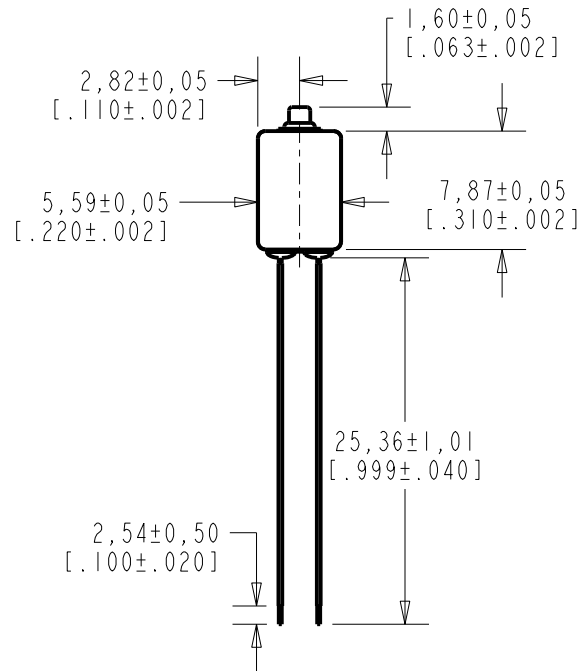


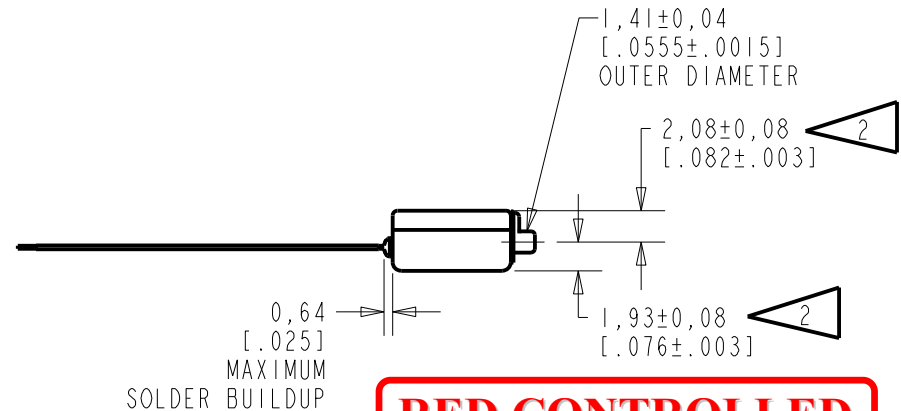
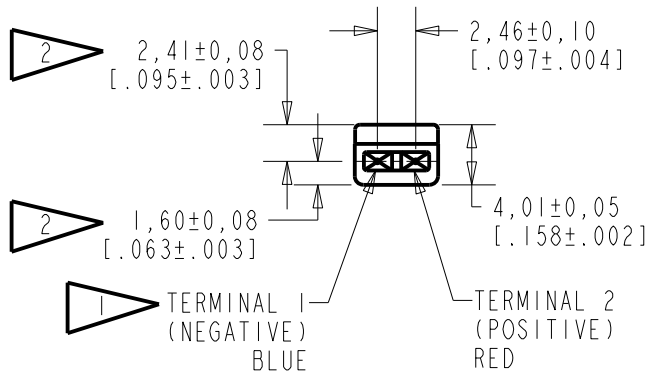
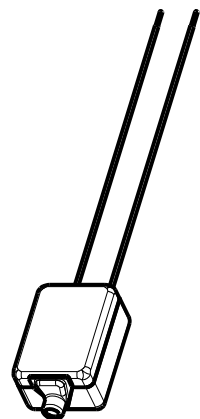
FEF-27351-PI6

SHT 1.1



NOTES:

- 1 A POSITIVE GOING VOLTAGE AT TERMINAL 2, RELATIVE TO TERMINAL 1, CAUSES AN DECREASE IN PRESSURE AT THE SOUND OUTLET.
- 2 LOCATED FROM TWO SURFACES FOR CUSTOMER CONVENIENCE, ONLY APPLICABLE FROM ONE SURFACE, NOT TO BE USED TOGETHER. HORIZONTAL LOCATION FOR TERMINAL CENTERED TO $\pm 0,17$ [.007].



RED CONTROLLED

NOMINAL WEIGHT
.71 GRAM

DIMENSIONS IN MILLIMETERS [INCHES]

Revision	C.O. #	Implementation Date	RELEASE LEVEL	REVISION
A	C40101124	10-8-12	Active	A

SCALE:	2:1	DR. BY	DATE
DO NOT SCALE DRAWING		LW	10-8-12
TITLE:	RECEIVER	CK. BY	DATE
OUTLINE DRAWING	FEF-27351-PI6	GJP	10-11-12
	SHT 1.1	APP. BY	DATE
		GJP	10-11-12

KNOWLES ELECTRONICS
ITASCA, ILLINOIS U.S.A.

NOTES:

1. UNITS ARE TESTED AS INDIVIDUAL RECEIVERS. FOR THESE SPECIFICATIONS SEE FEF-23751-104, SHEET 2.1.

RED CONTROLLED

Revision	C.O. #	Implementation Date	RELEASE LEVEL	REVISION
			Active	A
A	C40101124	10-8-12		

WHEN TEST LIMITS ARE USED TO ESTABLISH INCOMING INSPECTION ACCEPTANCE/REJECTION CRITERIA, CORRELATION OF TEST EQUIPMENT WITH KNOWLES IS ALSO REQUIRED FOR ELIMINATION OF EQUIPMENT AND TEST METHOD VARIATION		DR. BY LW	DATE 10-8-12
TITLE: RECEIVER PERFORMANCE SPECIFICATION		CK. BY GJP	DATE 10-11-12
		APP. BY GJP	DATE 10-11-12

KNOWLES ELECTRONICS
ITASCA, ILLINOIS U.S.A.

FEF-27351-P16
SHT 2.1

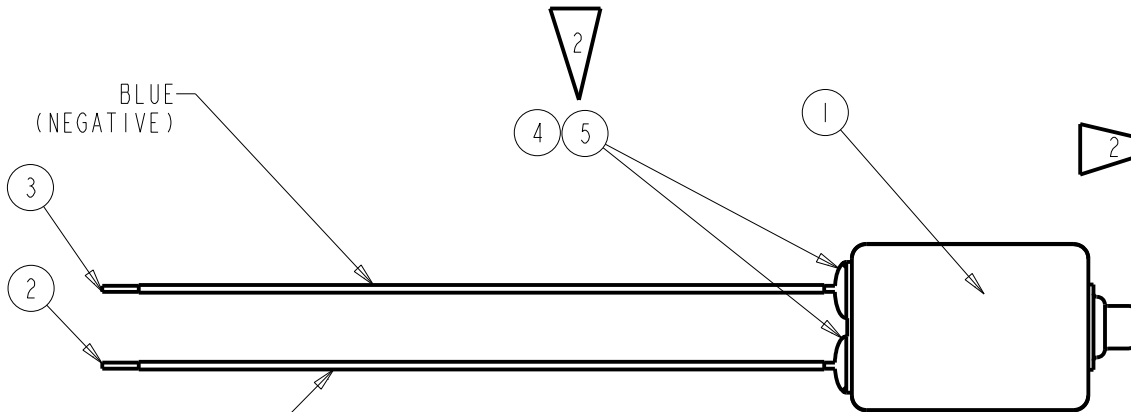
PROPRIETARY NOTE: THIS DOCUMENT CONTAINS INFORMATION WHICH IS THE PROPRIETARY PROPERTY OF KNOWLES ELECTRONICS, LLC. OR ITS AFFILIATED ENTITIES. IT IS ISSUED IN STRICT CONFIDENCE AND SHALL NOT BE REPRODUCED, COPIED, USED, OR DISCLOSED TO ANY THIRD PARTY PARTIALLY OR WHOLLY IN ANY MANNER WITHOUT PRIOR WRITTEN PERMISSION OF, AND MUST BE RETURNED UPON REQUEST BY, KNOWLES ELECTRONICS, LLC.

FEF-27351-P16

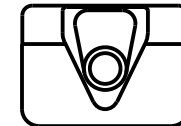
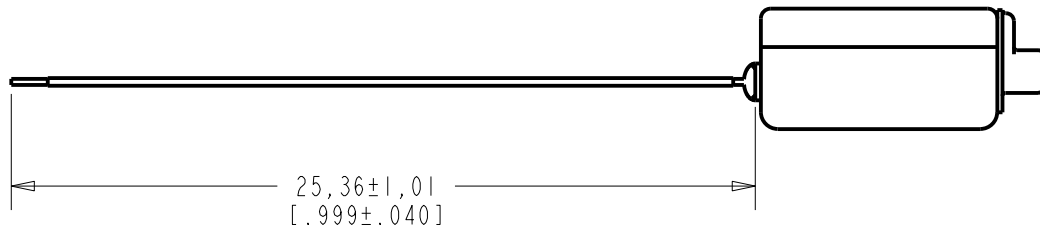
NOTES:

1. ITEM NUMBERS (SHOWN THUS ) ON DRAWING CORRESPOND WITH ITEM NUMBERS ON BILL OF MATERIAL.

 COVER SOLDER COMPLETELY WITH CEMENT, ITEM 5.



RED (POSITIVE)



DIMENSIONS IN MILLIMETERS [INCHES]

RELEASE LEVEL	REVISION
Active	A

MATERIAL SEE BILL OF MATERIAL

FINISH ---

SCALE: 4:1

DO NOT SCALE DRAWING

REF.	A	c.o.	C40101124	NONE	RED CONTROLLED

UNLESS OTHERWISE SPECIFIED, DIMENSIONS ARE IN INCHES.

THIRD ANGLE PROJECTION



KNOWLES ELECTRONICS
ITASCA, ILLINOIS U.S.A.

TITLE

RECEIVER ASSEMBLY

FEF-27351-P16

SHEET 3.1

FEF-27351-P16			KNOWLES ELECTRONICS ITASCA, ILLINOIS U.S.A.			FEF-27351-P16		
Sheet 4.1			Subject: RECEIVER ASSEMBLY			Sheet 4.1		
Dr.	By	Date	Revision A			Release Level		
Ch.	GJP	10-11-12						
App.	GJP	10-11-12						
COL. 1						2		
Part or Dwg. no.			Tot. Req.			Nomenclature:		
FEF-27351-104			1			RECEIVER ASSEMBLY		
FG-035-2			A/R			WIRE		
FG-035-4			A/R			WIRE		
285-007-001			A/R			SOLDER LEAD FREE		
021-0425			A/R			GREEN PROTECTIVE LACQUAR		
Applicable Specs or Remarks			Item No.			Line No.		

COL. 1			2			3			4		
Part or Dwg. no.			Tot. Req.			Nomenclature:			Applicable Specs or Remarks		
FEF-27351-104			1			RECEIVER ASSEMBLY					
FG-035-2			A/R			WIRE					
FG-035-4			A/R			WIRE					
285-007-001			A/R			SOLDER LEAD FREE					
021-0425			A/R			GREEN PROTECTIVE LACQUAR					

REVISION
A c.o. C40101124

RED CONTROLLED

FEF-27351-P16
Sheet 4.1

PROPRIETARY NOTE: THIS DOCUMENT CONTAINS INFORMATION WHICH IS THE PROPRIETARY PROPERTY OF KNOWLES ELECTRONICS, LLC. OR ITS AFFILIATED ENTITIES. IT IS ISSUED IN STRICT CONFIDENCE AND SHALL NOT BE REPRODUCED, COPIED, USED, OR DISCLOSED TO ANY THIRD PARTY PARTIALLY OR WHOLLY IN ANY MANNER WITHOUT PRIOR WRITTEN PERMISSION OF, AND MUST BE RETURNED UPON REQUEST BY, KNOWLES ELECTRONICS, LLC.

REF: 100-PART-00-PMW-REV: 0

PRODUCTION TEST INFORMATION

SEE FEF-27351-104 SHEET 5.1 FOR TEST REQUIREMENTS.

RED CONTROLLED

Revision	C.O. #	Implementation Date	RELEASE LEVEL	REVISION
			Active	A
A	C40101124	10-8-12		

KNOWLES ELECTRONICS ITASCA, ILLINOIS U.S.A.	WHEN TEST LIMITS ARE USED TO ESTABLISH INCOMING INSPECTION ACCEPTANCE/REJECTION CRITERIA, CORRELATION OF TEST EQUIPMENT WITH KNOWLES IS ALSO REQUIRED FOR ELIMINATION OF EQUIPMENT AND TEST METHOD VARIATION	DR. BY LW	DATE 10-8-12	
	TITLE: RECEIVER PERFORMANCE SPECIFICATION	FEF-27351-P16 SHT 5.1	CK. BY GJP	DATE 10-11-12
			APP. BY GJP	DATE 10-11-12