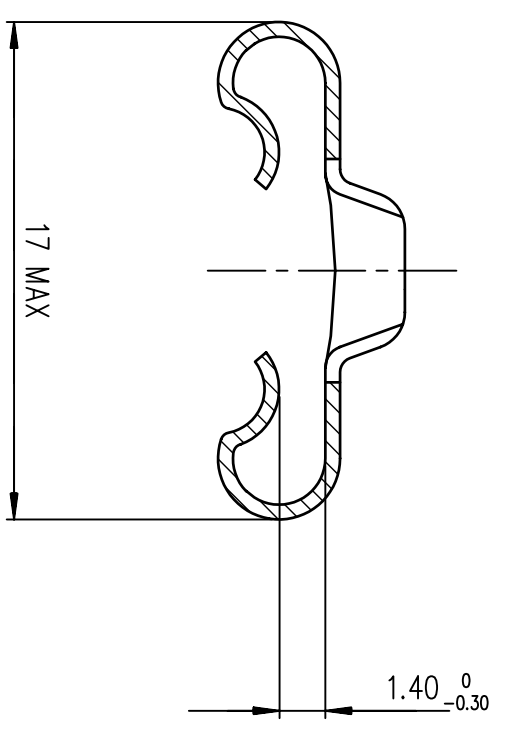
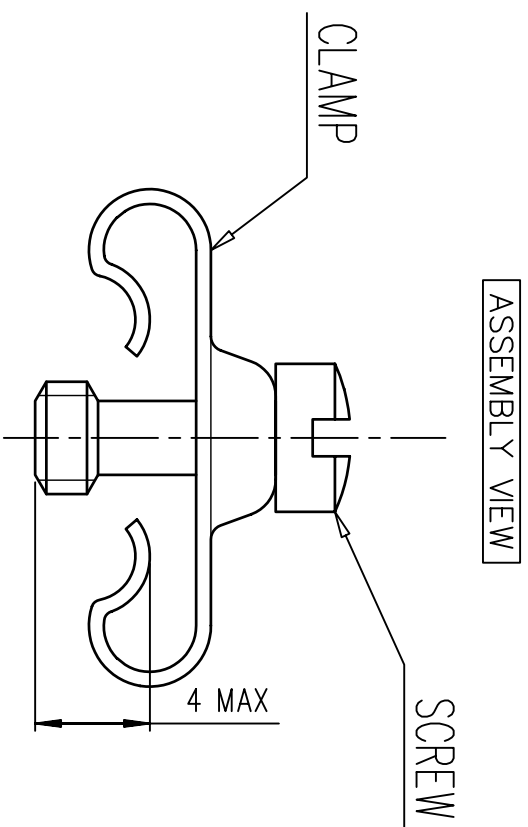
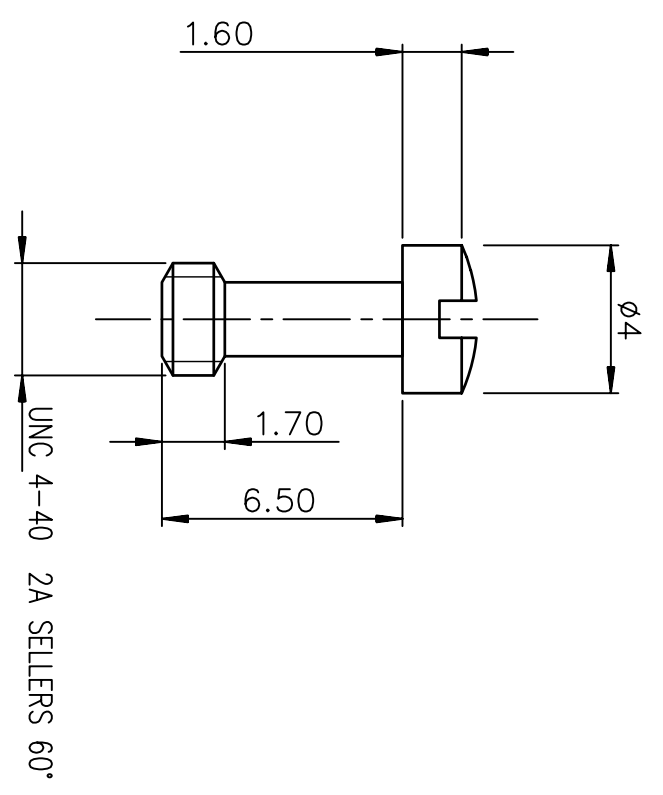


NOTES
 Pieces assembly
 Packaging : per 100 pieces
 Material : steel
 Plating : tin
 Thread : UNC 4.40



Part number **863015ATLF**

European Views

surface	ISO 1302	tolerance std	ISO 406 ISO 1101	projection	mm
TOLERANCES UNLESS OTHERWISE SPECIFIED		TOLERANCES UNLESS OTHERWISE SPECIFIED		size	Scale
ANGULAR	0.X	LINEAR	0.XX	A3	5
0.XX' ±2	0.XXX	±0.1	±0.1	ECN	ELX-H-0116886

Dr	BART	2004/02/26	Product family	D-SUB
Eng	PESSON	2004/02/26		
Chr	ABHILASH	2011/01/25		
Appr	SUDHIR	2011/01/25		

www.fciconnect.com		MALE SCREW LOCKS		C01-8655-1588	
SHELL 50		D SUB ACCESSORIES		CUSTOMER sheet 1 of 1	

rev	ecn no	dr	date
A	-	BAR	2004/02/26
B	LS05-0026	MPE	2005/07/08
C	LS06-0097	LGO	2006/07/28
D	LS09-0006	PCR	2009/01/08
E	I11-0022	AMR	2011/01/25
F	ELX-H-011686	PK	2012/05/09
G	ELX-H-011686	PK	2012/05/21

NOTE: ROHS INFORMATIONS

- The "LF" products meet European union Directives and other country regulations as described in GS-22-008.
- Plating Sn (pure bright) over copper
- Packaging spec: see GS-14-920