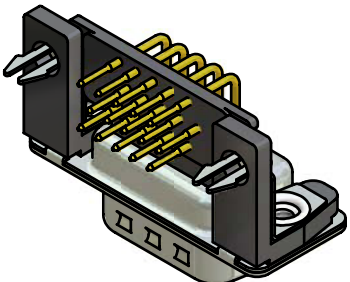
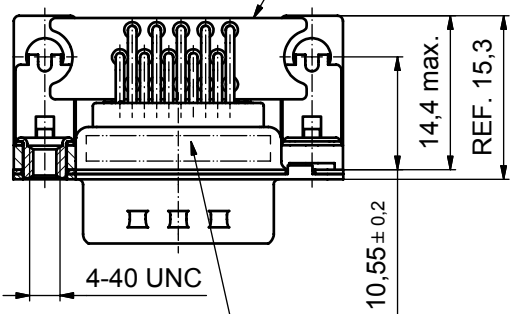
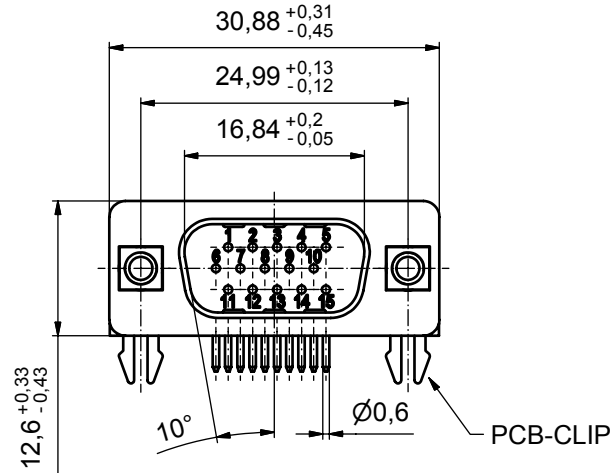
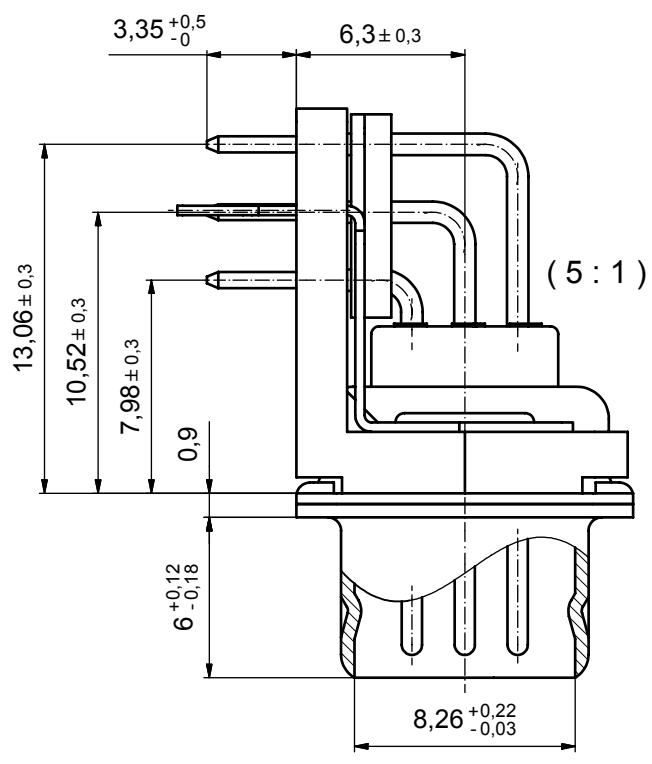


P.C.B. HOLE DRILLINGS



NOTES:

- METALSHELLS: STEEL; min. 315µin TIN OVER 40-80µin NICKEL
- INSULATORS: PBT GF UL 94 V-0, BLACK
- CONTACTS: COPPER ALLOY  
PLATING: 8µin HARD GOLD OVER min. 50µin NICKEL
- MOUNTING-BRACKET: PBT GF UL 94 V-0, BLACK
- THREADED INSERT: COPPER ALLOY; min. 200µin TIN OVER 80µin NICKEL
- GROUNDING CLIP: COPPER ALLOY; min. 200µin TIN over 80µin NICKEL  
PCB-HOLE: ø3.1 ± 0.1; PCB THICKNESS 1.6mm
- FIXING-PLATE: PBT GF UL 94 V-0, BLACK
- MAXIMUM TORQUE VALUE FOR THREAD: 6 in.LB
- CONNECTOR IS PART MARKED: 163A20489X CONEC ABC

Directive 2002/95/EC  
RoHS  
Compliant

APPROVAL # FREIGABE # DEBLOCAGE # AUTORIZACION # APPROVAL	
CUSTOMER APPROVAL DATE:	
NAME:	TITLE:
COMPANY NAME:	
APPROVAL # FREIGABE # DEBLOCAGE # AUTORIZACION # APPROVAL	

THIS DRAWING MAY NOT BE COPIED OR REPRODUCED IN ANY WAY, AND MAY NOT BE PASSED ON TO A THIRD PARTY WITHOUT WRITTEN PERMISSION. OWNERSHIP AND COPYRIGHT OF CONEC GmbH			
DO NOT ALTER CAD DRAWING BY HAND			
rev.	description	date	name
a	Origin		

tolerance	dim. in mm
date	name
drawn	02.02.07 Lehmenkühler
appd.	05.02.07 Mickenbecker
norm	
d-old	
<b>CONEC</b>	

scale:	2:1 (5:1)	
material:	SEE NOTES	
title:	D-SUB HD MALE 90° 15pos. 0.350inch threaded insert, mounting bracket, grounding clip	
dwg no:	Inventor 10	DIN-A3
	16K1A1980	sh: 1
part no:	163A20489X	