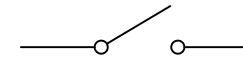
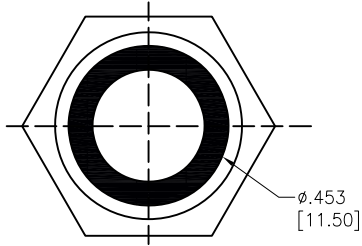


APPROVED: _____

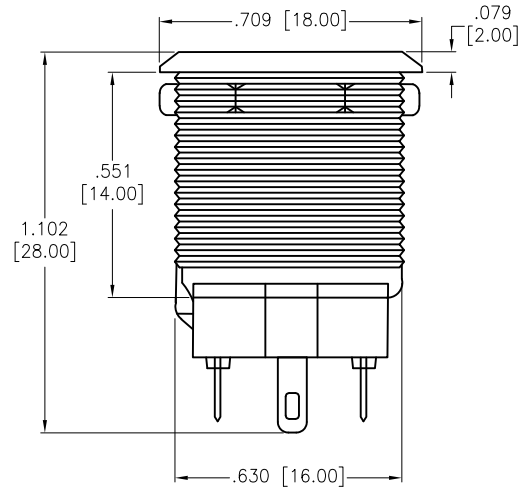
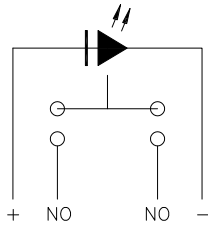
DATE: _____ TITLE: _____

Rev	AWO #	Description	Date	Appr
-		RELEASED	11/20/20	
A		UPDATE SPEC.	8/12/21	JJ/RC



CIRCUIT DIAGRAM
(SPST) ON-OFF

SW-PB7-1Z-A-RX-H-X-G2



	LED Color
Blank	Standard Black
W	White
R	Red
G	Green
Y	Yellow (Amber)
B	Blue
O	Orange
S	Silver
RG	Red/Green
RY	Red/Yellow
RB	Red/Blue
RW	Red/White
GB	Green/Blue
RGB	Red/Green/Blue
RGY	Red/Green/Yellow
RGW	Red/Green/White
RBV	Red/Blue/Yellow
RBW	Red/Blue/White

	LED Voltage
1	3V
2	6V
3	12V
4	24V
5	48V
6	110V
7	220V

SPECIFICATIONS:

Material:
Brass
Electrical:
Voltage rating: 3-220V
Contact resistance: 30 mΩ max
Electrical Life: 50,000 cycles min
Environmental:
Lead free, RoHS compliant



UNLESS OTHERWISE SPECIFIED ALL DIMENSIONS ARE INCHES [MM]. TOLERANCES: EXCEPT AS NOTED

INCHES		HOLES	
.X	± .10	∅.X	± .10
.XX	± .020	∅.XX	± .015
.XXX	± .015	∅.XXX	± .010



909 Rahway Avenue,
Union, NJ 07083
Phone: 908-687-5000
Fax: 908-687-5710

DRAWN	OW	11/20/20
CHECKED	AC	11/20/20
APPROVED		

TITLE
SWITCH, ANTI-VANDAL SWITCH, SPST, 16MM
LATCHING, SOLDER TYPE, RING ILLUMINATED

THIS DRAWING CONTAINS INFORMATION THAT IS PROPRIETARY AND SHOULD NOT BE USED WITHOUT PRIOR WRITTEN PERMISSION FROM ADAM TECH

SIZE	PART NO.	REV.
X	SW-PB7-1Z-A-RX-H-X-G2	-
REF:	S00204C	SCALE: NTS SHEET 1 OF 1