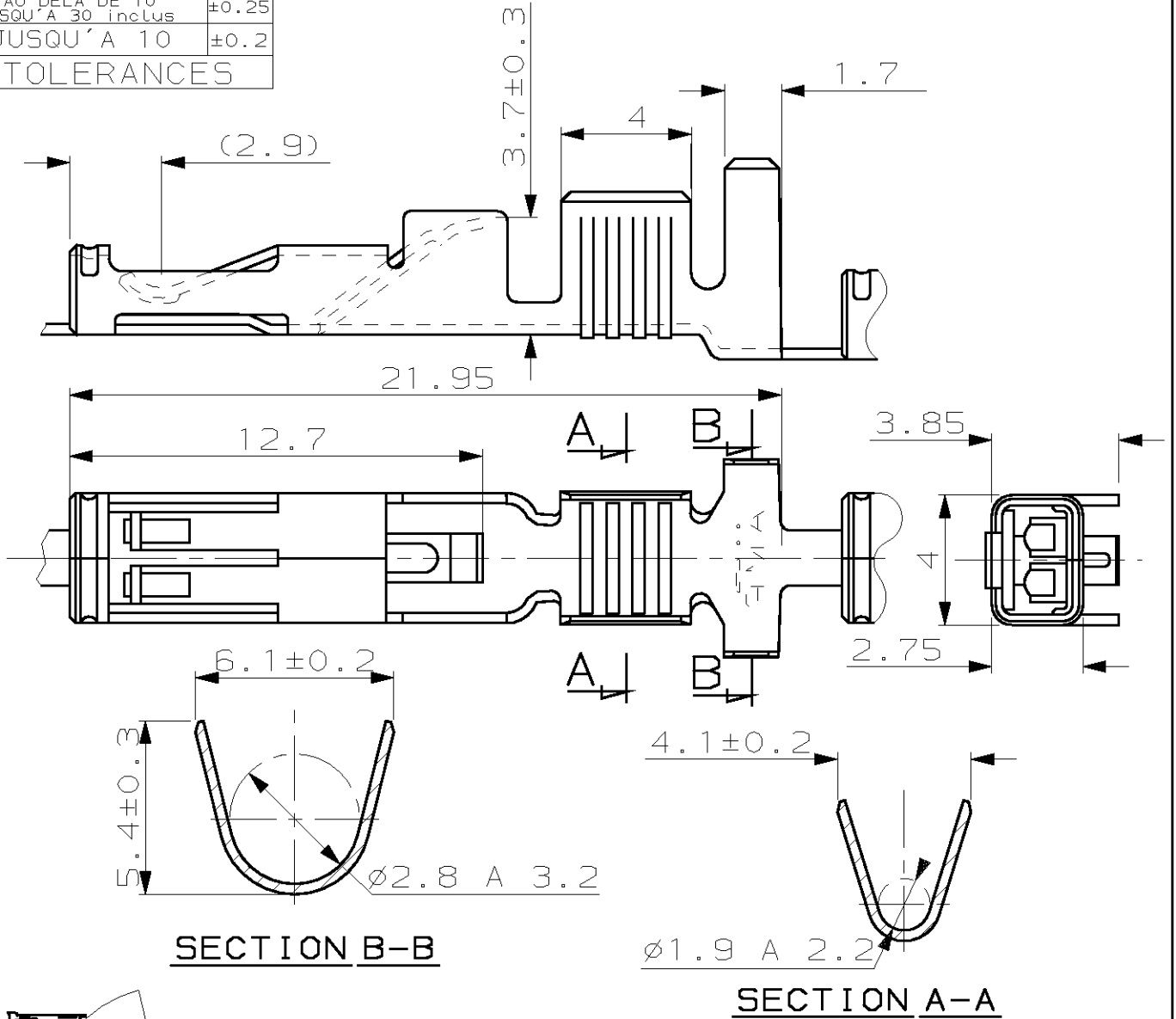


LOC	DIST	REVISIONS					
F	7	P	LTR REV	DESCRIPTION MODIFICATIONS	DATE	DWN DESS.	APVD APP.
			C	PREFIXE 2 AJOUTE	28-FEB-03	RP	-
			N	PREFIXE 2 AJOUTE+INDICE REV. EC EXPRESS	12-NOV-03	RP	-

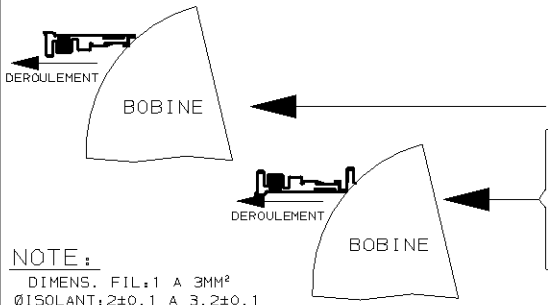
AU DELA DE 30 JUSQU'A 100 inclus	±0.3
AU DELA DE 10 JUSQU'A 30 inclus	±0.25
JUSQU'A 10	±0.2
TOLERANCES	

PAS; 23.75



SECTION B-B

SECTION A-A



NOTE:
DIMENS. FIL: 1 A 3MM²
ØISOLANT: 2±0.1 A 3.2±0.1

2-142185-1	LAITON (pre-etame)	142316-1
142185-4	LAITON (brut)	142316-4
142185-3	LAITON (post-etame)	142316-3
142185-2	BRONZE (pre-etame)	142316-2
142185-1	LAITON (pre-etame)	142316-1
REF. BANDE	MATIERE	REF. VRAC

DIMENSIONS:	DWN/DESSINE	28-FEB-03
mm	Remi PATIN	
	CHK/VERIFIE	28-FEB-03
	JP PICAUD	
	APVD/APPROUVE	28-FEB-03
	J DAHER	
	PRODUCT SPEC	
	SPEC. PRODUIT	
	APPLICATION SPEC	
	SPEC. APPLICATION	
	WEIGHT	
	MASSE APPROX.	

MATERIAL	FINISH	OBSERVATION
MATIERE	EP 0.32	FINITION
TYCO ELECTRONICS FRANCE SAS BP 39, 95301 CERGY-PONTOISE CEDEX		
NAME		
TITRE		
CLIP MIC 1		
SIZE	CAGE CODE	DRAWING NO
FORMAT	A4	00779
		C-142185
RESTRICTED TO		
-		

CUSTOMER DRAWING/PLAN CLIENT	UNIQUEMENT	SCALE	SHEET	OF	REV
	POUR REFERENCE	ECHELLE 5:1	FEUILLE 1	DE 1	N

RELEASED FOR PUBLICATION

THIS DRAWING IS UNPUBLISHED. DIFFUSION RESEINTE AMP

BY TYCO ELECTRONICS CORP. ALL RIGHTS RESERVED. TOUS DROITS RESERVES.

© COPYRIGHT