



### Main

Range of Product	Modicon M171
Product or Component Type	Display module
Display colour	Monochrome
Supply	External source

### Complementary

Display Type	LCD screen
Number of key	8
Color	Gray
[Us] rated supply voltage	12 V DC
Power consumption in W	5 W 0 W
Marking	CE
Realtime clock	With
Local signalling	LCD display
Product Compatibility	Logic controller M171 optimized
Height	6.30 in (160 mm)
Width	3.78 in (96 mm)
Depth	0.39 in (10 mm)
Net Weight	0.04 lb(US) (0.017 kg)

### Environment

Product Certifications	cURus
IP degree of protection	Front face IP40

### Ordering and shipping details

Category	22537 - M171 / M172 HVAC CONTROLLERS
Discount Schedule	PC12
GTIN	3606480752636
Nbr. of units in pkg.	1
Package weight(Lbs)	10.08 oz (285.9 g)
Returnability	No
Country of origin	IT

### Packing Units

Unit Type of Package 1	PCE
Package 1 Height	5.12 in (13 cm)
Package 1 width	3.58 in (9.1 cm)
Package 1 Length	7.28 in (18.5 cm)
Unit Type of Package 2	S02

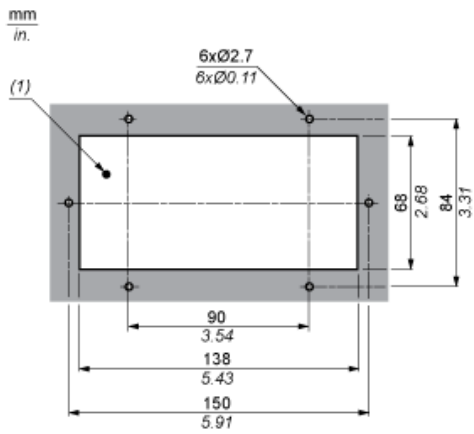
Number of Units in Package 2	6
Package 2 Weight	4.45 lb(US) (2.02 kg)
Package 2 Height	5.91 in (15 cm)
Package 2 width	11.81 in (30 cm)
Package 2 Length	15.75 in (40 cm)

## Offer Sustainability

California proposition 65	WARNING: This product can expose you to chemicals including: Lead and lead compounds, which is known to the State of California to cause cancer and birth defects or other reproductive harm. For more information go to <a href="http://www.P65Warnings.ca.gov">www.P65Warnings.ca.gov</a>
REACH Regulation	<a href="#">REACH Declaration</a>
REACH free of SVHC	Yes
EU RoHS Directive	Pro-active compliance (Product out of EU RoHS legal scope) <a href="#">EU RoHS Declaration</a>
Mercury free	Yes
RoHS exemption information	<a href="#">Yes</a>
China RoHS Regulation	<a href="#">China RoHS Declaration</a>
WEEE	The product must be disposed on European Union markets following specific waste collection and never end up in rubbish bins.

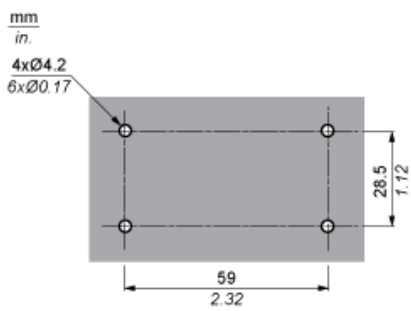
Mounting and Clearance

Panel Mounting

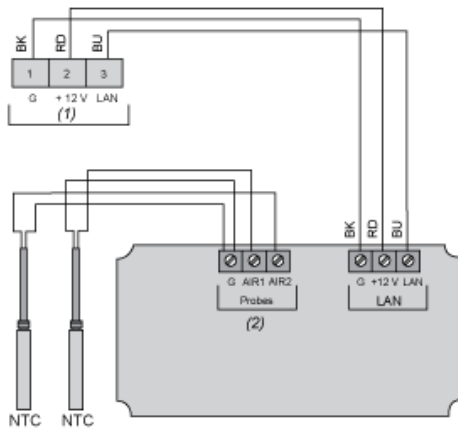


(1) Panel cut out

Wall Mounting

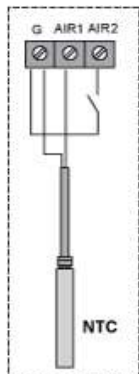


Wiring Diagram

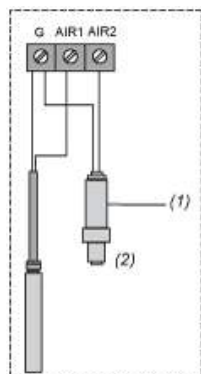


- (1) LAN Expansion bus
- (2) Analogue Inputs
- RD : Red
- BU : Blue
- BK : Black

Example NTC and Digital Input



Ex. Transducer



- (1) Power supply
- (2) Example Transducer