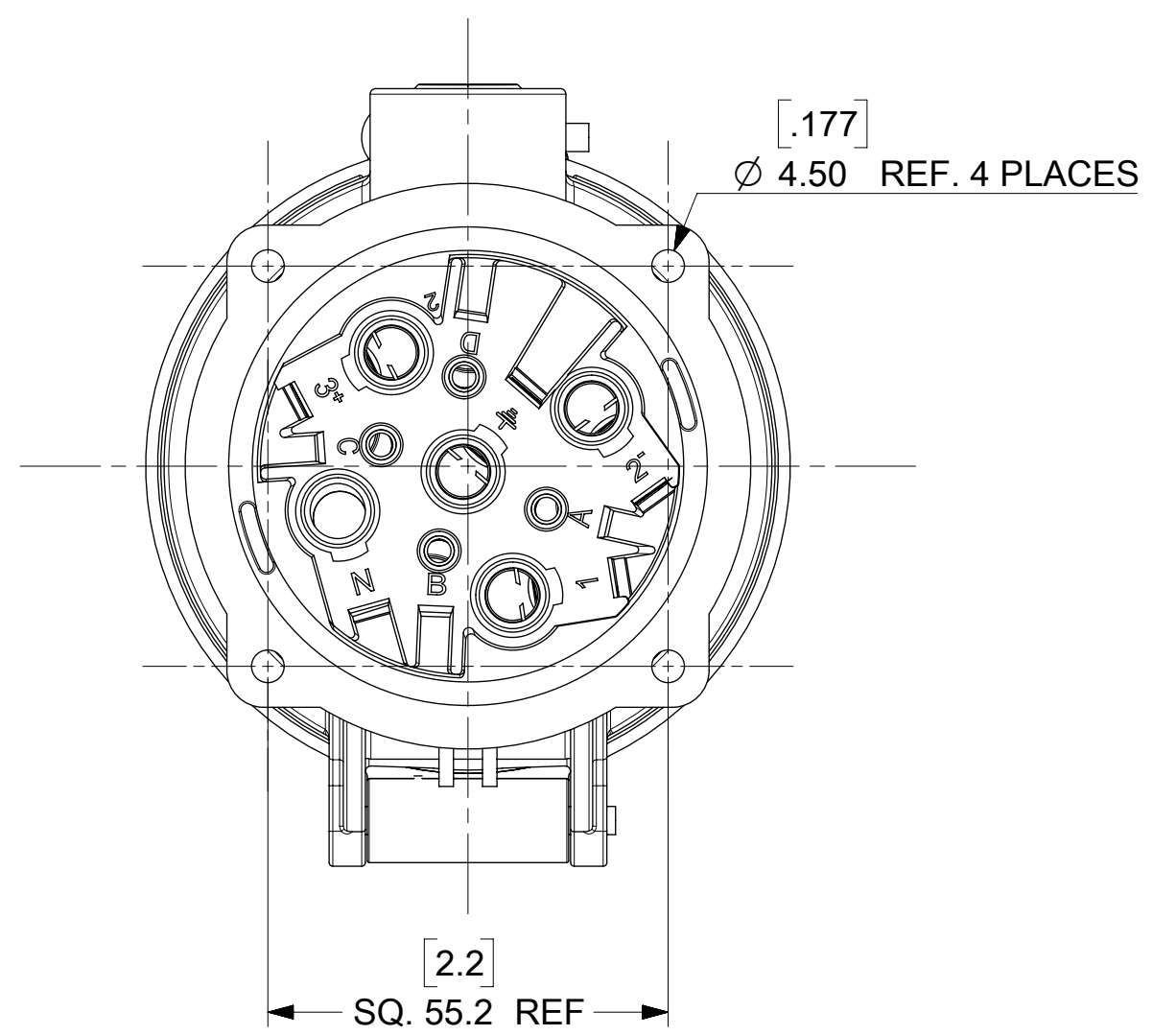
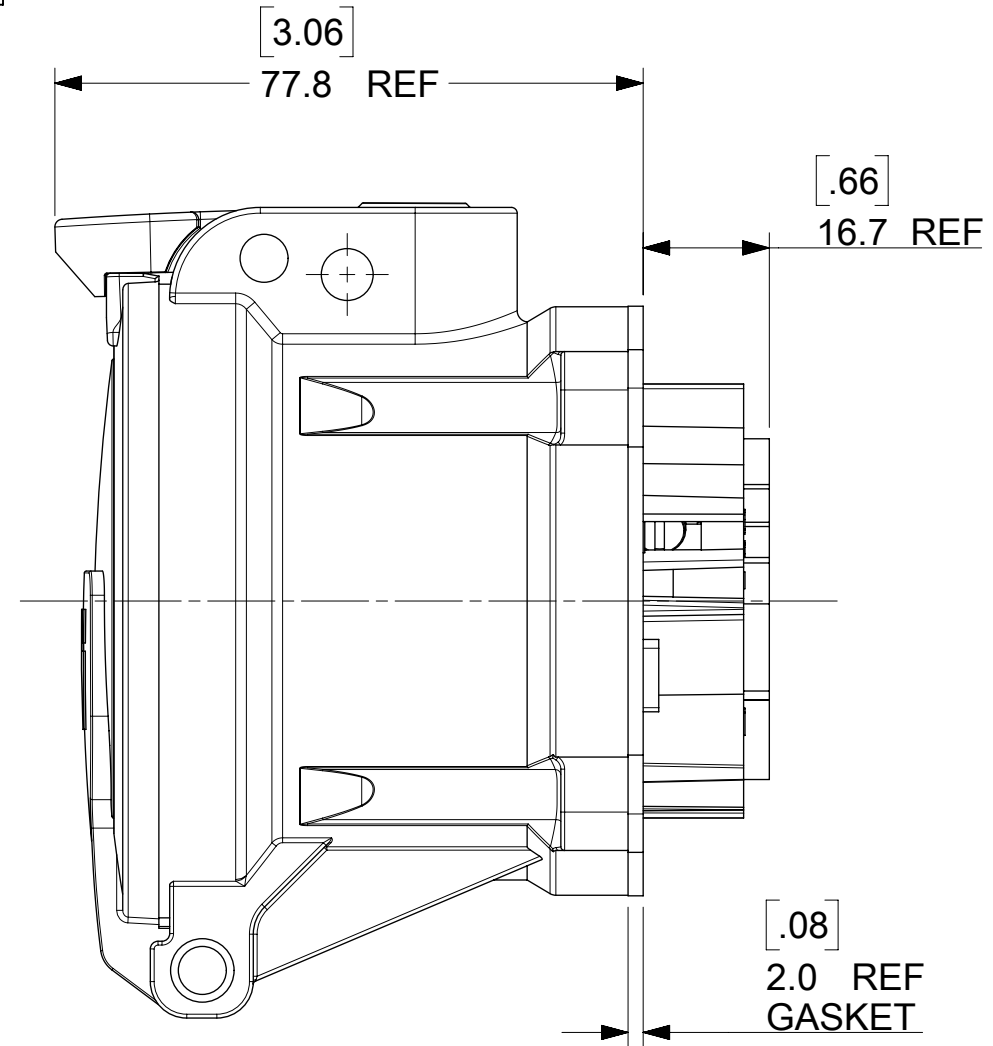
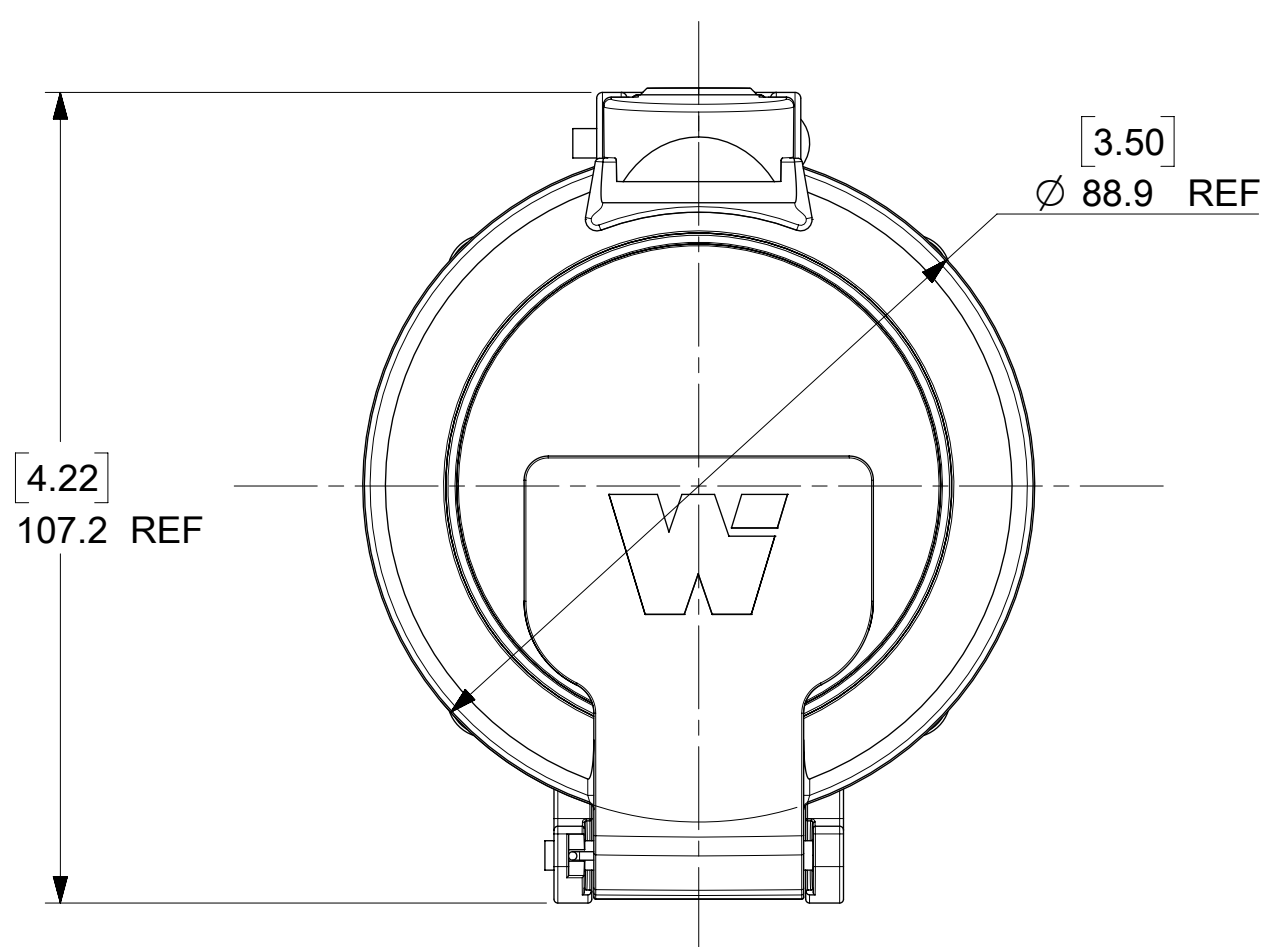
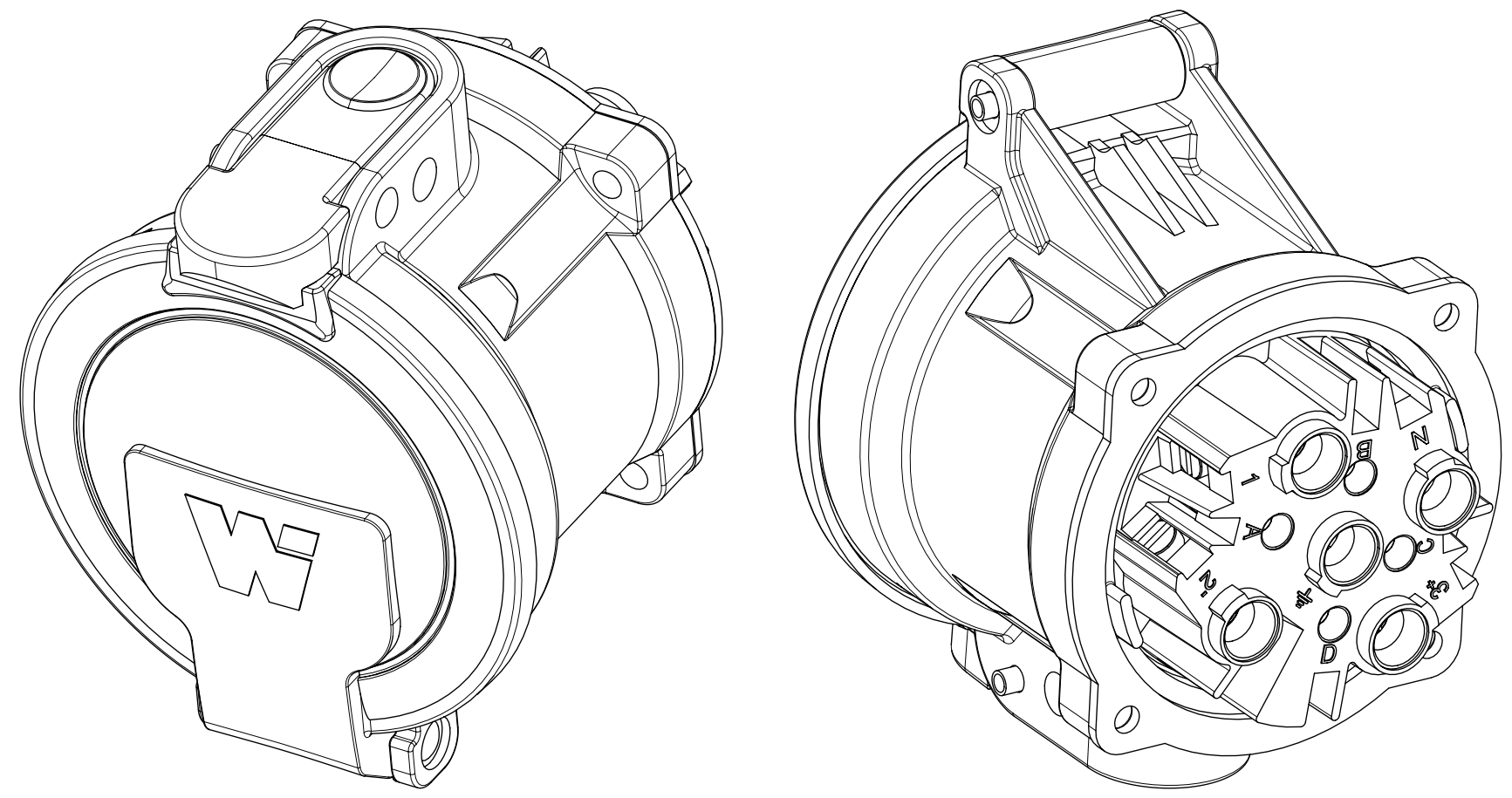


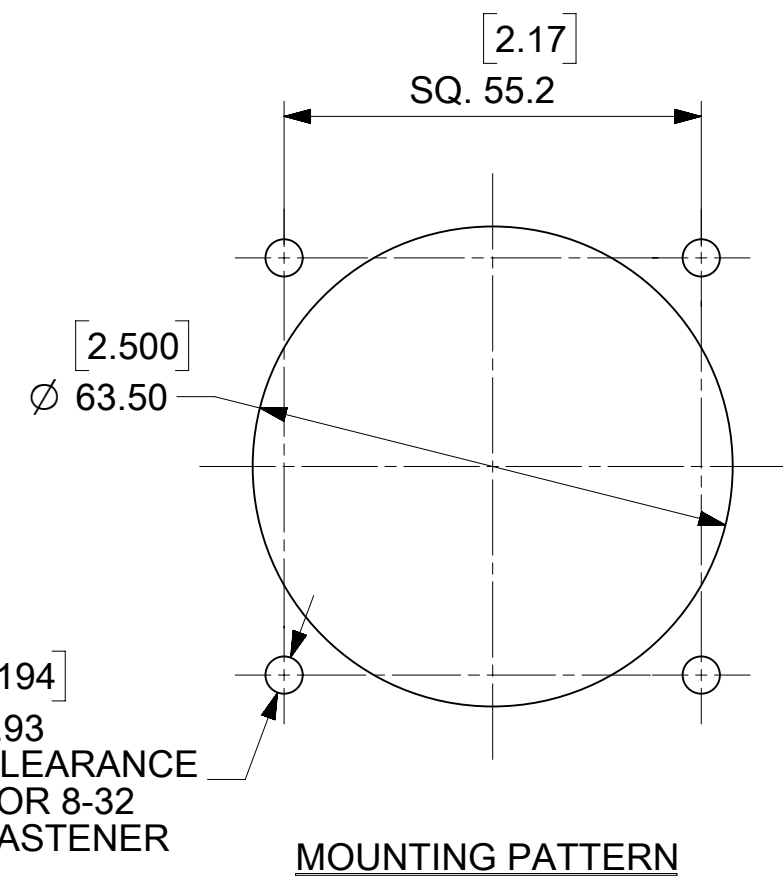
MATERIAL NUMBER	ENGINEERING NUMBER	DESCRIPTION	INSULATOR KEYING POSITION	HORSEPOWER RATING
1122170001	ARC60FA01	ARC 60A F 125VAC 1P+N+G	7	2 HP
1122170002	ARC60FB02	ARC 60A F 250VAC 2P+G		3 HP
1122170003	ARC60FB03	ARC 60A F 250VAC 3P+G		7.5 HP
1122170004	ARC60FAB04	ARC 60A F 125/250VAC 2P+N+G		NA
1122170005	ARC60FC02	ARC 60A F 208VAC 2P+G	16	NA
1122170006	ARC60FC03	ARC 60A F 208VAC 3P+G		7.5 HP
1122170007	ARC60FAC05	ARC 60A F 120/208VAC 3P+N+G		NA
1122170008	ARC60FD01	ARC 60A F 277VAC 1P+N+G	4	NA
1122170009	ARC60FE02	ARC 60A F 480VAC 2P+G		NA
1122170010	ARC60FE03	ARC 60A F 480VAC 3P+G		20 HP
1122170011	ARC60FDE05	ARC 60A F 277/480VAC 3P+N+G		NA
1122170012	ARC60FF02	ARC 60A F 600VAC 2P+G	14	NA
1122170013	ARC60FF03	ARC 60A F 600VAC 3P+G		20 HP
1122170014	ARC60FGF05	ARC 60A F 347/600VAC 3P+N+G		NA



NOTES:

MATERIALS:
 HOUSINGS AND INSULATORS: GLASS FILLED PBT
 CONTACTS: COPPER ALLOY WITH A SILVER NICKEL TIP, SILVER PLATED
 MOUNTING AND INTERFACE GASKETS: SILICONE

RATINGS:
 CURRENT: 60 AMPS
 VOLTAGE AND HORSEPOWER: SEE TABLE
 AMBIENT OPERATING TEMPERATURE: -25°C (-13°F) TO 60°C (140°F)
 (WITH MAX. 30°C RISE ABOVE AMBIENT)
 ENVIRONMENTAL: NEMA TYPE 4X & IP69K
 WIRING CAPACITY: 10 AWG MIN. TO 4 AWG MAX.
 TORQUE TERMINAL SCREWS TO 1.7 Nm (15 in-lbs)
 AGENCY: UL LISTING PENDING
 SCREW RATED RECEPTACLE/CONNECTOR
 BRANCH CIRCUIT DISCONNECT SWITCH
 MOTOR CIRCUIT DISCONNECT SWITCH IF HP RATED



LASER MARKING FOR REF ONLY
 REFER TO TABLE FOR PART NUMBER INFORMATION

ELECTRICAL & ENVIRONMENTAL RATINGS	Woodhead® ARC60FE03	ENGINEERING NO.	ARC60FE03 SHOWN
	60A, 480VAC, 3Φ 20HP, TYPE 4X, IP69K		
WORK ORDER NO.	SWITCH RATED RECEPTACLE/CONNECTOR *WOXXXXXXXXXX	DATE OF MANUFACTURER	

THIS DRAWING CONTAINS INFORMATION THAT IS PROPRIETARY TO MOLEX ELECTRONIC TECHNOLOGIES, LLC AND SHOULD NOT BE USED WITHOUT WRITTEN PERMISSION																															
DIMENSION UNITS		SCALE		CURRENT REV DESC: GENERAL MARKET RELEASE																											
MM/INCH		1:1		<table border="0"> <tr> <td colspan="4">molex</td> </tr> <tr> <td colspan="4">60A ARC ARREST RECEPTACLE / CONNECTOR</td> </tr> <tr> <td colspan="4">PRODUCT CUSTOMER DRAWING</td> </tr> <tr> <td>DOCUMENT NUMBER</td> <td>DOC TYPE</td> <td>DOC PART</td> <td>REVISION</td> </tr> <tr> <td>1122170010</td> <td>PSD</td> <td>000</td> <td>A2</td> </tr> </table>								molex				60A ARC ARREST RECEPTACLE / CONNECTOR				PRODUCT CUSTOMER DRAWING				DOCUMENT NUMBER	DOC TYPE	DOC PART	REVISION	1122170010	PSD	000	A2
molex																															
60A ARC ARREST RECEPTACLE / CONNECTOR																															
PRODUCT CUSTOMER DRAWING																															
DOCUMENT NUMBER	DOC TYPE	DOC PART	REVISION																												
1122170010	PSD	000	A2																												
GENERAL TOLERANCES (UNLESS SPECIFIED)																															
	MM	INCH																													
4 PLACES	±	±																													
3 PLACES	±	± 0.01																													
2 PLACES	±	± 0.02																													
1 PLACE	±	± 0.04																													
0 PLACES	±	± 1.0																													
ANGULAR TOL ± 3.0°																															
DRAFT WHERE APPLICABLE MUST REMAIN WITHIN DIMENSIONS																															
THIRD ANGLE PROJECTION																															
DRAWING		SERIES		MATERIAL NUMBER		CUSTOMER		SHEET NUMBER																							
C-SIZE		112217		SEE TABLE		GENERAL MARKET		1 OF 1																							