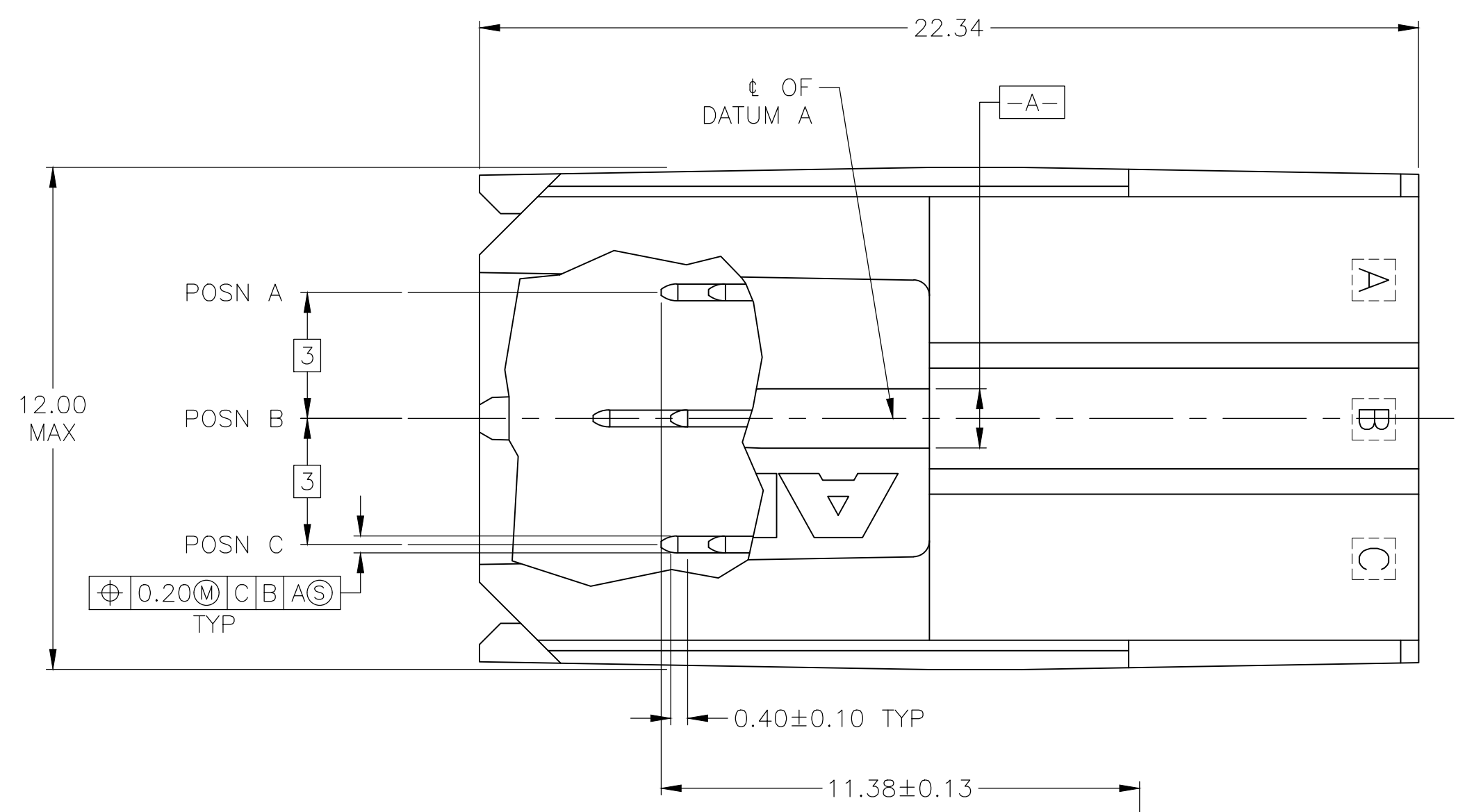
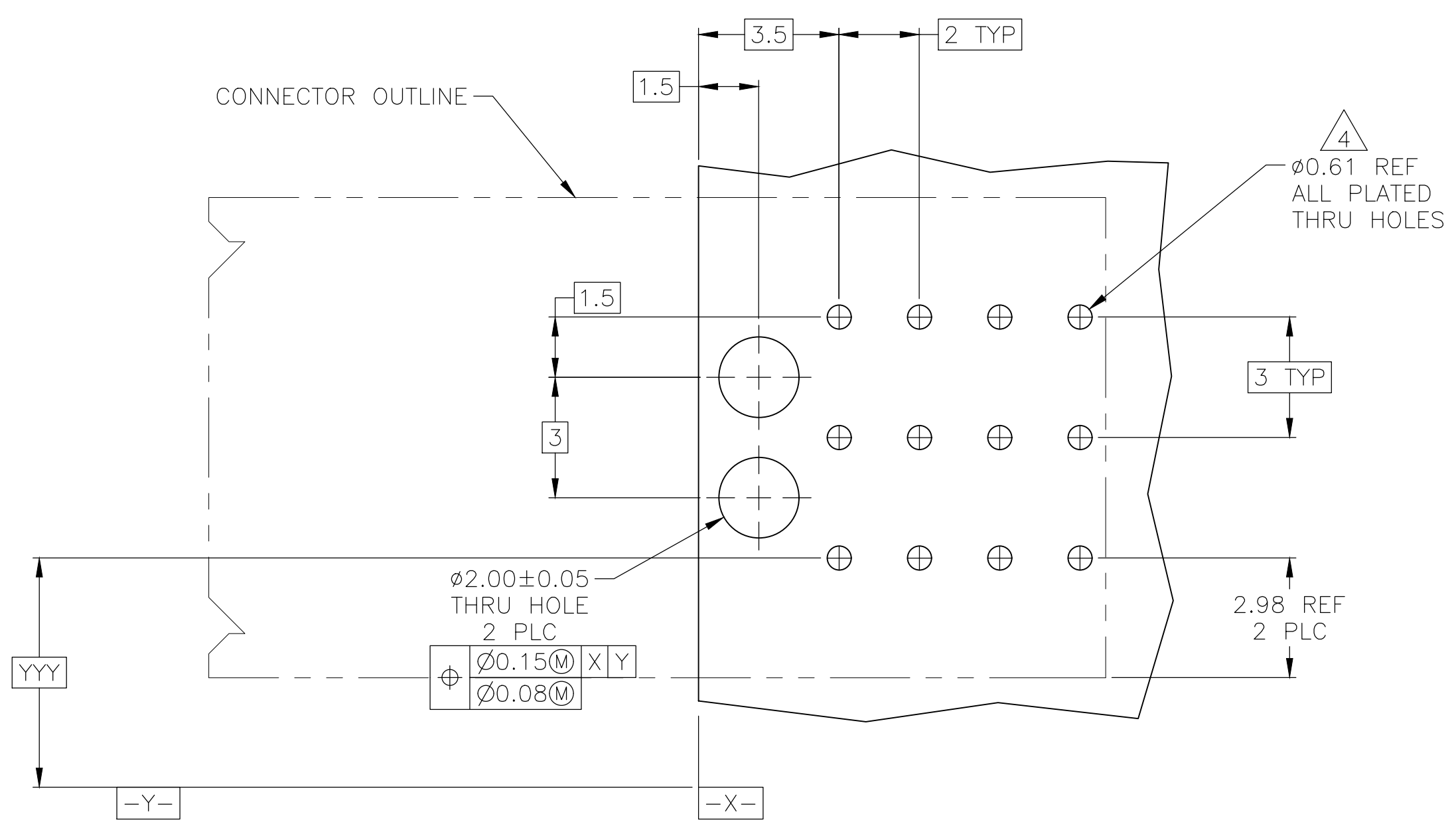
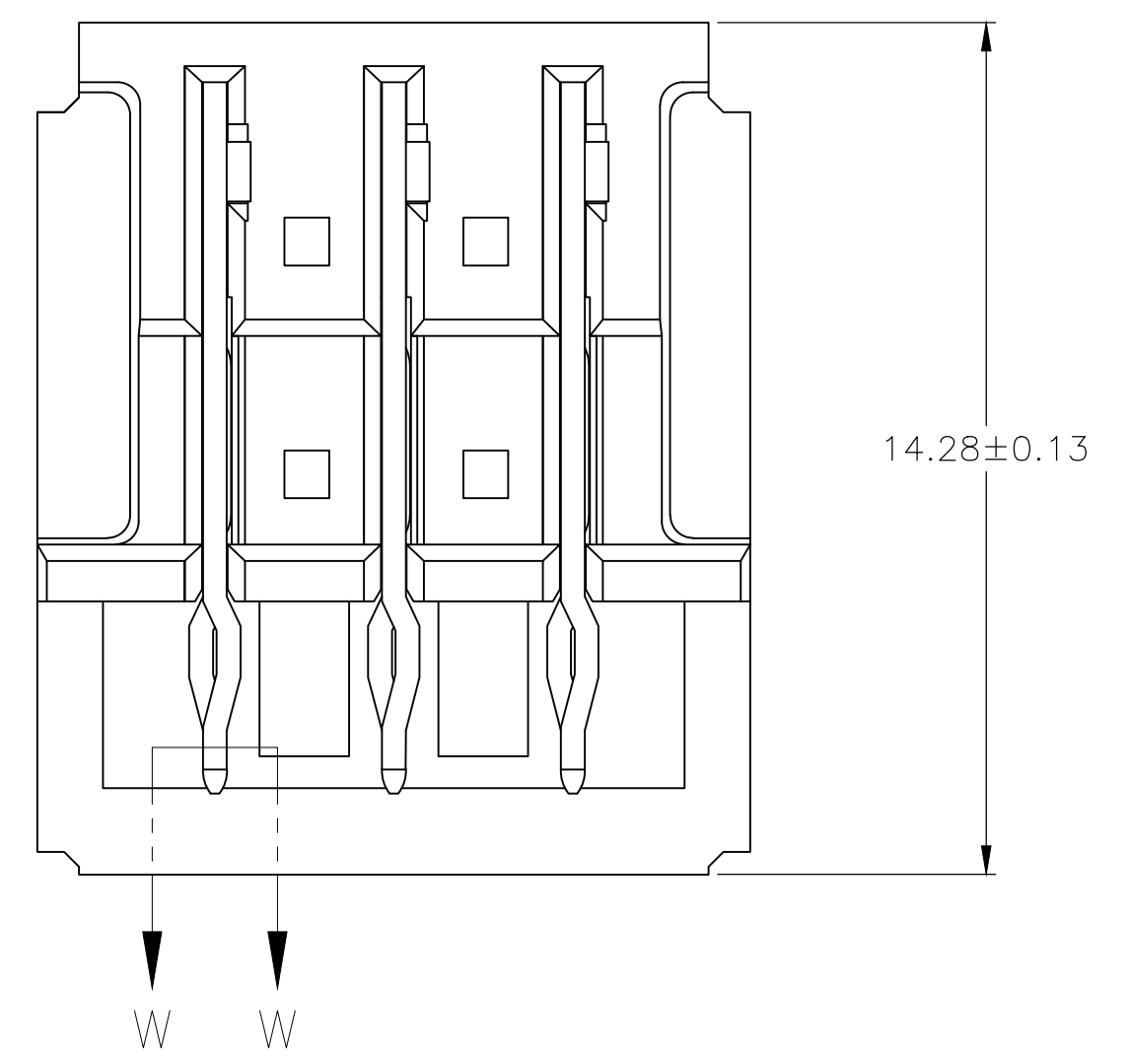
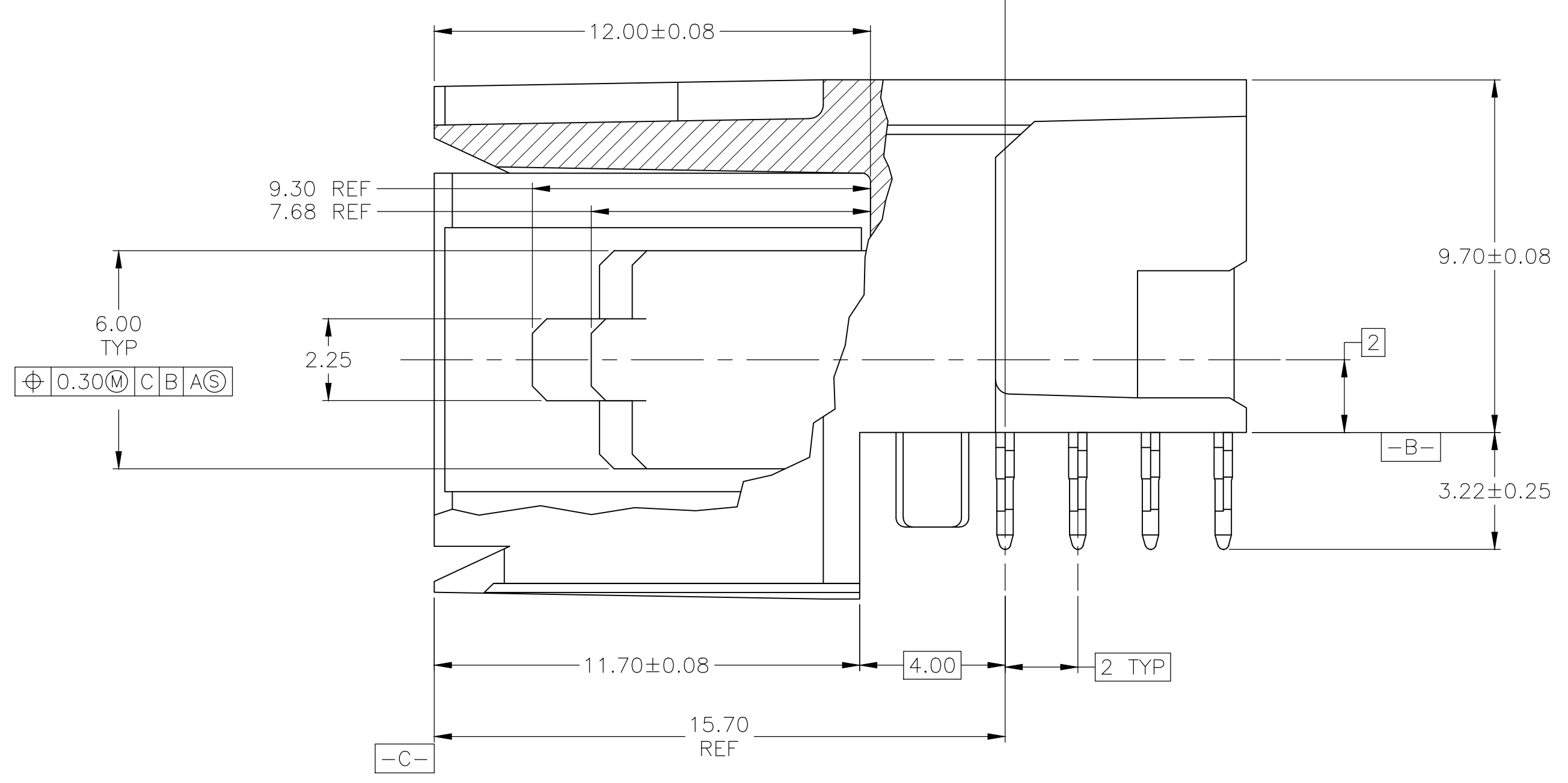
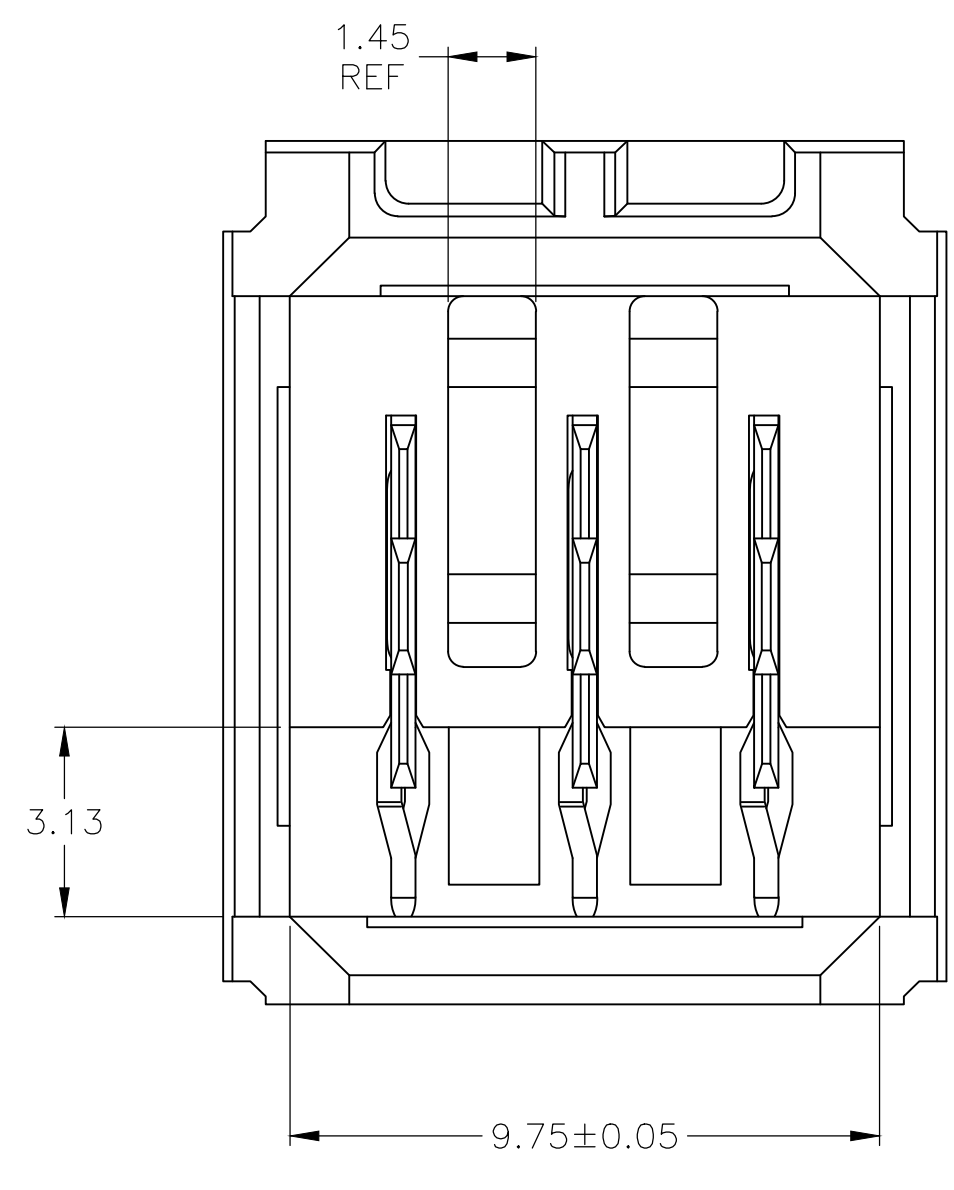


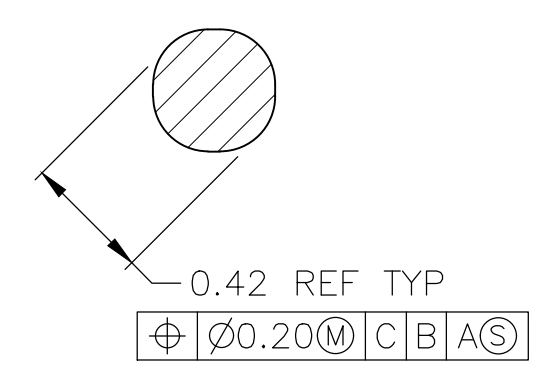
REVISONS		DATE	BY	APP'D
AD	00	10AUG2020	ML	SZ
C1	REVISED PER ECO-19-016824			



- 1 HOUSING: POLYESTER, GRAY. UL 94V-0
CONTACT: PHOSPHOR BRONZE.
- 2 PLATING: IN ACCORDANCE WITH PRODUCT SPECIFICATION 108-1651, GOLD PLATING OR EQUIVALENT PLATING ON PRODUCT CONTACT MATING AREA, AND MATTE TIN PLATING ON COMPLIANT PIN AREA, ALL OVER MATTE NICKEL UNDERPLATED. DETAIL PLEASE REFER TO PRODUCT SPECIFICATION 108-1651.
- 3 CONTACT LUBRICATION WITH BELCORE APPROVED LUBRICANT. TECHNICAL REFERENCE: TR-NWT-001217 ISSUE 1, SEPT 1992.
- 4 REFERENCE APPLICATION SPEC 114-1103 FOR RECOMMENDED PLATED THRU HOLE DIAMETER AND PLATING THICKNESS.
- 5 CURRENT RATING 10A/CONTACT PER PRODUCT SPEC 108-1651.



RECOMMENDED PCB HOLE LAYOUT



SECTION W-W
SCALE 40:1

DELETED 5223983-1
PART NUMBER

THIS DRAWING IS A CONTROLLED DOCUMENT.		DWG: B. CARBO 130EC04	Tyco Electronics Corporation Harrisburg, PA 17105-3608	
DIMENSIONS: mm		CHK: R. PATTERSON 130EC04	NAME: R. PATTERSON 130EC04	
TOLERANCES UNLESS OTHERWISE SPECIFIED:		PRODUCT SPEC		
0. PLC	± -	APPLICATION SPEC		
1. PLC	± -	SIZE: A1		
2. PLC	± 0.13	CAGE CODE: 5223983		
3. PLC	± -	DRAWING NO: 5223983		
4. PLC	± -	SCALE: 8:1		
ANGLES	± -	SHEET: 1 OF 1		
MATERIAL: 1	FINISH: 2, 3	REV: C1		