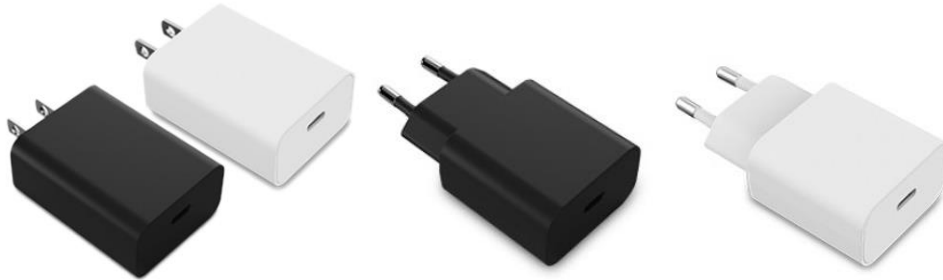




15W Fixed Blade USB Charger With USB Type-C



Features

- USB Type-C
- Fixed Blade
- Ecodesign/ErP Lot 7 (EU) 2019/1782 Compliance
- CoC Version 5 Tier 2 Compliance
- Voltage Drop Compensation
- Complies with USB Battery Charging 1.2
- Limited Power Source (LPS)
- Class B EMI
- OVP and short circuit protection

Applications

- Mobile Phone
- Networking Devices
- Tablet





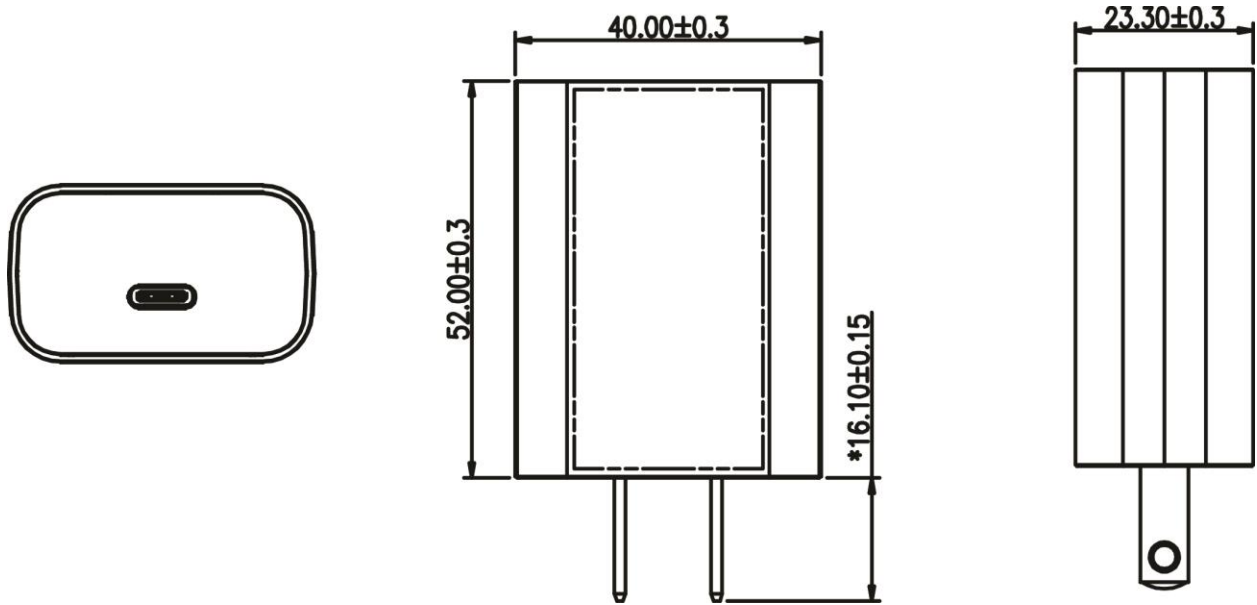
AQ15X Specifications¹

Model		AQ15A-050A-H	AQ15A-050AW-H ²
Output	DC Output Voltage	5.0V	
	Max Current	3.0A	
	Output Power	15.0W	
	Regulation	± 5%	
	Ripple & Noise P-P(max) ³	150mV	
Input	AC Input Voltage Range	90 to 264VAC	
	AC Input Frequency	47 to 63Hz	
	Input Current	0.5A (RMS) max at 100VAC	
	Inrush Current	60A max at 240VAC, Cold Start	
	No Load Power Consumption at 115VAC Input	0.02W	
	No Load Power Consumption at 230VAC Input	0.038W	
	115VAC Average Efficiency ⁴	83.07%	
	230VAC Average Efficiency ⁴	83.80%	
	230VAC 10% Load Efficiency ⁴	77.00%	
	Leakage Current	20uA max	
Protections	Over-Voltage	9.0V max	
	Short Circuit	Auto recover	
Environmental	Operating Temperature	0°C to +40°C	
	Non-Operating Temperature	-40° to +85°C	
	Operating Humidity	90% RH max	
Safety Approvals and EMC	Dielectric Withstand (HI-POT)	Primary to Secondary: 3000VAC for 1min, 3mA	
	Insulation Resistance	Primary to Secondary: >30M ohm for 500VDC	
	Standards	cULus 62368-1	
	EMI Emissions	EN 55032/CISPR 32 Class B Conducted and Radiated	
	Harmonic Current Emissions	IEC 61000-3-2	
	Voltage Fluctuations & Flicker	IEC 61000-3-3	
Immunity	EN 55035/CISPR 35: IEC 61000-4-2 (Contact: ±8KV, Air: ±15KV), IEC 61000-4-3, IEC 61000-4-4, IEC 61000-4-5 (± 1kV), IEC 61000-4-6, IEC 61000-4-8, IEC 61000-4-11		
Mechanical	Dimensions (L x W x H)	52.0mm (2.05in) x 40.0mm (1.57in) x 23.3mm (0.92in)	
	DC Output Connector	USB-C	
	Case Color	Black	White

Model		AQ15E-050A-H	AQ15E-050AW-H ²
Output	DC Output Voltage	5.0V	
	Max Current	3.0A	
	Output Power	15.0W	
	Regulation	± 5%	
	Ripple & Noise P-P(max) ³	150mV	
Input	AC Input Voltage Range	90 to 264VAC	
	AC Input Frequency	47 to 63Hz	
	Input Current	0.5A (RMS) max at 100VAC	
	Inrush Current	60A max at 240VAC, Cold Start	
	No Load Power Consumption at 115VAC Input	0.02W	
	No Load Power Consumption at 230VAC Input	0.038W	
	115VAC Average Efficiency ⁴	83.07%	
	230VAC Average Efficiency ⁴	83.80%	
	230VAC 10% Load Efficiency ⁴	77.00%	
Protections	Leakage Current	20uA max	
	Over-Voltage	9.0V max	
Environmental	Short Circuit	Auto recover	
	Operating Temperature	0°C to +40°C	
	Non-Operating Temperature	-40° to +85°C	
Safety Approvals and EMC	Operating Humidity	90% RH max	
	Dielectric Withstand (HI-POT)	Primary to Secondary: 3000VAC for 1min, 3mA	
	Insulation Resistance	Primary to Secondary: >30M ohm for 500VDC	
	Standards	IEC 62368-1	
	EMI Emissions	EN 55032/CISPR 32 Class B Conducted and Radiated	
	Harmonic Current Emissions	IEC 61000-3-2	
	Voltage Fluctuations & Flicker	IEC 61000-3-3	
Mechanical	Immunity	EN 55035/CISPR 35: IEC 61000-4-2 (Contact: ±8KV, Air: ±15KV), IEC 61000-4-3, IEC 61000-4-4, IEC 61000-4-5 (± 1kV), IEC 61000-4-6, IEC 61000-4-8, IEC 61000-4-11	
	Dimensions (L x W x H)	58.0mm (2.28in) x 40.0mm (1.57in) x 23.3mm (0.92in)	
	DC Output Connector	USB-C	
Notes	Case Color	Black	White
	<ol style="list-style-type: none"> The specifications defined are at ambient temperature of 25°C, unless otherwise specified. Special order MOQ 20MHz bandwidth frequency oscilloscope, add a 0.1µF multilayer Cap. and Low ESR Electrolytic Cap. (10µF) at output connector terminals (nominal line voltage, full load). Efficiency is measured after 30 minutes burn-in. 		

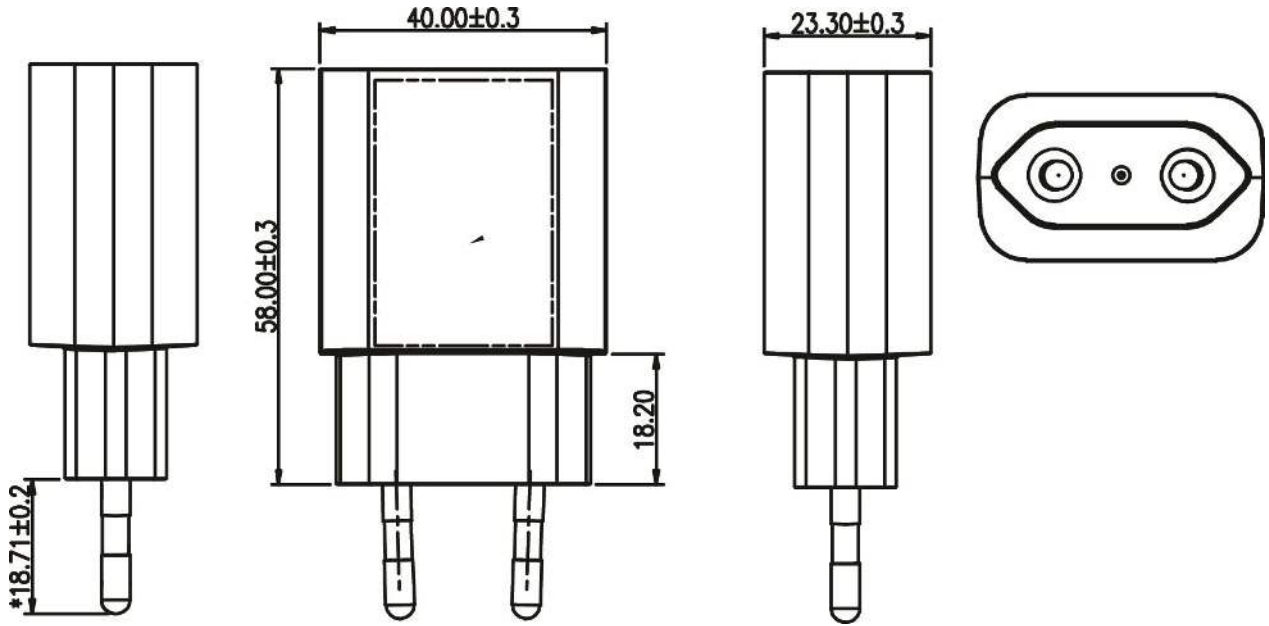


AQ15A Outline Drawing





AQ15E Outline Drawing





Supplier's Declaration of Conformity
47 CFR § 2.1077 Compliance Information

AQ15A-050A-H/AQ15A-050AW-H

Phihong USA Corporation
47800 Fremont Boulevard
Fremont, CA 94538
Telephone: (510) 445-0100
www.phihong.com

This device complies with/The devices in this product series comply with part 15 of the FCC Rules. Operation is subject to the following two conditions: (1) This device may not cause harmful interference, and (2) this device must accept any interference received, including interference that may cause undesired operation.



USB Cables – Sold Separately

Unit: mm

Part no: UES-1001A160	Desc: Low Drop Type-C USB Cable – 1 Meter – 23AWG on Power – 30AWG on Data - Black
Part no: UES-1003A160	Desc: Low Drop Type-C USB Cable - 1 Meter – 23AWG on Power – 30AWG on Data - White