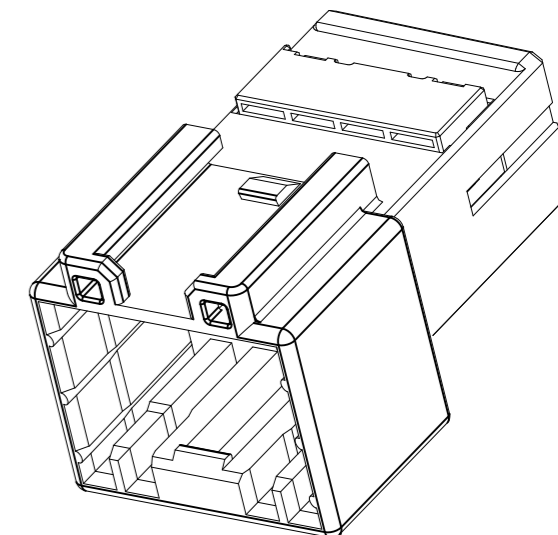
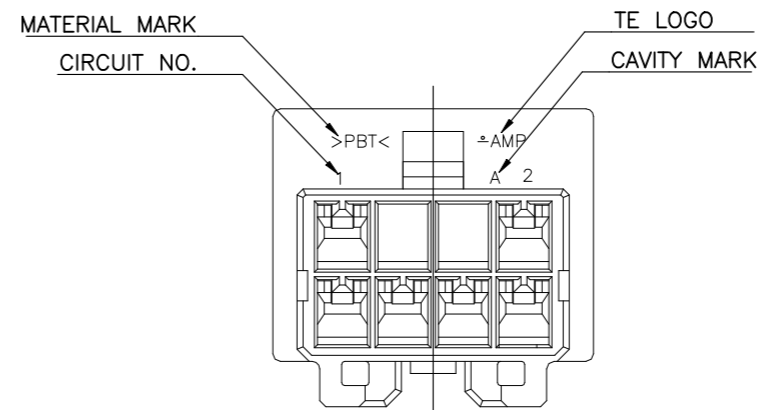
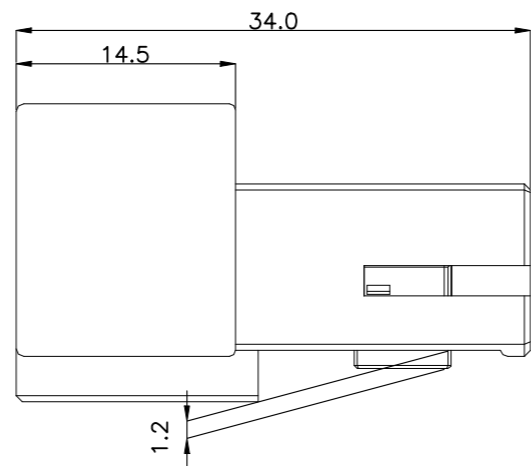
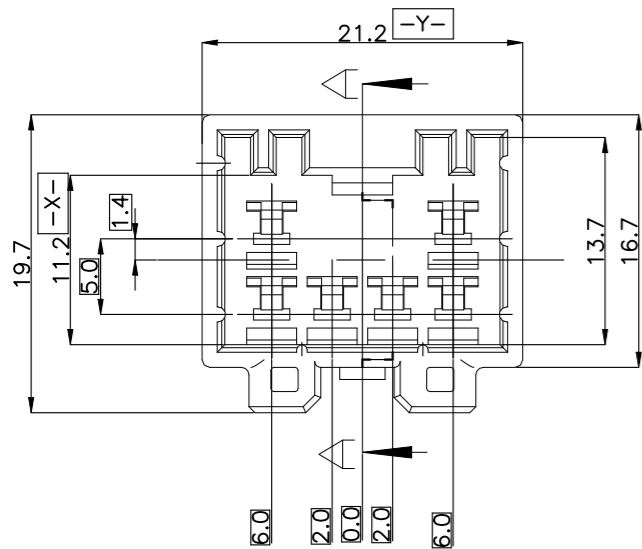
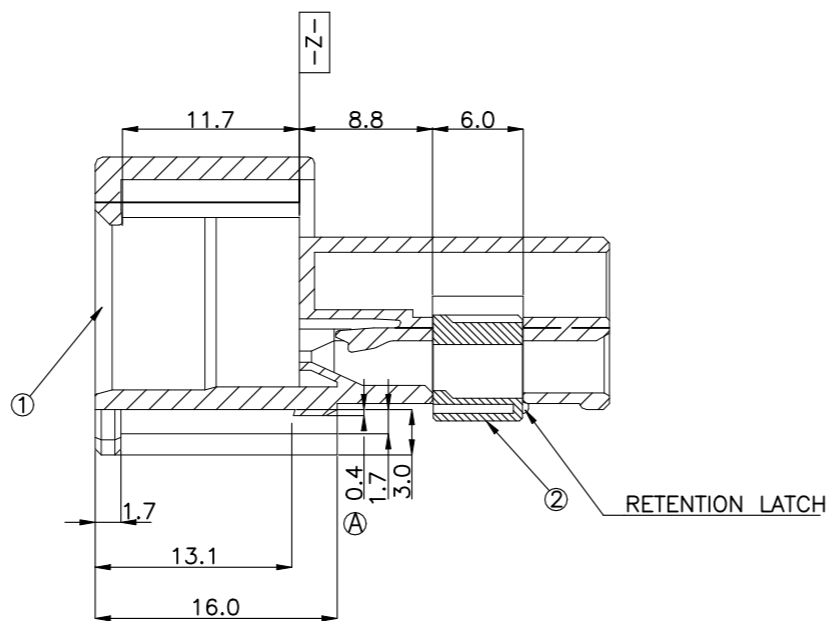
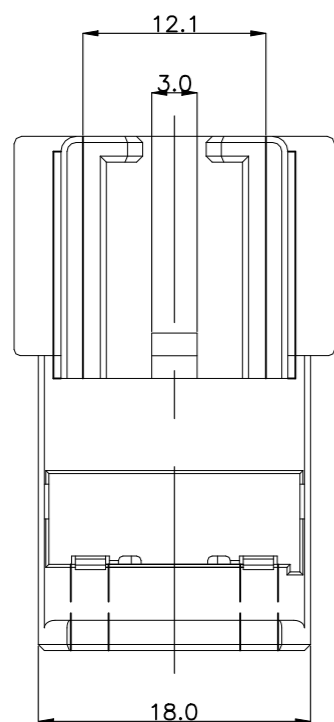


REVISIONS

P	LTR	DESCRIPTION	DATE	DWN	APVD
	C3	REVISED (ECR-23-172163)	13APR2023	HG	YJ



3D VIEW



SECTION A-A

NOTES.

- THE MATING HSG. P/N ; 936268
- APPLIED CONTACT P/N ; 090 II TAB. - 368086, 368087, 368088, 1897752

-추가-

- 상대 하우징 P/N. : 936268
- 적용단자 P/N. ; 090 II TAB. - 368086, 368087, 368088, 1897752

ASSY P/N
0-936271-8
0-936271-7
0-936271-6
0-936271-5
0-936271-4
0-936271-3
0-936271-2
0-936271-1

NO	COLOR	MATERIAL	DESCRIPTION	P/N	QTY
1	BLUE	PBT	PLUG	0-936272-8	1
	GREEN	PBT	PLUG	0-936272-7	1
	RED	PBT	PLUG	0-936272-6	
	YELLOW	PBT	PLUG	0-936272-5	1
	BROWN	PBT	PLUG	0-936272-4	1
	D/GRAY	PBT	PLUG	0-936272-3	1
	BLACK	PBT	PLUG	0-936272-2	1
	NATURAL	PBT	PLUG	0-936272-1	1
2	NATURAL	PBT	DBL	0-936270-1	1 1 1 1 1 1 1

THIS DRAWING IS A CONTROLLED DOCUMENT.

DIMENSIONS: mm	TOLERANCES UNLESS OTHERWISE SPECIFIED:
	0 PLC ± -
	1 PLC ± -
	2 PLC ± -
	3 PLC ± -
	4 PLC ± -
	ANGLES ± -
MATERIAL SEE TABLE	FINISH -

TOLERANCES UNLESS OTHERWISE SPECIFIED:	
0 <XX<10	± 0.2
10<XX<30	± 0.25
30<XX	± 0.3
ANGLES	± 3°

DWN KT JUNG	TE Connectivity		
CHK JW JUNG	NAME		
APVD HG CHO	090III 6P CAP ASS'Y (2ROW)		
PRODUCT SPEC	-		
APPLICATION SPEC	-		
WEIGHT	SIZE A3	CAGE CODE 00779	DRAWING NO C-936271
CUSTOMER DRAWING		RESTRICTED TO	
SCALE 2:1		SHEET 1 OF 2	REV C3