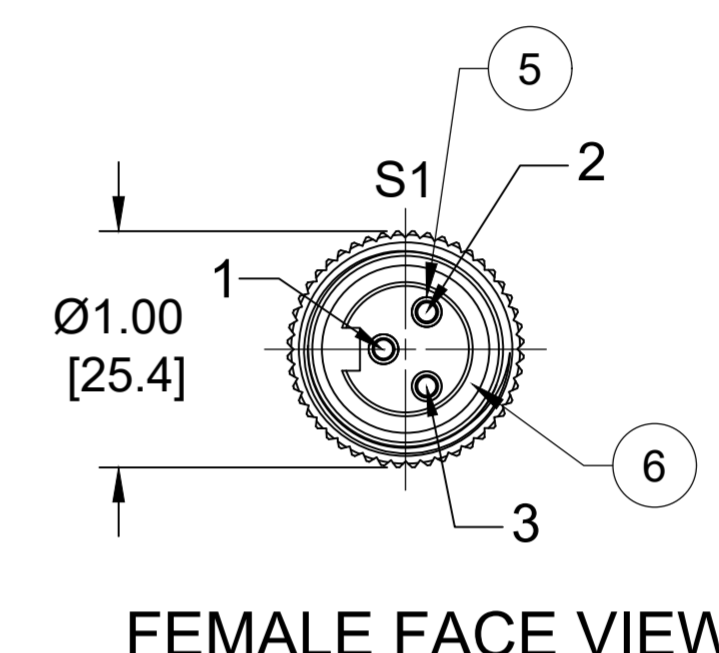
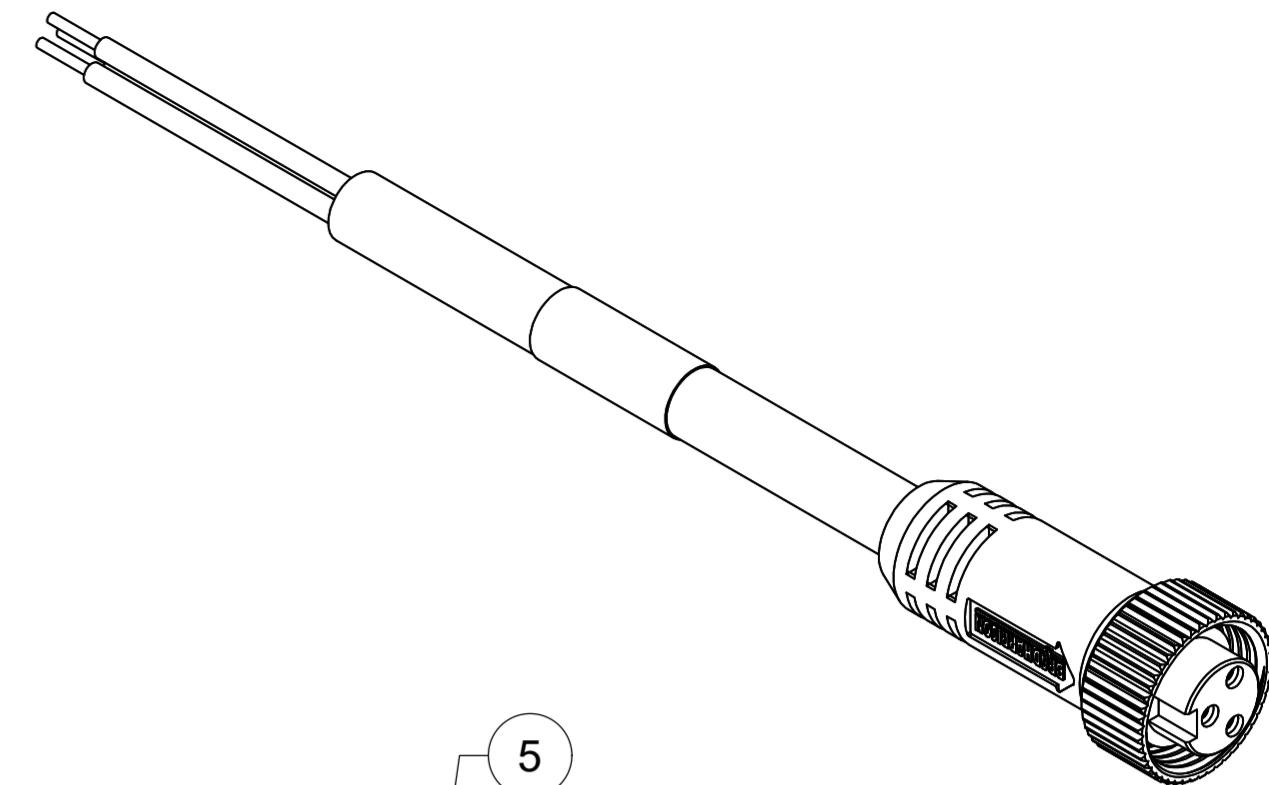
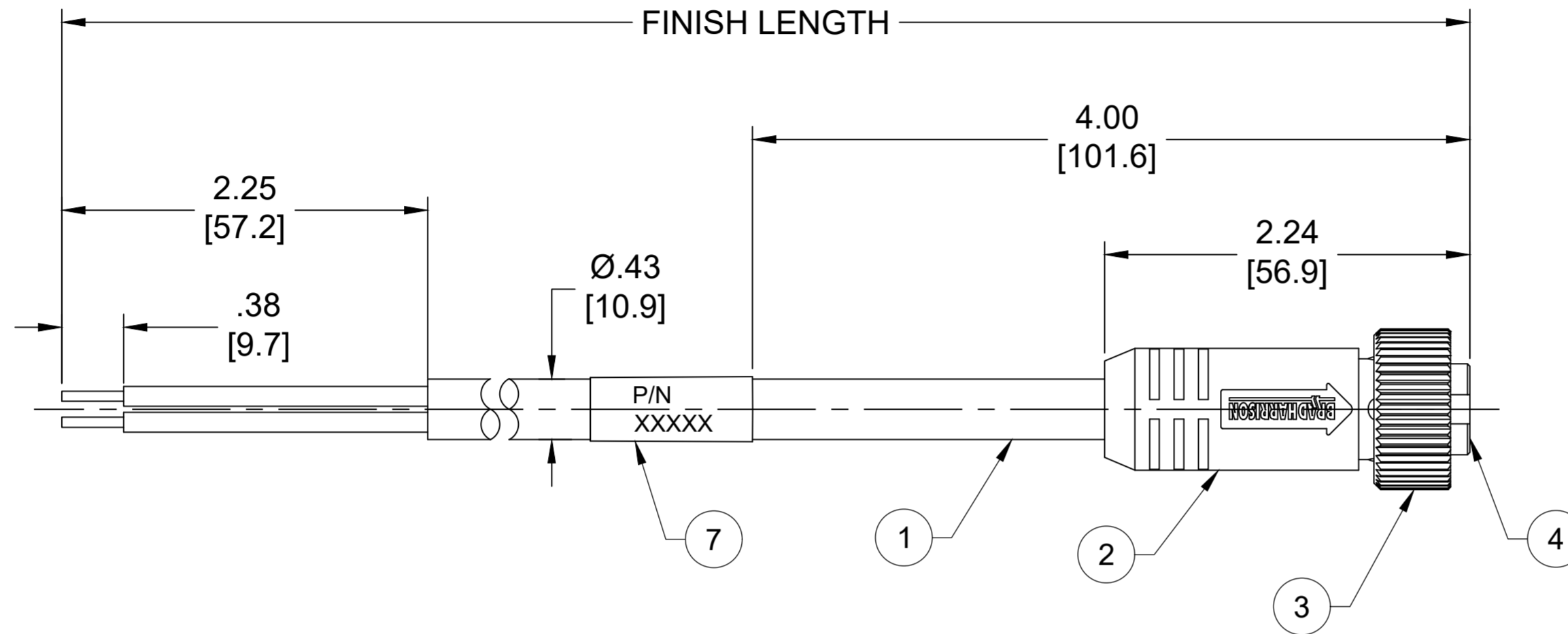


PART NO.	ENGINEERING NO.	FINISHED LENGTH
1300060374	103000C01F030	3FT [0.9M]
1300060380	103000C01F120	12FT [3.7M]
1300060386	103000C01F300	30FT [9.1M]



NOTES:

- MATERIAL: AS NOTED
- FINISH: AS NOTED
- ELECTRICAL:
 - VOLTAGE : 500V PER IEC 60664
 - 600V PER UL 2238
 - CURRENT: 13A
- TEMP RATING: -20° TO +90°C
- PROTECTION: IP67 (WHEN MATED)
- COUPLING THREAD: 7/8"-16UN
- CSA CERTIFIED FILE: LR6837
- ALL DIMENSIONS ARE FOR REFERENCE UNLESS TOLERANCED OR NOTED OTHERWISE

	S1
GREEN-GND	1
RED WITH BLACK	2
RED WITH WHITE	3

PART NUMBER LEGEND

103000C01F030

CABLE LENGTH
 F050 = 5 FEET
 F100 = 10 FEET
 F500 = 50 FEET

CABLE LENGTH TOLERANCES
<.3M [1FT]: +19mm-0 [+.75in-0]
.3 - .9M [1 - 3FT]: +44.5mm-0 [+1.75in-0]
.9 - 1.8M [3 - 6FT]: +55.6mm-0 [+2.19in-0]
1.8 - 3.7M [6 - 12FT]: +88.9mm-0 [+3.50in-0]
3.7 - 7.3M [12 - 24FT]: +165.1mm-0 [+6.50in-0]
7.3-14.6M [24 - 48FT]: +317.5mm-0 [+12.50in-0]
14.6 - 30.5M [48-100FT]: +622.3mm-0 [+24.50in-0]
OVER 30M [100FT] +2% OF FINISHED LENGTH

ITEM	COMPONENT	MATERIAL	FINISH
7	WRAP LABEL	VINYL	BLACK/YELLOW
6	FRICION RING	NYLON	WHITE
5	CONTACT SOCKET	COPPER ALLOY	GOLD OVER NICKEL
4	INSERT	TPE	YELLOW
3	COUPLING NUT	ZINC DIE CAST	BLACK-E-COAT
2	OVERMOLD	TPE	YELLOW
1	CABLE, 16 AWG	RUBBER	YELLOW

FUNCTIONAL SYMBOLS FA=0 FC=0 FP=0	THIS DRAWING CONTAINS INFORMATION THAT IS PROPRIETARY TO MOLEX ELECTRONIC TECHNOLOGIES, LLC AND SHOULD NOT BE USED WITHOUT WRITTEN PERMISSION		CURRENT REV DESC: ITEM# 2 & 4 WERE PVC. ITEM #7 WAS PLASTIC FILM. ADDED ITEM #6, IEC VOLTAGE, PN LEGEND & TOL CHART. MODIFIED PN CHART. REMOVED UL FROM NOTES	
	DIMENSION UNITS INCH/MM	SCALE NTS	EC NO: 702709	
DIVISIONAL SYMBOLS	GENERAL TOLERANCES (UNLESS SPECIFIED)		DRWN: ABENJAMINLW 2021/05/20	
	4 PLACES ±--- ±---		CHK'D: RSTONE 2022/04/11	
3 PLACES ±--- ±---		APPR: BWOODMAN 2022/04/16		
2 PLACES ±--- ±---		INITIAL REVISION:		
1 PLACE ±--- ±---		DRWN: BWOODMAN 2009/12/28		
0 PLACES ±--- ±---		APPR: JFMURPHY 2010/01/05		
ANGULAR TOL ± --- °		THIRD ANGLE PROJECTION	DRAWING	SERIES
DRAFT WHERE APPLICABLE MUST REMAIN WITHIN DIMENSIONS			C-SIZE	130006
DOCUMENT STATUS		RELEASE DATE	DOC TYPE/DOC PART	REVISION
P1	2022/04/16 16:04:51	PSD 001	B	
MATERIAL NUMBER		CUSTOMER	SHEET NUMBER	
SEE CHART		GENERAL MARKET	1 OF 1	