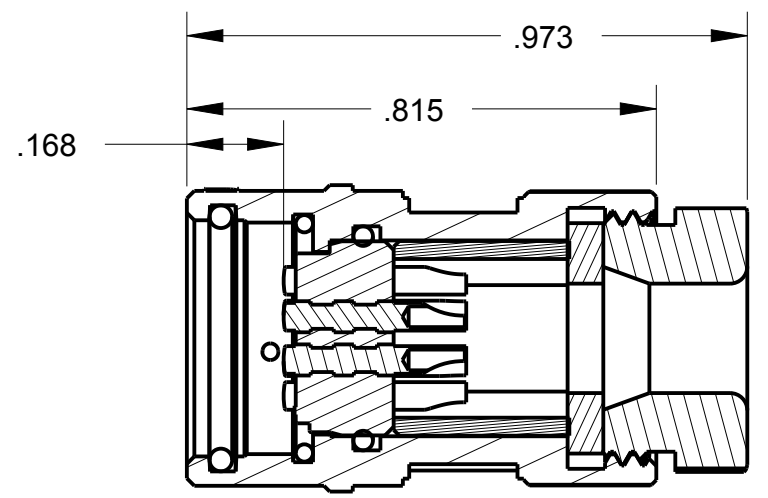
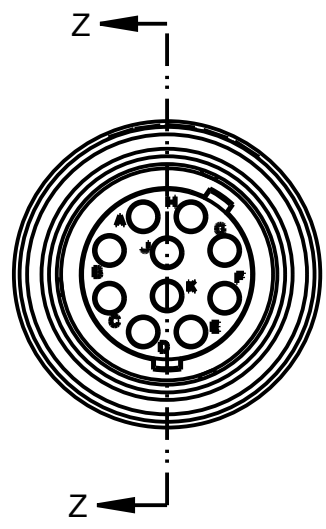
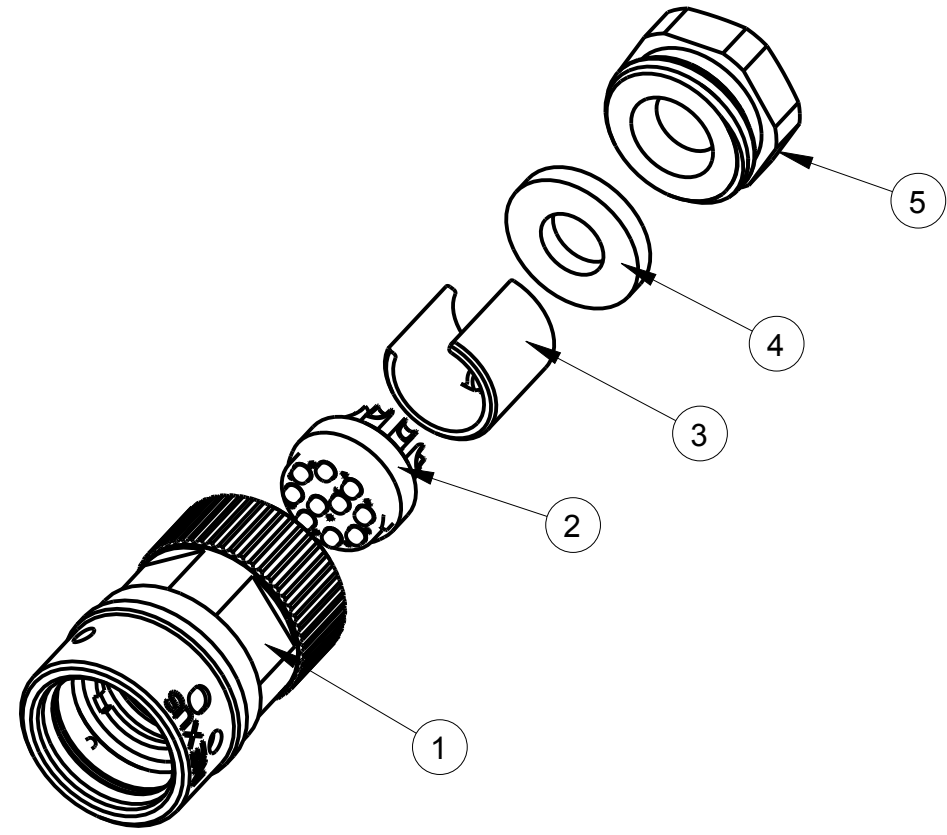
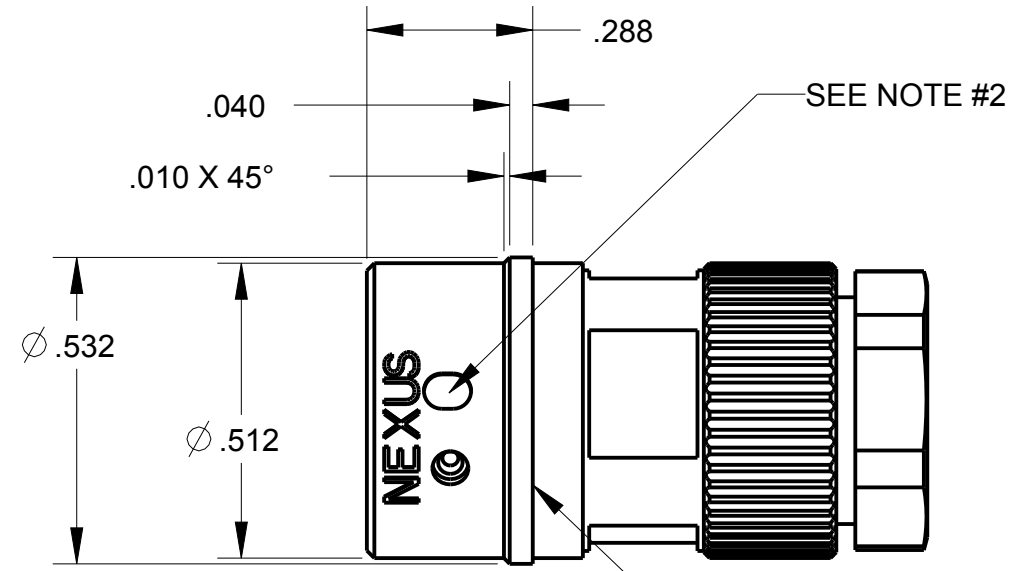


ITEM #	PART #	QTY	DESCRIPTION
1	MAP-60-11	1	OM PLUG HOUSING
2	MAP-60-02	1	PLUG INSERT, 10 COND
3	MAP-60-06	1	STRAIN RELIEF
4	MAP-60-07	1	WASHER, RUBBER
5	MAP-60-10	1	NUT, OM ADAPTER

B MAP-60-50



SECTION Z-Z

THIS DOCUMENT CONTAINS PROPRIETARY INFORMATION OF NEXUS, INCORPORATED AND SUCH INFORMATION MAY NOT BE DISCLOSED TO OTHERS FOR ANY PURPOSE OR USED FOR ANY PURPOSE WITHOUT THE WRITTEN CONSENT OF NEXUS.

NOTES:
 1) OVERMOLD SHUTOFF SURFACE
 2) ORANGE ALIGNMENT DIMPLE

LET.	REVISION	CN #	DATE	CHK.
A	NEW RELEASE		8/16 2011	HR

DWN.BY	HR	DATE	Aug-16-11	MATERIAL	
CHECKED BY		DATE		FINISH	
APPR.BY		DATE		WEIGHT	SCALE = 2.00 :1
UNLESS OTHERWISE SPECIFIED: DIMENSIONS ARE IN INCHES &/OR (mm) TOLERANCES: DECIMAL: .XX[X.X] .XXX[X.XX] ± .01[0.3] ± .003[0.08] FRACTION: X/X 1/64 ANGLES: X ± .5°				TITLE	
				10 - COND OM PLUG Ø .185 CABLE	
				DO NOT SCALE DWG.	SHEET 1 OF 1
				SIZE	DWG. NO.
				B	MAP-60-50

NEXUS
STAMFORD, CONN