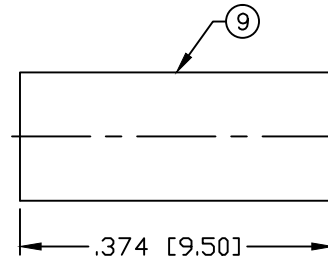
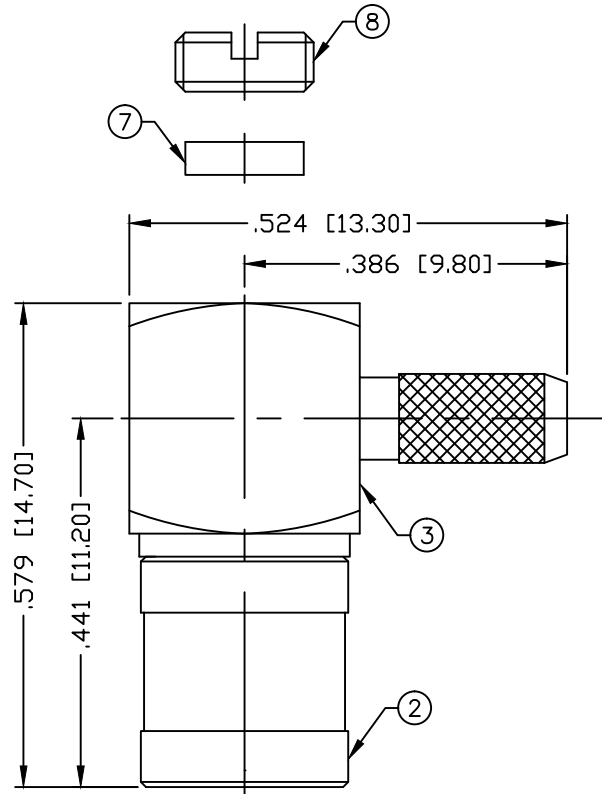


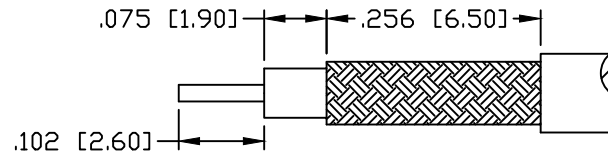
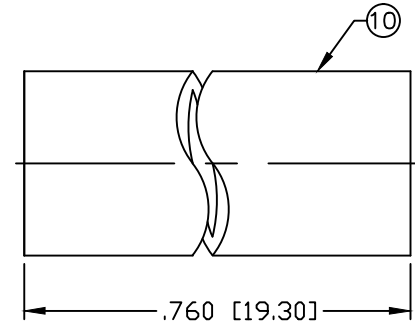
THIS DRAWING CONTAINS INFORMATION PROPRIETARY TO RF INDUSTRIES,
 ANY UNAUTHORIZED USE OF THIS DRAWING IS EXPRESSLY PROHIBITED
 WITHOUT WRITTEN PERMISSION FROM RF INDUSTRIES.
 ANY VIOLATION IS PUNISHABLE UNDER U.S. COPYRIGHT LAWS.

PART NO.		RSB-4010-B		
REV	DESCRIPTION	DWN	DATE	APPROVED
A	ENGINEERING RELEASE	CZS	11/17/97	R. RICE
B	CHANGE DRAWING NUMBER & UPDATE DWG.	CZS	11/21/01	JDMc

ALL DIMENSIONS ARE REFERENCE ONLY



RECOMMENDED CRIMP SIZE: .130"



RECOMMENDED STRIPPING DIMENSIONS

IMPEDANCE: 50 OHMS
 FREQUENCY RANGE: 0-4 GHz
 WORKING VOLTAGE: 335 VRMS MAX. AT SEA LEVEL
 VSWR: 1.5 MAX.
 FOR RG-174, 188, 188A, 316/U, ALPHA 9174, 9316,
 BELDEN 8216, 83269, 83284, 84316 & TIMES LMR-100A CABLE

1	COUPLING NUT	1	BRASS	NICKEL, 100μ"	008974	
2	PRESS BODY	1	BRASS	NICKEL, 100μ"		
3	BODY	1	BRASS	NICKEL, 100μ"		
4	INSULATOR	1	PTFE	---		
5	CONTACT	1	Be. Cu.	GOLD, 30μ"		
6	RETAINING RING	1	Be. Cu.	---		
7	INSULATOR	1	PE	---		
8	COVER	1	BRASS	NICKEL, 100μ"		
9	FERRULE	1	BRASS	NICKEL, 100μ"		
10	TUBING	1	HEAT TREAT	---	DRAWN C. ZUNIGA	
11					11/21/01	
12					CHECKED	
13					ORJ DRAWN	
14					C. ZUNIGA	
					11/17/97	
#	DESCRIPTION	QTY	MATERIAL	FINISH (IN)	APPROVALS	DATE

UNLESS OTHERWISE SPECIFIED:
 1. REMOVE ALL BURRS
 2. BREAK ALL CORNERS & EDGES .005 R. MAX.
 3. CHAMFER 1ST & LAST THREADS 45°
 4. SURFACE ROUGHNESS 63 FINISH MIL-STD-10
 5. DIAMETERS ON COMMON CENTERS TO BE CONCENTRIC WITHIN .002 T.I.R.
 6. ALL DIMENSIONS ARE AFTER PLATING.

DIMENSIONS ARE IN INCHES AND [MILLIMETERS]
 UNLESS OTHERWISE NOTED TOLERANCES ARE:
 DECIMALS DIAMETER
 .XXX±.003 [.08] .XXX±.001 [.03]
 .XX±.005 [.13] .XX±.003 [.08]

RFconnectors 7610 MIRAMAR RD
 SAN DIEGO, CA 92126
 (858) 549-6340
 DIVISION OF RF INDUSTRIES, LTD. (858) 549-6345 FAX

SMB PLUG, CRIMP
 RIGHT ANGLE

SIZE A	CABLE GROUP B	DWG NO. RSB-4010-B	REV B
SCALE: NTS		CAD FILE OUTLINE	SHEET 1 OF 1