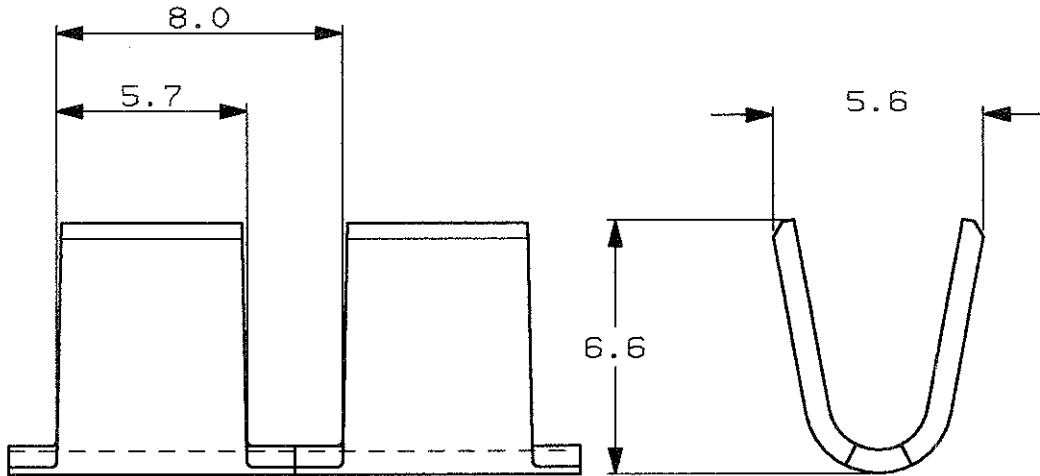


SCALA NON IMPEGNATIVA
(DO NOT SCALE)
DIMENSIONI IN mm
(DIMENSIONS IN mm)

METRIC

PROIEZIONE EUROPEA
(EUROPEAN PROJECTION)



APPLICATION SPEC. 114-2008

STAGNATO (TIN PLATED)	OTTONE (BRASS)	0-140792-2
- (UNPLATED)	OTTONE (BRASS)	0-140792-1
FINITURA / COLORE (FINISH / COLOUR)	MATERIALE (MATERIAL)	NUMERO (PART NUMBER)

CUSTOMER DWG.
FOR REFERENCE ONLY

DISEGNO PER CLIENTE
SOLO PER RIFERIMENTO

THIS DRAWING IS UNPUBLISHED	RELEASE FOR PUBLICATION	19
© COPYRIGHT 19 BY AMP INCORPORATED, HARRISBURG, PA. ALL INTERNATIONAL RIGHT RESERVED. AMP PRODUCTS MAY BE COVERED BY U.S. AND FOREIGN PATENT AND/OR PATENT PENDING		
TOLLERANZE: SE NON DIVERSAMENTE SPECIFICATO (TOLERANCES: UNLESS OTHERWISE SPECIFIED)	DIAM. ISOLANTE (INS. DIA. RANGE)	RANGO FILO (WIRE RANGE)
± 0.3	-	5000/13000 CMA
ANGOLI (ANGLES)	AMP AMP ITALIA S.p.A. Corso F.lli Cervi, 15 COLLEGNO (TORINO)	
± 2°		

DIS. 06 JUN 2001 (DR.) G. SINCHETTO	DESCRIZIONE (DESCRIPTION) SPECIAL SPLICE (WITHOUT SERRATIONS)
CONT. 06 JUN 2001 (CHK) C. TARTARI	

J	REDRAWN BY CAD	ET00	G.S.	JUN																
REV.	REVISIONI (REVISION RECORD)	0155-01	DIS. DATA (DR) (DATE)	APP. (APP.)	LOC.	SIZE	NUMERO (DWG NO)	REV.	FOGLIO (SHEET)	DI (OF)										
					I	A4	C-140792	J	1	1										

DISTRIBUZIONE
(PRINT DIST.)