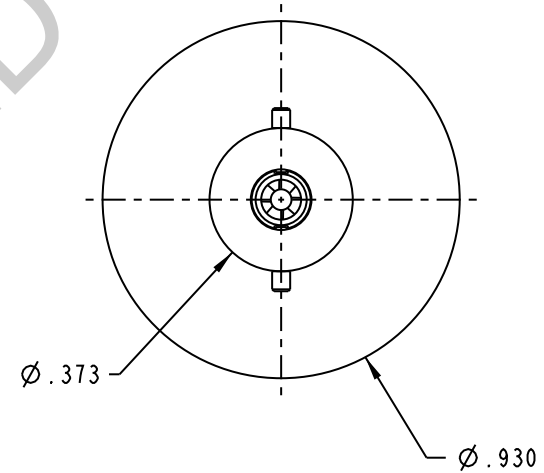
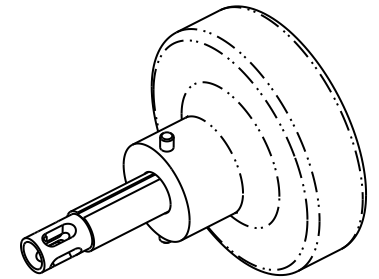
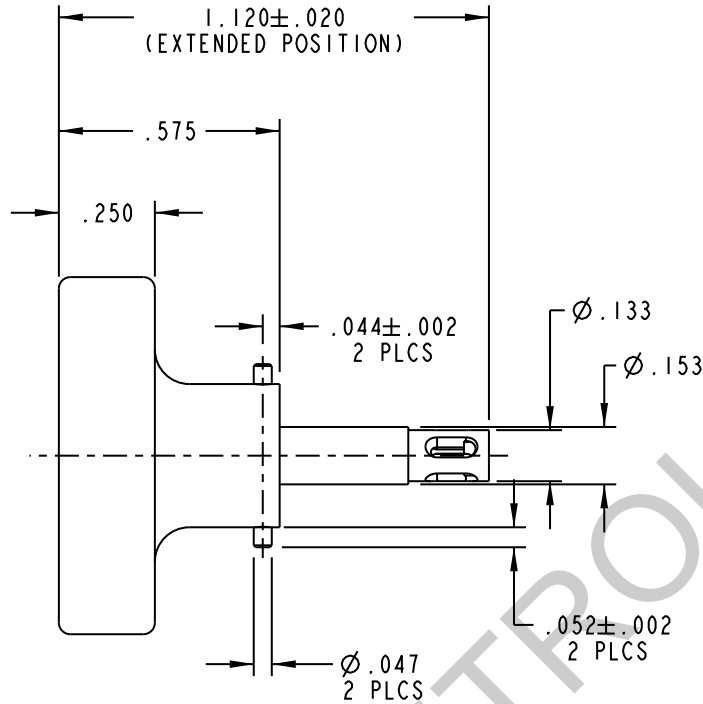


DATA CONTAINED IN THIS DOCUMENT IS PROPRIETARY TO EMERSON CONNECTIVITY SOLUTIONS AND SHALL NOT BE DISCLOSED, COPIED OR USED FOR PROCUREMENT OR MANUFACTURE WITHOUT EXPRESS WRITTEN PERMISSION


REVISIONS			
REV	DESCRIPTIONS	DATE	APPROVED
N	ECO 52674	11/3/10	T. KOHLER



UNCONTROLLED COPY

1. FINISH: BODY: TFS-1A (NICKEL)
LOCATOR: SILICONE PROTECTANT
LOCK PINS: PASSIVATE

NOTES: UNLESS OTHERWISE SPECIFIED.

INTERPRET DRAWING PER MIL-STD-100. DIMENSIONS ARE IN INCHES AND INCLUDE FINISH THICKNESS UNLESS OTHERWISE SPECIFIED.		TOL: UNLESS SPECIFIED. .XX ± .02 .XXX ± .010 ANGLE ± 1°		 cinch CONNECTIVITY SOLUTIONS a bel group		Cinch Connectivity Solutions 299 Johnson Ave. Ste. 100 Waseca, MN 56093 1-800-247-8256	
DRN C. WALLACE	11/3/10	MATERIAL:				TITLE: POSITIONER, CONTACT, 150C, 150AC SMALL BODY AND AC SERIES	
N/A	CHK T. KOHLER 11/4/10	FINISH:		SIZE A	CAGE CODE 14949	DRAWING NO. 010-0041	REV. N
BLANK LENGTH (REF. ONLY)	MANUF	DO NOT SCALE DWG		SCALE 2/1	DATE 9/14/84	SHEET 1 OF 3	
N/A	APPROVED	PROJ TITLE NO. 010-0041					