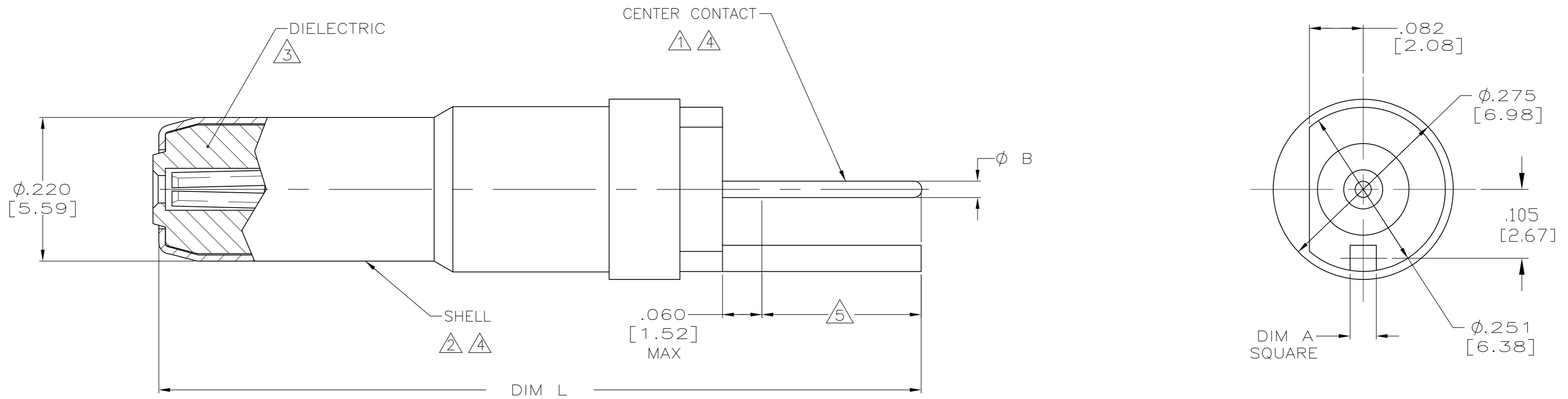


THIS DRAWING IS UNPUBLISHED. RELEASED FOR PUBLICATION
 © COPYRIGHT BY TYCO ELECTRONICS CORPORATION. ALL INTERNATIONAL RIGHTS RESERVED.

LOC		DIST		REVISIONS			
P	LTR	DESCRIPTION	DATE	DWN	APVD		
	C	REV PER ECO 08-024900	10-20-08	CT	KT		



- 1 BERYLLIUM COPPER PER ASTM-B-197 OR ASTM-B-643.
- 2 BRASS PER ASTM-B-16.
- 3 PTFE PER ASTM-D-1710.
- 4 GOLD PLATE PER ASTM-B-488 (MIL-G-45204), TYPE 2, GRADE C, .000050 [0.00127] MIN THK OVER NICKEL PLATE PER QQ-N-290, .000050 [0.00127] MIN THK.
- 5 THIS AREA IS SOLDER DIPPED. (-4 ONLY)

.020±.002 [0.51±0.05]	.040±.003 [1.02±0.08]	NO	1.205 [30.61]	1484201-5
.026 [0.66] MAX	.047 [1.19] MAX	YES	1.277 [32.44]	1484201-4
.020±.002 [0.51±0.05]	.040±.003 [1.02±0.08]	NO	1.277 [32.44]	1484201-3
.020±.002 [0.51±0.05]	.040±.003 [1.02±0.08]	NO	1.249 [31.72]	1484201-2
.020±.002 [0.51±0.05]	.040±.003 [1.02±0.08]	NO	1.158 [29.41]	1484201-1
DIM B	DIM A	SOLDER DIPPED	L±.020 [±0.51]	PART NUMBER

THIS DRAWING IS A CONTROLLED DOCUMENT.		DWN C.C.THOMAS 1-10-02	Tyco Electronics Corporation Harrisburg, PA 17105-3608	
DIMENSIONS: INCHES [mm]		CHK S.GLATFELTER 1-10-02	NAME PIN CONTACT ASSY, COAX, SIZE 5 POSTED, ARINC 600	
TOLERANCES UNLESS OTHERWISE SPECIFIED:		APVD S.GLATFELTER 1-10-02	SIZE A2 CAGE CODE 00779 DRAWING NO C=1484201	
0 PLC ± -		PRODUCT SPEC	RESTRICTED TO	
1 PLC ± -		APPLICATION SPEC	SCALE 8:1 SHEET 1 of 1 REV C	
2 PLC ± -		WEIGHT -		
3 PLC ± .005 [0.13]		CUSTOMER DRAWING		
4 PLC ± -				
ANGLES ± -				
FINISH SEE CALLOUTS				