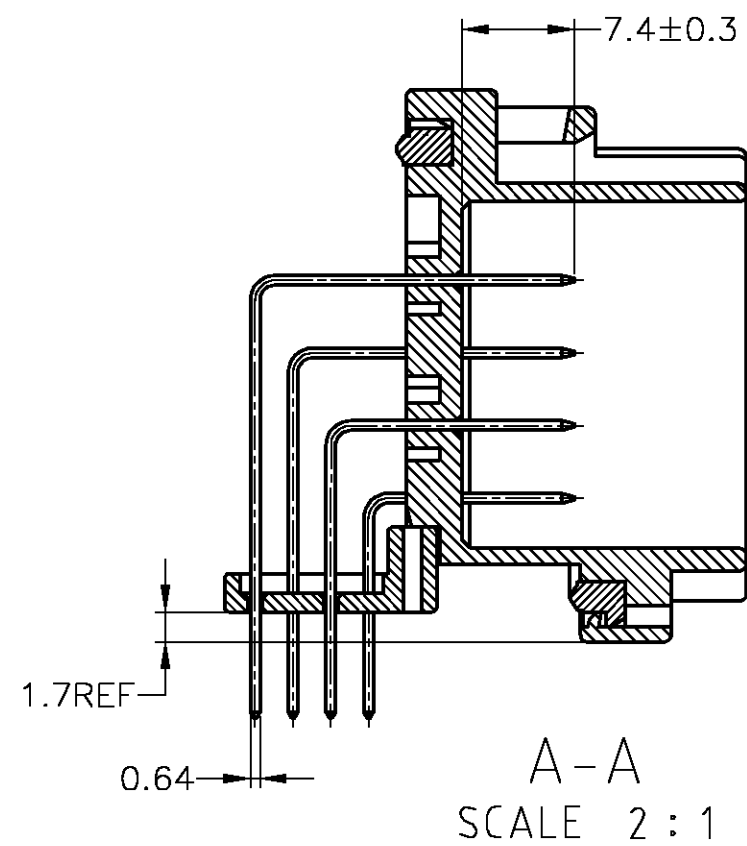
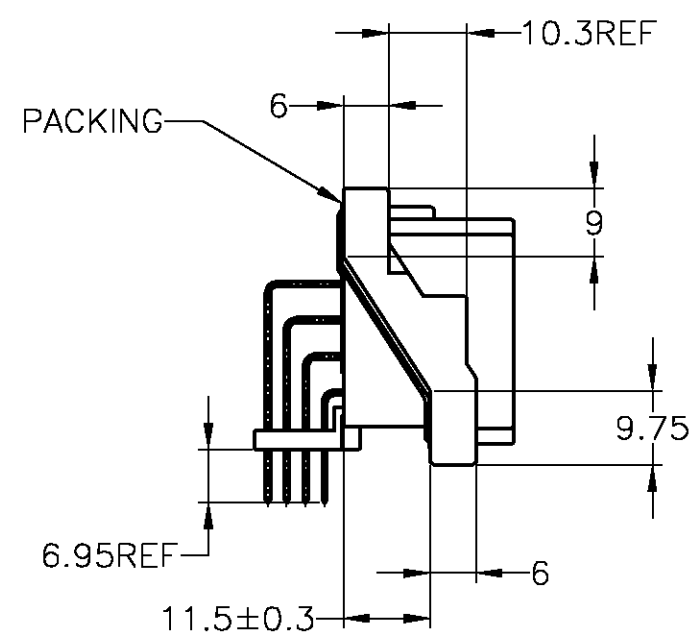
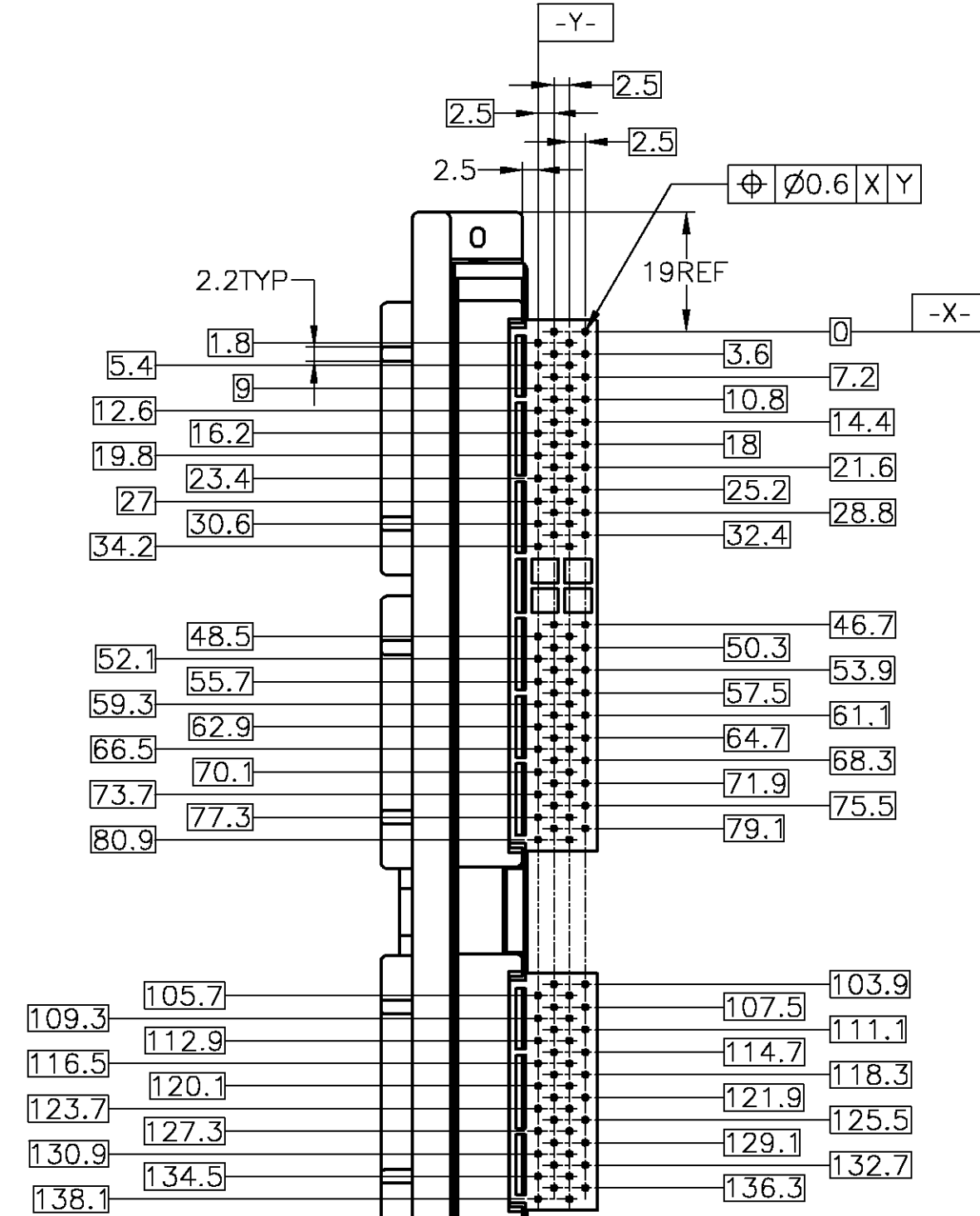
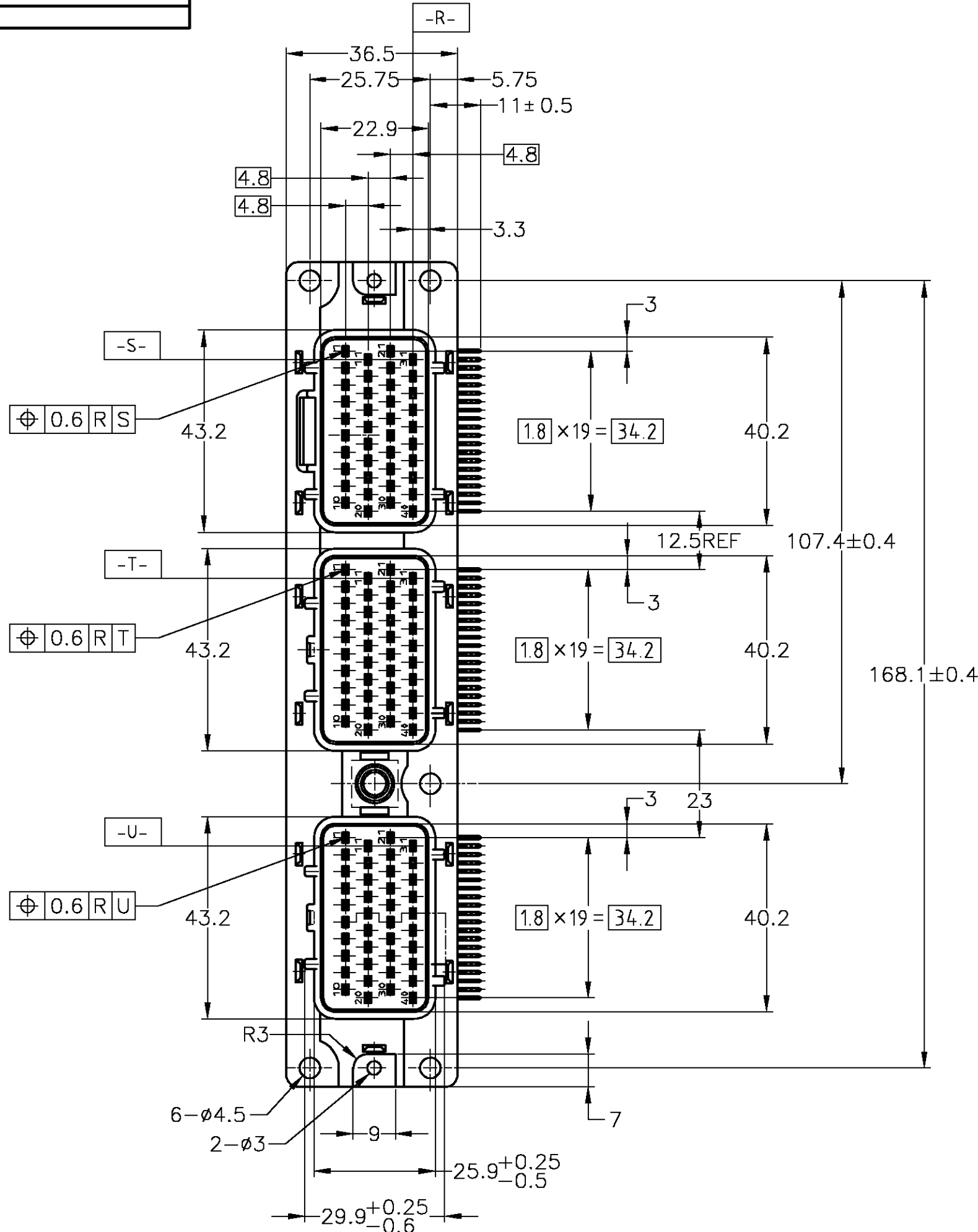
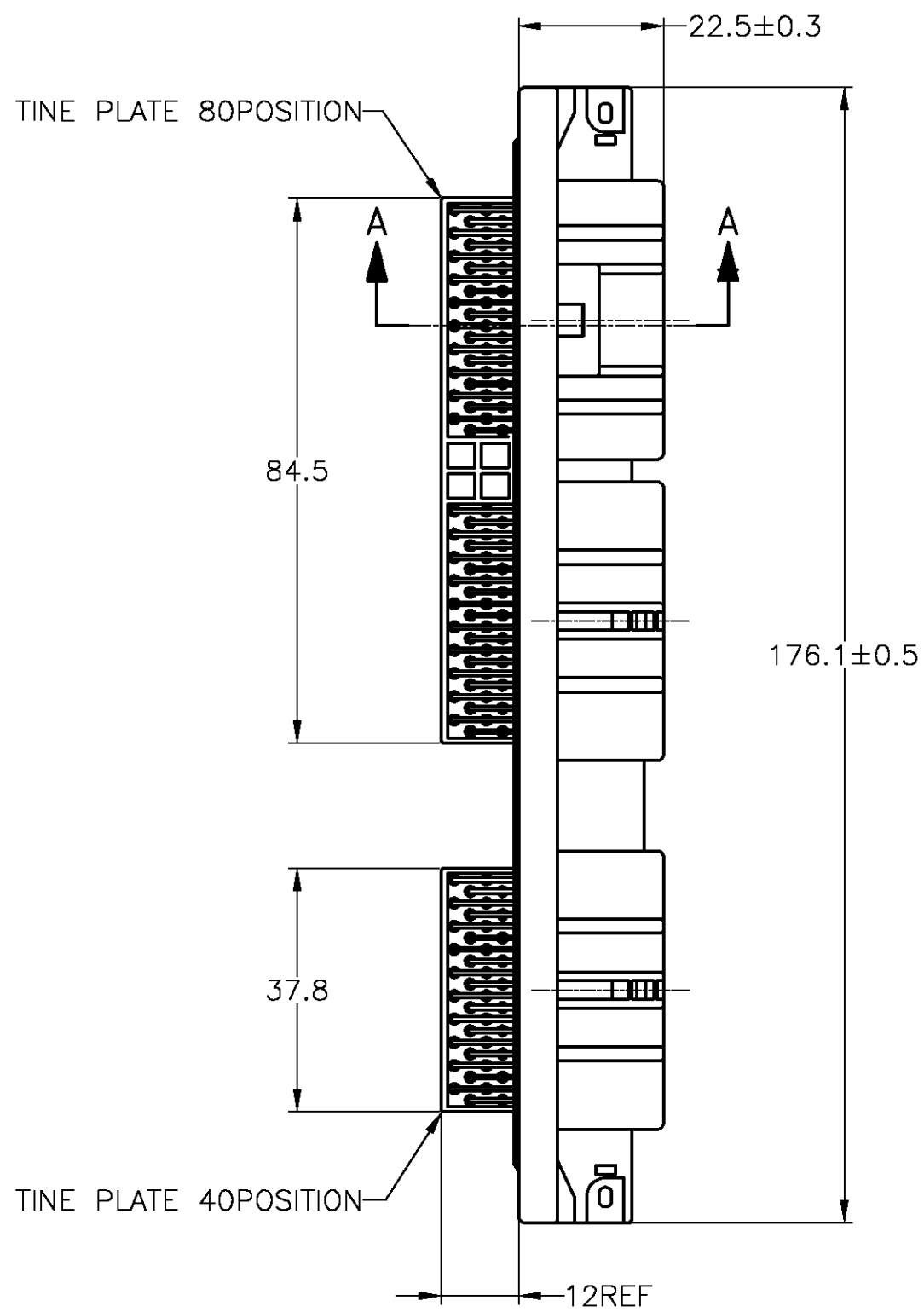


THIS DRAWING IS UNPUBLISHED. RELEASED FOR PUBLICATION
 © COPYRIGHT BY TYCO ELECTRONICS CORPORATION. ALL RIGHTS RESERVED.

LOC	DIST	REVISIONS					
J	-	P	LTR	DESCRIPTION	DATE	DWN	APVD
		B5	REVISED	ECR-08-025313	08OCT08	TS	KB



1. APPLICABLE PLUG HOUSING NUMBER; 178409, 178411
2. INSTRUCTION SHEET NUMBER; 412-5633

1. 適用嵌合相手型番; 178409, 178411
2. 取扱説明書番号; 412-5633

PLASTIC BOX 通い箱	TARY トレイ	SELECTIVE-TIN (MATTE)	SELECTIVE GOLD	GRAY	1-5178405-6
PAPER BOX ダンボール箱	TARY トレイ	SELECTIVE-TIN (MATTE)	SELECTIVE GOLD	GRAY	5178405-1
PAPER BOX ダンボール箱	TRAY トレイ	TIN-LEAD	SELECTIVE GOLD	GRAY	1-178405-6
PAPER BOX ダンボール箱	TRAY トレイ	TIN-LEAD	SELECTIVE GOLD	GRAY	178405-1
OUTER 外装	INNER 内装	SOLDERING SIDE 半田付け部	CONTACT SIDE 嵌合部側	COLOR 色	PART NUMBER 製品型番
PACKING STYLE 梱包形態		CONTACT FINISH コンタクト仕上			

THIS DRAWING IS A CONTROLLED DOCUMENT.

DWN T.SHINOHARA 19FEB08	CHK K.BETSUI 18FEB08	APVD K.BETSUI 18FEB08	NAME 040 SERIES SEALED PAIR MATE CONNECTOR 120POSITION CAP HOUSING ASSEMBLY
DIMENSIONS: 単位: 特 mm		TOLERANCES UNLESS OTHERWISE SPECIFIED: 一般公差	
MATERIAL 材料		FINISH 仕上	
PACKING: RUBBER HOUSING: PBT CONTACT: BRASS		WEIGHT	

Tyco Electronics Corporation
Kawasaki, Japan

SCALE 1:1 SHEET 1 of 1 REV B5