

General Description

The GX62476B is a very low-power, high-performance, quad-channel linear driver, designed for 100G and 200G optical transmitters for metro applications. The GX62476B is a small form factor (SFF) packaged surface mount device (SMD) with differential inputs and single-ended outputs consisting of 4 x 32Gb/s broadband amplifier channels, including high-frequency chokes, each capable of driving a linear output voltage of 5V_{pp}, suitable for multi-level modulation applications.

Device Diagram

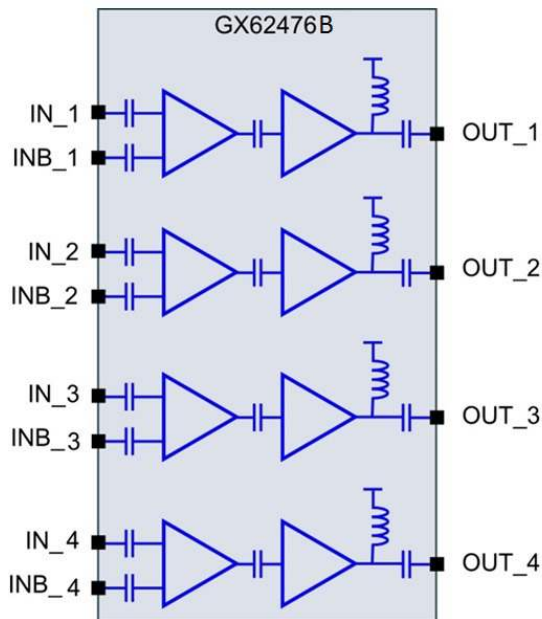


Figure 1: Device diagram

Applications

- 100Gb/s systems using DP-QPSK
- 200Gb/s & 400Gb/s advanced multi-level modulation systems

Features

- Data rate up to 32Gb/s per channel for 100G/200G/400G DP-QPSK applications
- Linear single-ended output voltage up to 5V_{pp}
- 15dB dynamic range of gain control
- 1.1 W (typ.) P_D/channel @ linear 5 V_{pp}
- 0.75 W (typ.) P_D/channel @ linear 3 V_{pp}
- Ultra-low inter-channel cross-talk
- Small form factor SMD
- Internal high-frequency supply chokes
- Internally DC-blocked RF inputs and outputs
- Peak detector & reference voltage

Ordering Information

Part	Temperature Range	Package
GX62476B-HIU	-5°C to +85°C	SMD 10mm x 14mm

For price, delivery schedules, and to place orders, please contact IDT: www.IDT.com/go/sales

**Corporate Headquarters**

6024 Silver Creek Valley Road
San Jose, CA 95138

www.IDT.com

Sales

1-800-345-7015 or 408-284-8200
Fax: 408-284-2775

www.IDT.com/go/sales

Tech Support

www.IDT.com/go/support

DISCLAIMER Integrated Device Technology, Inc. (IDT) and its affiliated companies (herein referred to as "IDT") reserve the right to modify the products and/or specifications described herein at any time, without notice, at IDT's sole discretion. Performance specifications and operating parameters of the described products are determined in an independent state and are not guaranteed to perform the same way when installed in customer products. The information contained herein is provided without representation or warranty of any kind, whether express or implied, including, but not limited to, the suitability of IDT's products for any particular purpose, an implied warranty of merchantability, or non-infringement of the intellectual property rights of others. This document is presented only as a guide and does not convey any license under intellectual property rights of IDT or any third parties.

IDT's products are not intended for use in applications involving extreme environmental conditions or in life support systems or similar devices where the failure or malfunction of an IDT product can be reasonably expected to significantly affect the health or safety of users. Anyone using an IDT product in such a manner does so at their own risk, absent an express, written agreement by IDT.

Integrated Device Technology, IDT and the IDT logo are trademarks or registered trademarks of IDT and its subsidiaries in the United States and other countries. Other trademarks used herein are the property of IDT or their respective third party owners. For datasheet type definitions and a glossary of common terms, visit www.idt.com/go/glossary. All contents of this document are copyright of Integrated Device Technology, Inc. All rights reserved.