



APPROVAL SHEET

Customer Name .: STD

Model Name.: Heatsink

Model Name.: DHS-B9090-11A

Customer Part No.: ---

Spec Issue Date .: . 10/8/2012

Spec Revision : 00

PLEASE SEND ONE COPY OF THIS SPECIFICATION BACK AFTER YOU
SIGNED APPROVAL FOR PRODUCTION PRE-ARRANGMENT.

Approved By: _____

Date: _____

Approval	Check	Designer
<i>Charles. Chen</i>	<i>Charles. Chen</i>	<i>Sheila. Hu</i>



Delta Electronics Corp.

REV.	Description	Drawn	Checked	Approved	Issue Date
00	ISSUE SPEC	Sheila Hu	Charles Chen	Charles Chen	10/8'12
Description: SAMPLE REVISION CODE LIST					
Part No.					REV
DELTA MODEL : DHS-B9090-11A			TOTAL 10 PAGE		00



Delta Electronics Corp.

CONTENTS

Item	Element Description	Page	Note
1	Specification	4	
2	Print	5	
3	Packing Plan	8	



Delta Electronics Corp.

1. SPECIFICATION

1.1. Characters

Item	Description
Scope	THIS SPECIFICATION DEFINES THE ELECTRICAL AND MECHANICAL CHARACTERISTICS OF THE HEATSINK
Application	INTEL LGA1366 CPU HEATSINK
Specification	
a: Thermal Resistance	0.263 °C/W@16CFM (REF.)
b: total weight	410 g (REF.)
c: clip force	16 Kg (REF.)

1.2. BOM

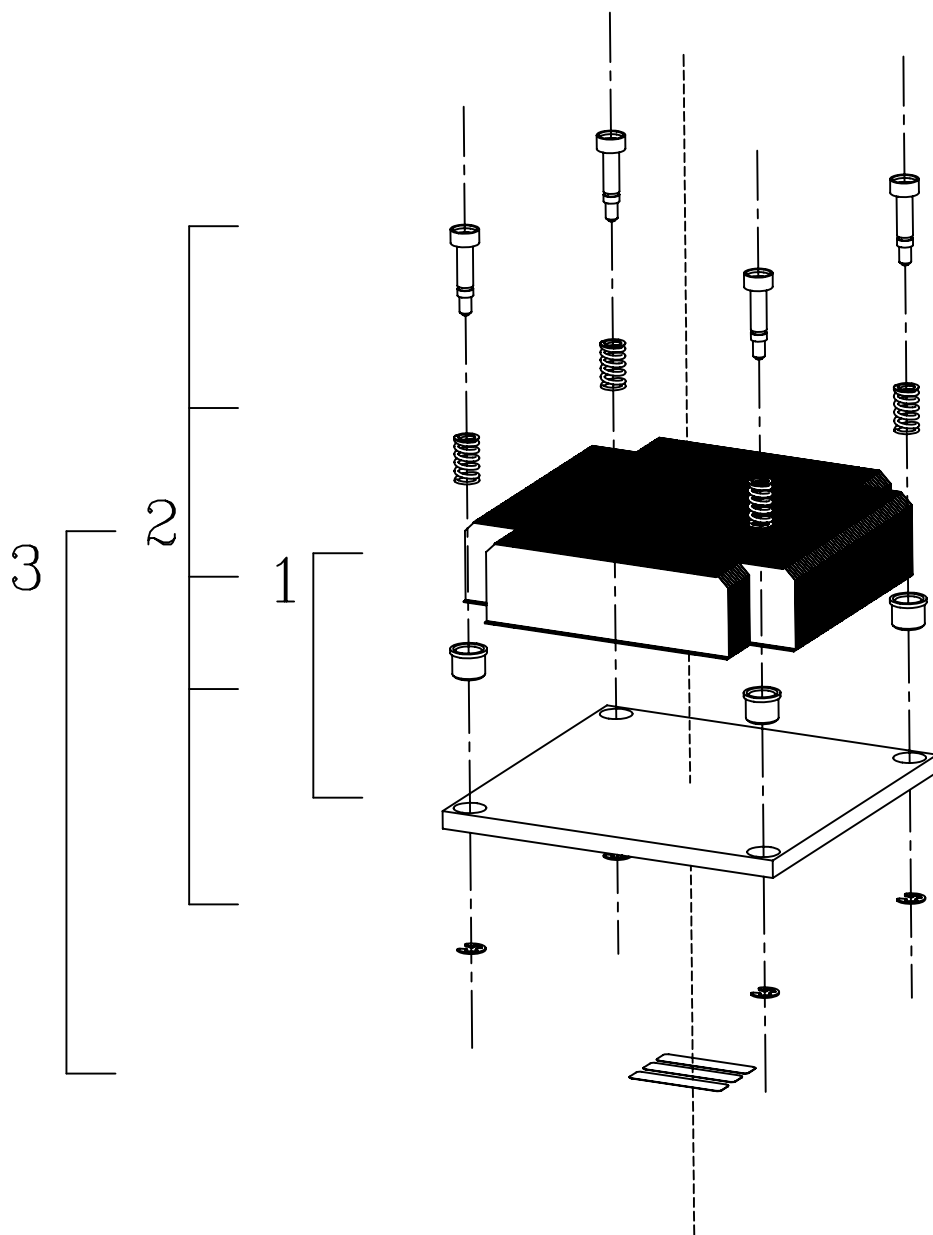
Item	Part Name	Material	Part NO.	Q'TY	Remark
1	FIN	AL 1050	3346397700	1 PCE	
2	CU BASE	C 1100	3346445000	1 PCE	
3	SOLDER	SN42/BI58	4090207000	4.9 g	
4	CAP	SUS 303	3462384700	4 PCE	
5	SCREW	SUS 410	3534205600	4 PCE	
6	SPRING	SWPA	3461809700	4 PCE	
7	E CLIP	S50C	3110262800	4 PCE	
8	TIM	TC-1996	4021101500	0.25 g	
9	EPE	EPE	3502541900	1PCE	
10	TRAY	PET	3503111100	1PCE	
11	BOX	PAPER	3518132100	1PCE	
12	PAD PAPER	PAPER	3516261800	0.156PCE	
13	CARTON	PAPER	3513701700	0.031PCE	
14	DATECODE	POLYESTER	3265081000	1PCE	
15	BOX LABEL	PAPER	3261447400	0.031PCE	



Delta Electronics Corp.

2. PRINT

2.1. Assembly Drawing



SCREW (4X)
3534205600

SPRING (4X)
3461809700

FIN ASSY
3346397700

CAP (4X)
3462384700

CU BASE
3346445000

E CLIP (4X)
3110262800

TC-1996
4021101500



台達電子工業股份有限公司
DELTA ELECTRONICS, INC.

DELTA MODEL:
DHS-B9090-11A

Drawn:
Sheila

THESE DRAWINGS AND SPECIFICATIONS ARE THE PROPERTY OF DELTA ELECTRONICS, INC. AND SHALL NOT BE REPRODUCED OR USED AS THE BASIS FOR THE MANUFACTURE OR SELL OF APPARATUSES OR DEVICES WITHOUT PERMISSION.

CUSTOMER NAME: STD

CUSTOMER P/N: ---

DIMENSIONAL TOLERANCES		HOLES: ±0.05 ANGLES: ±0.5°							
()	()	()	()	()	()				
<30	±0.25	DECIMALS	UP-100	±0.2	250-300	±0.4	UP-600	±1.5	
>30-100	±0.35	X	±0.3	100-150	±0.25	300-350	±0.45	600-900	±2.4
>100-300	±0.5	XX	±0.2	150-200	±0.3	350-400	±0.5	900-OVER	±3.1
ABOVE 300	±0.6	X.XX	±0.1	200-250	±0.35				



Description: PRODUCTION SPEC.
(ASSEMBLY ORDER)

A4
SIZE

Part No. DHS-B9090-11A-AS

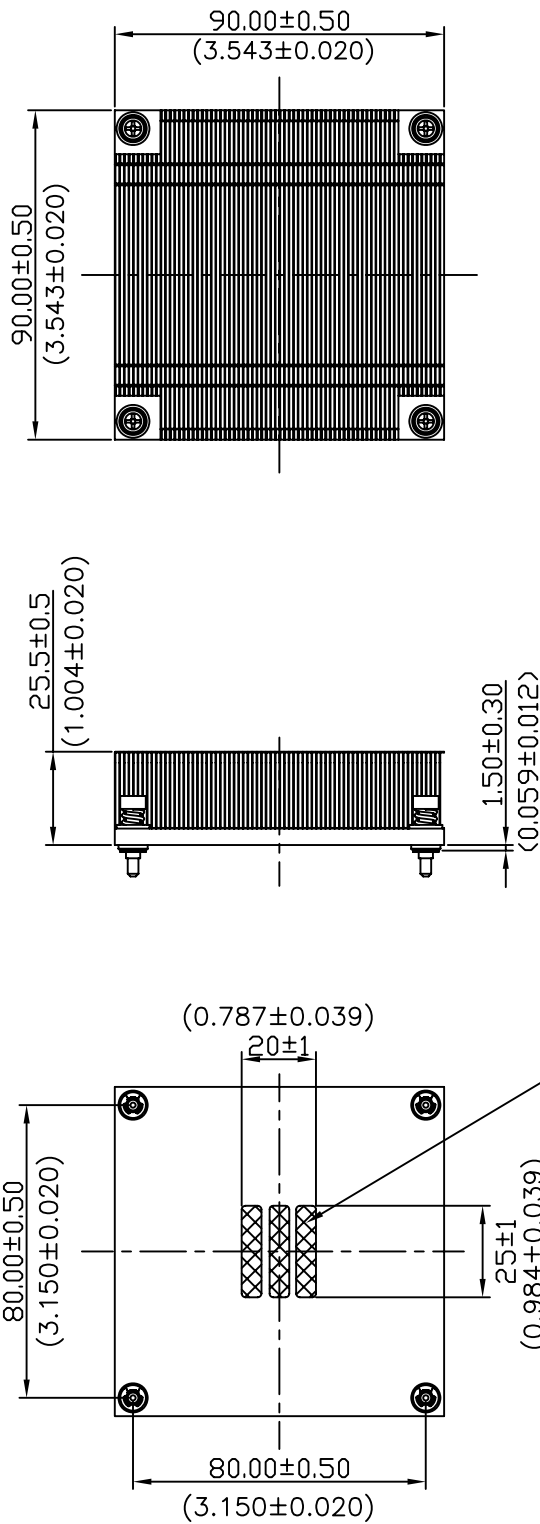
REV.

SHEET 1 OF 1 ISSUE DATE:

--



SCALE --- UNIT --- USED ON COOLER

DRAWING:



Dow Corning TC-1996 P/N:4021101500
 *STENCIL THICKNESS=0.20(TYP.) 0.22(MAX.)
 TIM WEIGHT ON HSK MUST BE 250mg±30mg

UNIT: $\frac{\text{mm}}{\text{INCH}}$

 台達電子工業股份有限公司 DELTA ELECTRONICS, INC.	DELTA MODEL:	Drawn:
	DHS-B9090-11A	Sheila
THESE DRAWINGS AND SPECIFICATIONS ARE THE PROPERTY OF DELTA ELECTRONICS, INC. AND SHALL NOT BE REPRODUCED OR USED AS THE BASIS FOR THE MANUFACTURE OR SELL OF APPARATUSES OR DEVICES WITHOUT PERMISSION.	CUSTOMER NAME:	STD
	CUSTOMER P/N:	---
DIMENSIONAL TOLERANCES () () () () <30 :±0.25 DECIMALS UP-100 :±0.2 250-300 :±0.4 UP-600 :±1.5 >30-100 :±0.35 X :±0.3 100-150 :±0.25 300-350 :±0.45 600-900 :±2.4 >100-300 :±0.5 X.X :±0.2 150-200 :±0.3 350-400 :±0.5 900-OVER :±3.1 ABOVE 300 :±0.6 X.XX :±0.1 200-250 :±0.35	 Description:	PRODUCTION SPEC. (PHYSICAL DIMENSION)
	A4 SIZE	Part No. DHS-B9090-11A-PD
SCALE --- UNIT --- USED ON COOLER	SHEET 1 OF 1	ISSUE DATE:



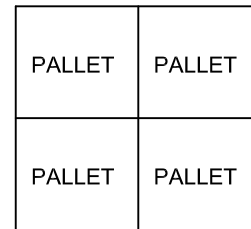
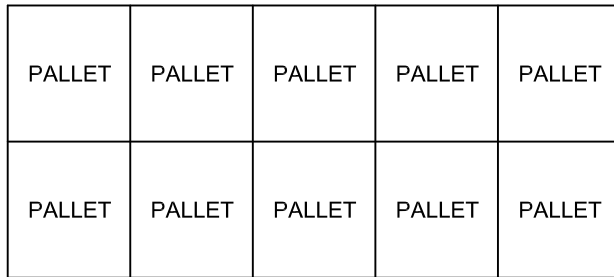
Delta Electronics Corp.

3. PACKING PLAN

PART NO.	DHS-B9090-11A				
BASIC DATA	QUANTITY/CARTON	32PCS (4 LAYERS/CARTON, 8PCS/LAYER)			
	PRODUCTION NET WEIGHT	13.3kg (REF.)			
	PRODUCTION GROSS WEIGHT	15.1kg (REF.)			
20(ft)CONTAINER ILLUSTRATE	SIZE	5.889(L)*2.352(w)*2.386(H)m		PACKING QUANTITY	20PALLET/CONTAINER
	CONTAINER	STEEL			

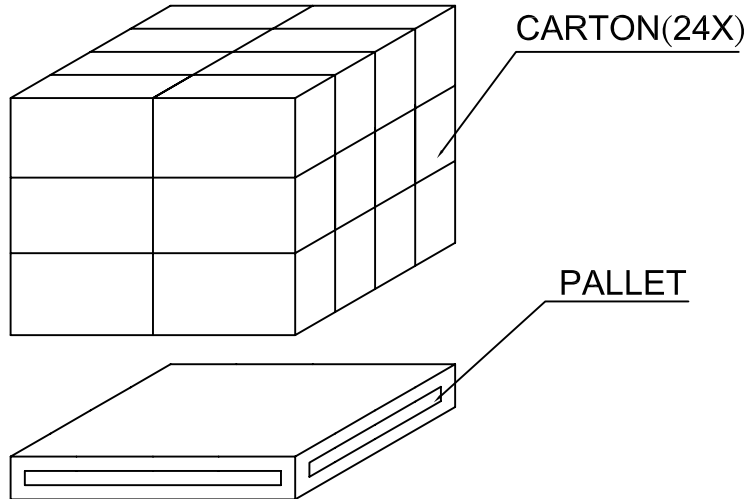
CONTAINER FORM

CONTAINER LOADING MATHOD



PALLET LOADING ILLUSTRATE	SIZE	117(L)*107(w)*11(H)cm	PACKING QUANTITY	24 CARTONS/PALLET
	PALLET	PLYWOOD		

PALLET ILLUSTRATE



台達電子工業股份有限公司
DELTA ELECTRONICS, INC.

DELTA MODEL:	Drawn:
DHS-B9090-11A	Sheila

THESE DRAWINGS AND SPECIFICATIONS ARE THE PROPERTY OF DELTA ELECTRONICS, INC. AND SHALL NOT BE REPRODUCED OR USED AS THE BASIS FOR THE MANUFACTURE OR SELL OF APPARATUSES OR DEVICES WITHOUT PERMISSION.

CUSTOMER NAME:	STD
CUSTOMER P/N:	---

DIMENSIONAL TOLERANCES		HOLES : ±0.05 ANGLES : ±0.5°	
()	()	()	()
<30	±0.25	DECIMALS	UP-100 ±0.2
>30-100	±0.35	X ±0.3	100-150 ±0.25
>100-300	±0.5	XX ±0.2	150-200 ±0.3
ABOVE 300	±0.6	X.XX ±0.1	200-250 ±0.35
			250-300 ±0.4
			300-350 ±0.45
			350-400 ±0.5
			400-600 ±1.5
			600-900 ±2.4
			900-OVER ±3.1

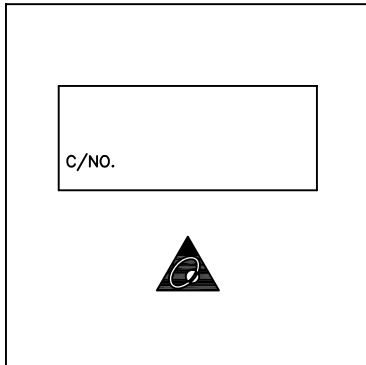
 THIRD ANGLE PROJECTION	Description:	PRODUCTION SPEC. (PACKING ASSMEBLY)
	Part No.	DHS-B9090-11A-PA
A4 SIZE	REV.	00
	SHEET	1 OF 2
	ISSUE DATE:	

SCALE	---	UNIT	---	USED ON	COOLER
-------	-----	------	-----	---------	--------

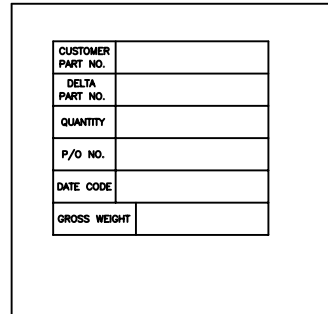
CARTON ILLUSTRATE	SIZE	498(L)*298(w)*166(H)(mm)	PACKING QUANTITY	3LAYERS/CARTON
	MATERIAL	4 LAYERS"AB" FLUTE	CARTON WEIGHT	0.8 kg (REF.)

CARTON OUTSIDE DEMONDTRATE

FRONT



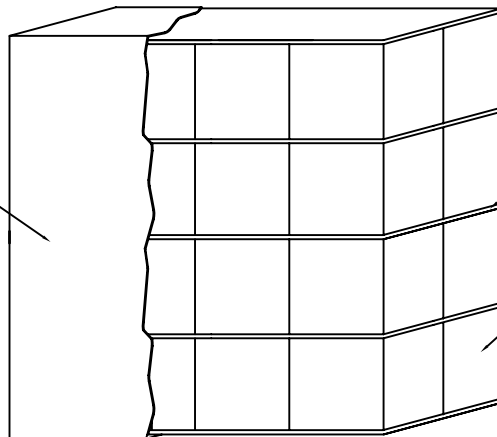
BACK



(ONE LABEL PER CARTON)

BOX PACKING ILLUSTRATE	SIZE	126(L)*110(w)*50(H)(mm)	PACKING QUANTITY	1PCS/PET TRAY
	MATERIAL	PET TRAY		
	MATERIAL WEIGHT	30g (REF.)		

CARTON
(3513701700)



PAPER PAD (5X)
(3516261800)

BOX (32X)
(3518132100)



台達電子工業股份有限公司
DELTA ELECTRONICS, INC.

DELTA MODEL:
DHS-B9090-11A

Drawn:
Sheila

THESE DRAWINGS AND SPECIFICATIONS ARE THE PROPERTY OF DELTA ELECTRONICS, INC. AND SHALL NOT BE REPRODUCED OR USED AS THE BASIS FOR THE MANUFACTURE OR SELL OF APPARATUSES OR DEVICES WITHOUT PERMISSION.

CUSTOMER NAME: STD

CUSTOMER P/N: ---

DIMENSIONAL TOLERANCES		HOLES : ±0.05		ANGLES : ±0.5°	
()	()	()	()	()	()
<30	±0.25	DECIMALS	UP-100 ±0.2	250-300 ±0.4	UP-600 ±1.5
>30-100	±0.35	X ±0.3	100-150 ±0.25	300-350 ±0.45	600-900 ±2.4
>100-300	±0.5	XX ±0.2	150-200 ±0.3	350-400 ±0.5	900-OVER ±3.1
ABOVE 300	±0.6	XXX ±0.1	200-250 ±0.35		



Description: PRODUCTION SPEC.

A4

Part No. DHS-B9090-11A-PA

REV.

00

SHEET 2 OF 2 ISSUE DATE:

SCALE --- UNIT --- USED ON COOLER