

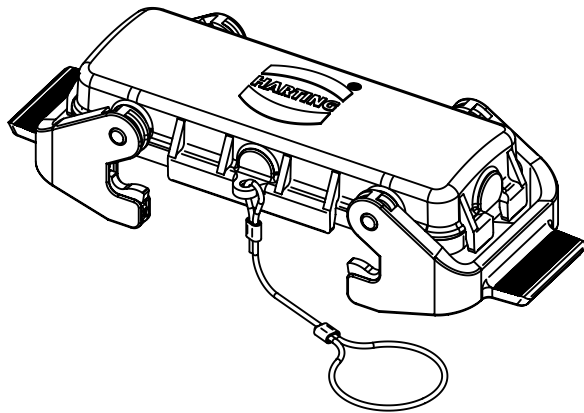
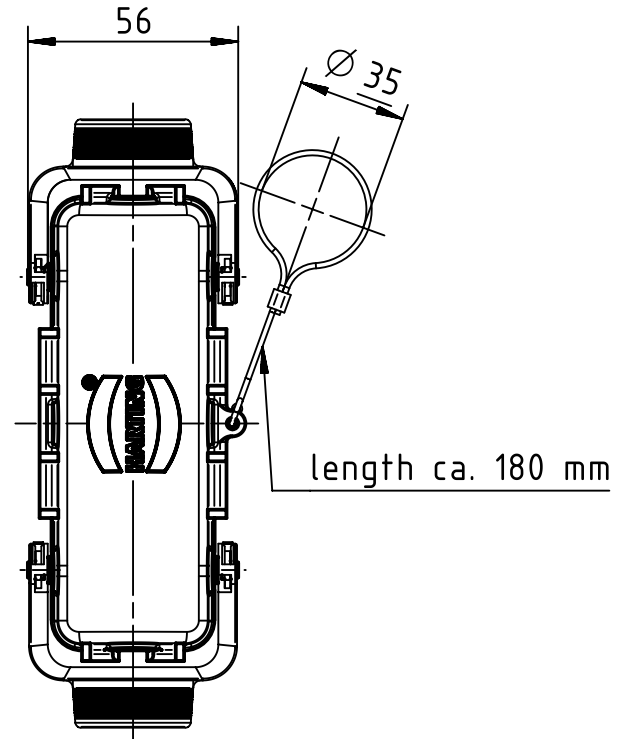
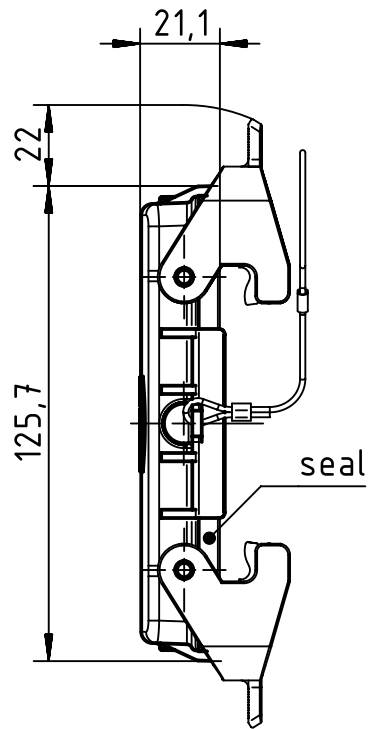
1 2 3 4 5 6

A

B

C

D



	All Dimensions in mm Original Size DIN A4	Scale 1:2		Free size tol.		Ref.	
						Sub.	
	All rights reserved Department EL PD - DE	Created by SCHULZI	Inspected by BERGHORN	Standardisation SCHMIDTM	Date 2013-07-03	State Final Release	
		Title Han 24B-AK-QB-Dichtung					Doc-Key / ECM-Nr. 100171324/UGD/004/A 500000063769
HARTING Electric GmbH & Co. KG D-32339 Espelkamp		Type TB	Number 09 30 024 5423			Rev. A	Page 1/1