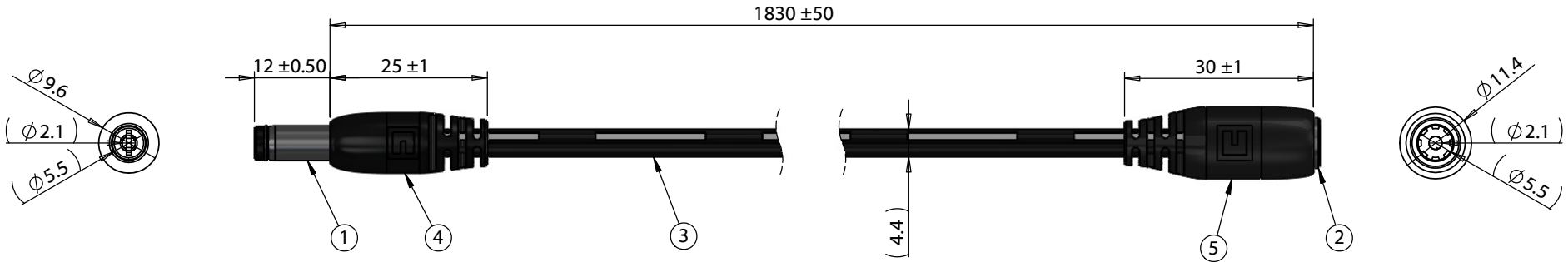


ITEM NO.	PART NUMBER	DESCRIPTION	QTY.	NOTES
1	50-00024	Connector, dc plug, 5.5x2.1xL23 mm, molding style, spring contacts	1	
2	50-00025	Connector, dc jack, 5.5x2.1xL17.4 mm, molding style	1	
3	30-00007	Wire, 2C BC, 18 AWG, UL2468, 300V, 80C, 4.4 mm, VW-1, PVC, 87A	1	
4	24-00003	Overmold, PVC, black	1	
5	24-00004	Overmold, PVC, black	1	



**Notes:**  
Functionally equivalent components may be substituted  
Cable rated for 48 V, 7 A

Wiring diagram		
50-00024	Wire Color	50-00025
Center	Black with stripe	Center
Sleeve	Black	Sleeve

Revision:	Date:	Description:	Prepared:	Notes:	<h1>TENSILITY</h1> tel 1.541.323.3228 800 877.670.7118 fax 1.541.323.4202 web tensility.com
A	6/28/2012	Initial release	AW <small>Digitally signed by AW Date: 2019.10.25 09:40:01 -0700'</small>		
			Verified:	Function test: no open, no short circuit, no intermittent	Size: Part number: A 10-01069
			PS <small>Digitally signed by PS Date: 2019.10.25 16:13:05 -0700'</small>		
			Dimensions are in millimeters. Tolerances: X: ± 0.5 mm X.X: ± 0.3 mm X.XX: ± 0.05 mm	Description:	Scale: 1:2
				Cable, 1830 mm, 5.5x2.1x12 mm 50-00024 dc plug to 5.5x2.1 mm 50-00025 dc jack, 18 AWG, 30-00007 wire	Sheet 1 of 1

5

4

3

2

1