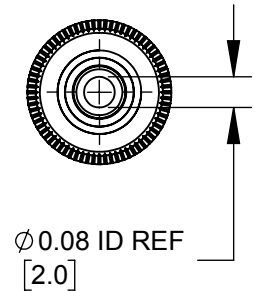
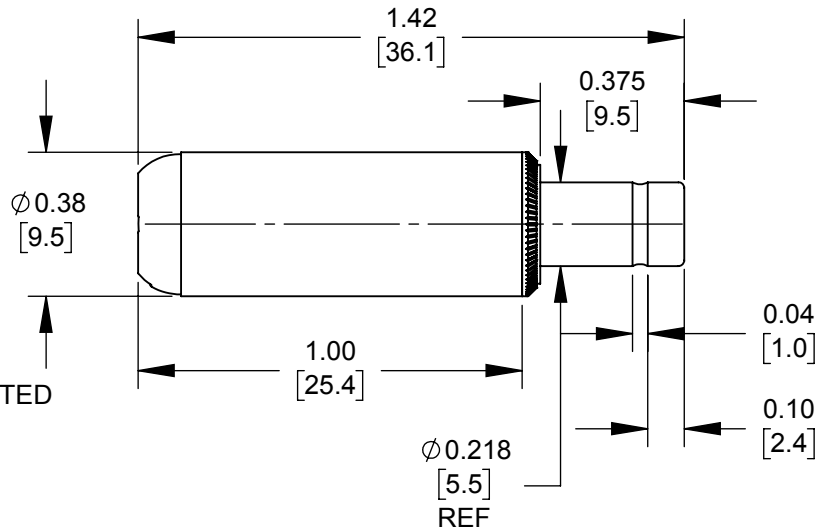
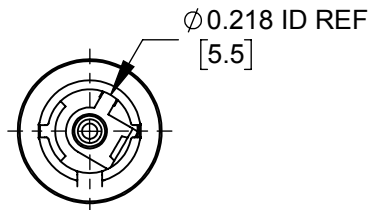


PART NUMBER	HANDLE COLOR
S760HZ	BLACK
S765HZ	RED



NOTES:

- MATERIALS:
 CONDUCTORS - COPPER ALLOY, NICKEL PLATED
 TERMINALS - COPPER ALLOY, TIN PLATED
 INSULATORS & HANDLE - THERMOPLASTIC
- THIS PRODUCT IS RoHS COMPLIANT.

CUSTOMER DRAWING

THIS DRAWING DESCRIBES A DESIGN CONSIDERED PROPRIETARY IN NATURE, DEVELOPED AND MANUFACTURED BY SWITCHCRAFT INC. AND IS RELEASED ON A CONFIDENTIAL BASIS FOR IDENTIFICATION PURPOSES ONLY.

					UNLESS OTHERWISE SPECIFIED					SIZE * WIDTH * MULT * LBS/M * TEMPER *				
					1. ALL DIMENSIONS IN INCHES [mm]					FINISH * MATERIAL *				
					- TWO PLACE DECIMALS ±0.02 [0.5]					SPEC No. * MATERIAL *				
					- THREE PLACE DECIMALS ±0.005 [0.13]					FIRST USED ON * SCALE 2:1				
										DATE DRAWN BY CHKD APVD				
										11/06/19 AM * *				
										NAME Ø 0.08 [2.0]mm X 0.375 LONG PART No. S760HZ-S765HZ				
										REV 0A				
REV ECO NUMBER DATE BY APVD					DO NOT SCALE DRAWING					SHEET 1 OF 1				
REVISIONS														

