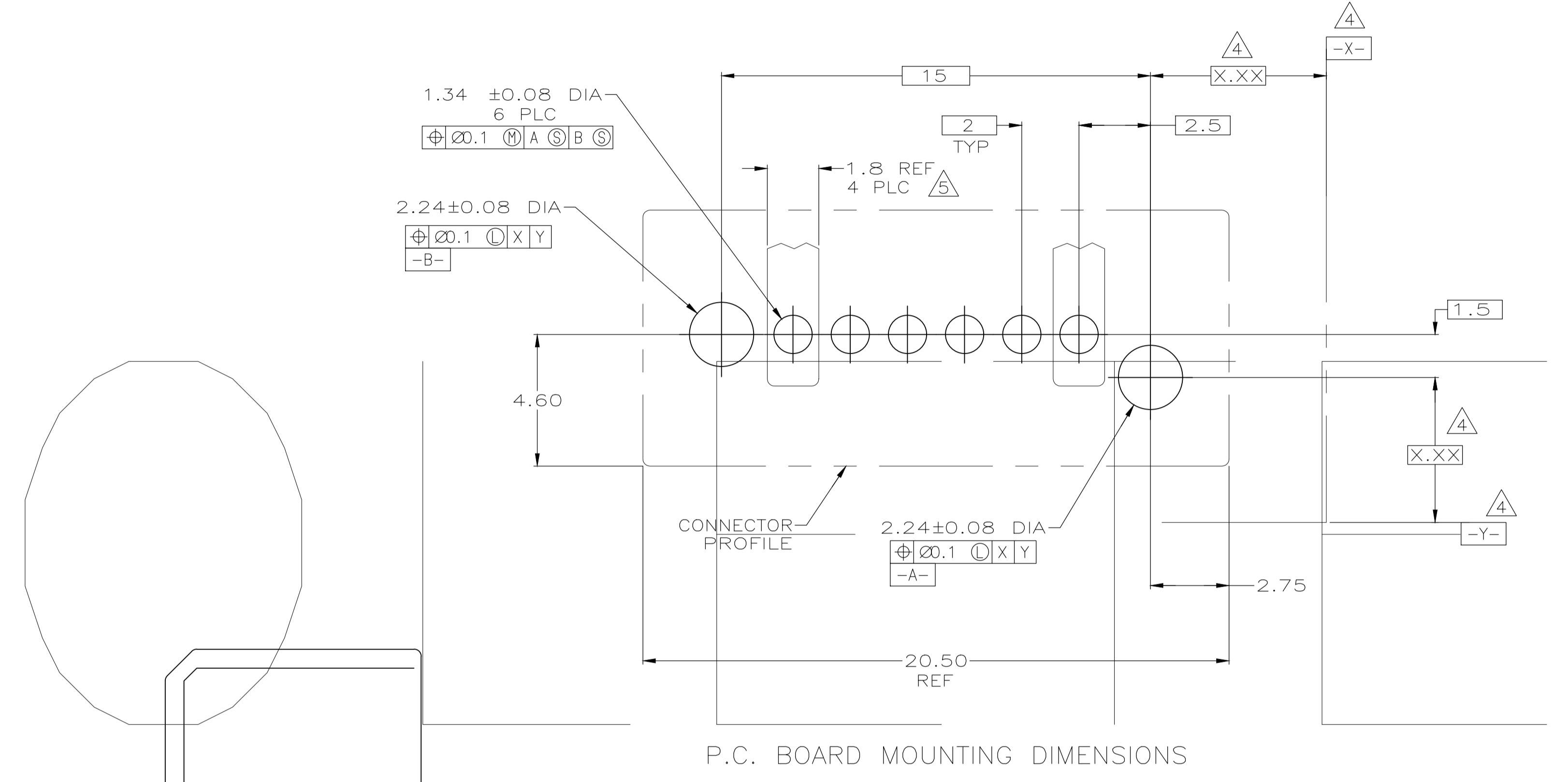
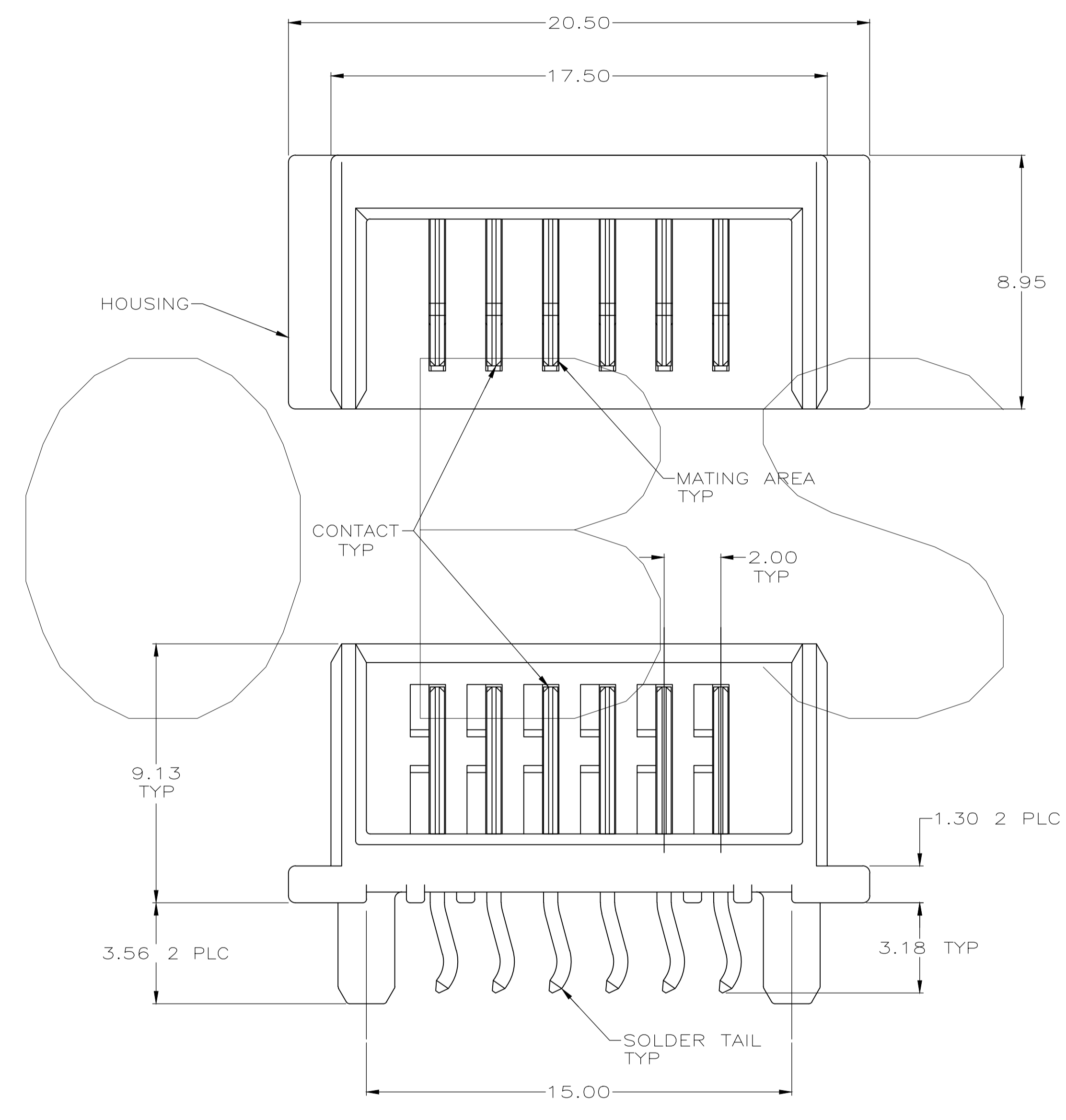


THIS DRAWING IS UNPUBLISHED.  
 RELEASED FOR PUBLICATION  
 © COPYRIGHT - TE Connectivity Ltd. ALL RIGHTS RESERVED.

REVISIONS				
P	LTR	DESCRIPTION	DATE	OWN APVD
F1		OBSOLETE	05JUN2019	K.G W.H



- ⚠ SPS, UL 94V-0 RATED, BLACK.
- ⚠ BRASS.
- ⚠ .076μm MINIMUM GOLD OVER 0.76μm MINIMUM PALLADIUM NICKEL ON MATING AREA, 3.80μm MINIMUM TIN-LEAD ON SOLDER TAIL, ALL OVER 1.27 μm MINIMUM NICKEL.
- ⚠ DATUMS AND DIMENSIONS ESTABLISHED BY CUSTOMER.
- ⚠ RECOMMENDED MINIMUM TRACE WIDTH FOR END POSITIONS WHEN CARRYING 3 AMPS: 1.8 WIDE x 55μm THICK, BOTH SIDES.

THIS DRAWING IS A CONTROLLED DOCUMENT.		OWN M.E. SHIRK 06/09/94	TE Connectivity																						
DIMENSIONS: INCHES		OW WAYNE DAVIS 06/09/94	NAME HEADER ASSEMBLY, 6 POSITION, MDI																						
TOLERANCES UNLESS OTHERWISE SPECIFIED:		APVD	RESTRICTED TO																						
<table border="1"> <tr><td>0 PLC</td><td>±</td><td>-</td></tr> <tr><td>1 PLC</td><td>±</td><td>-</td></tr> <tr><td>2 PLC</td><td>±</td><td>0.13</td></tr> <tr><td>3 PLC</td><td>±</td><td>-</td></tr> <tr><td>4 PLC</td><td>±</td><td>-</td></tr> <tr><td>ANGLES</td><td>±</td><td>-</td></tr> <tr><td>FINISH</td><td></td><td></td></tr> </table>		0 PLC	±	-	1 PLC	±	-	2 PLC	±	0.13	3 PLC	±	-	4 PLC	±	-	ANGLES	±	-	FINISH			PRODUCT SPEC	SIZE CAGE CODE DRAWING NO	
0 PLC	±	-																							
1 PLC	±	-																							
2 PLC	±	0.13																							
3 PLC	±	-																							
4 PLC	±	-																							
ANGLES	±	-																							
FINISH																									
MATERIAL 1		APPLICATION SPEC	A1 00779 C-787252																						
		WEIGHT 0.000000	SCALE 8:1 SHEET 1 OF 1 REV F1																						
		CUSTOMER DRAWING																							