

Material and Finish

Insulator: PBT Thermoplastic with Glass-fiber Reinforcement, UL 94V-0 Rated, Color: Black

Shell: Steel, Nickel Plated

Contact Material: Plug - Brass

Contact Plating Options:

Standard: Gold Flash on Mating End, Tin on Termination End, Nickel Underplate on Entire Contact

15 Option: 15u" Gold on Mating End, Tin on Termination End, Nickel Underplate on Entire Contact

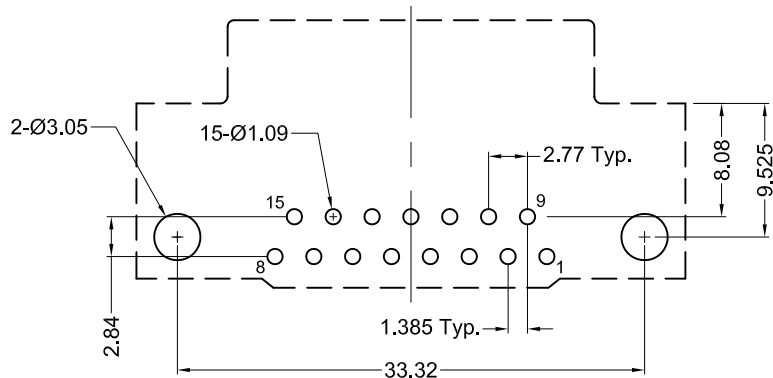
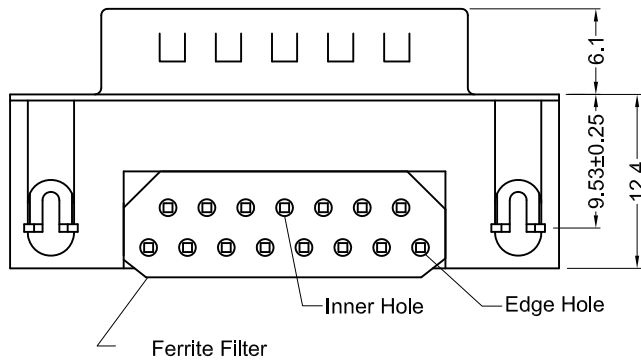
30 Option: 30u" Gold on Mating End, Tin on Termination End, Nickel Underplate on Entire Contact

Electrical Specifications

Rated Current: 2A
 Rated Voltage: 30V RMS
 Insulation Resistance: 1000 Megohms Min. at 500V DC
 Contact Resistance: 13 milliohms Max.
 Dielectric Withstanding Voltage: 1000V for 1 Minute

Mechanical Specifications

Operating Temperature: -55°C to +105°C



Recommended PCB Layout (Top View)

Ferrite Specifications		
Test Frequency	Edge Hole	Inner Hole
30 Mhz	17-27 Ohms	22-30 Ohms
50 Mhz	22-30 Ohms	29-37 Ohms
100 Mhz	29-34 Ohms	35-40 Ohms

Part Number	Contact Area Plating Finish
KF22X-A15P-N	Gold Flash (Standard)
KF22X-A15P-N15	15u" Gold (15 Option)
KF22X-A15P-N30	30u" Gold (30 Option)



Tolerances
X.X ± 0.25
X.XX ± 0.15
Unless Stated Otherwise

REV.	DATE	DESCRIPTION	REV. BY	CHK. BY	DRAWN BY	DATE
A1	02/10/06	New Drawing	R. Aguirre	H. MA	R. Aguirre	10/07/05
A2	02/21/08	ECO #07-049	S. Vien	H. MA		
A3	08/07/13	ECO #12-018	S. Vien	P. DalCanto		
A4	12/31/17	ECO #17-027	J. Elbanna	C. Furumasa		

KF22X-A15P-N

Right Angle, Ferrite D-Sub, RoHS Compliant

15 Position, Male, 0.318" Footprint

