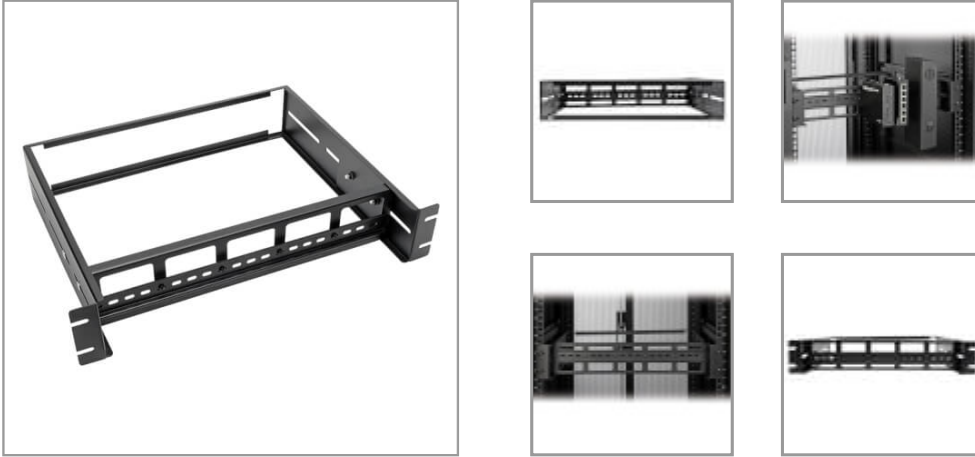


SmartRack Adjustable Rack-Mount DIN Rail Kit – Top Hat, Mini Top Hat and G-Style Rails

MODEL NUMBER: SRDINRAIL2U



DIN rail-mounting kit allows mounting of circuit breakers and other DIN rail equipment in an enclosure or open frame rack.

Features

DIN Rail-Mounting Kit Compatible with Wide Range of Equipment This 2U rack-mount DIN kit includes top hat, mini top hat and G-style rails, making it compliant with an array of DIN rail equipment, such as power supplies, bell transformers, terminal strips, programmable time switches and circuit breakers. The adjustable rails can be easily set back to match DIN rail equipment of any depth.

Premium Construction Designed to Endure in Busy Rack Applications The SRDINRAIL2U DIN rail-mounting kit is made from durable cold-rolled steel with a black powder-coated finish that blends seamlessly with your rack décor. It mounts into 2U of space in an EIA-standard 19-inch open frame rack or floor-standing rack enclosure. Rack-mounting hardware is included for quick installation right from the box.

2-Year Warranty and Environmentally Responsible Design The SRDINRAIL2U comes with a 2-year warranty. It's manufactured in compliance with strict RoHS specifications, reflecting Tripp Lite's commitment to environmental responsibility.

Highlights

- Ideal for DIN equipment, including power supplies, terminal strips and circuit breakers
- Compatible with EIA-standard 19 in. open frame racks and floor rack enclosures
- Durable cold-rolled steel construction designed to stand up to heavy use over time
- Rack-mounting hardware included for immediate installation
- Includes multiple rail-mount options, including top hat, mini top hat and G style

Applications

- Mount DIN-rail devices in a 19-inch server rack or cabinet

System Requirements

- DIN rail-mount equipment that uses top hat, mini top hat or G-style rail mounts

Package Includes

- SRDINRAIL2U Adjustable Rack-Mount DIN Rail Kit w/pre-installed top hat rail
- (4) M6 screws
- (4) M6 cage nuts
- (4) M6 cup washers
- Mini top hat rail
- G-style rail

Specifications

OVERVIEW	
UPC Code	037332213266
Accessory Type	Rack-Mount Rail Kit; Mounting Accessories
Accessory Class	Rack Accessories
PHYSICAL	
Color	Black

Rack Height	2U
Shipping Dimensions (hwd / in.)	4.20 x 15.80 x 19.40
Shipping Dimensions (hwd / cm)	10.67 x 40.13 x 49.28
Shipping Weight (lbs.)	5.90
Shipping Weight (kg)	2.68
Unit Dimensions (hwd / in.)	3.500 x 19.000 x 14.110
Unit Dimensions (hwd / cm)	8.89 x 48.2 x 35.84
Unit Weight (lbs.)	5.95
Unit Weight (kg)	2.70
Weight Capacity - Stationary (kg)	18
Weight Capacity - Stationary (lbs.)	40
STANDARDS & COMPLIANCE	
Product Compliance	RoHS; EIA/ECA-310-E
WARRANTY & SUPPORT	
Product Warranty Period (Worldwide)	2-year limited warranty