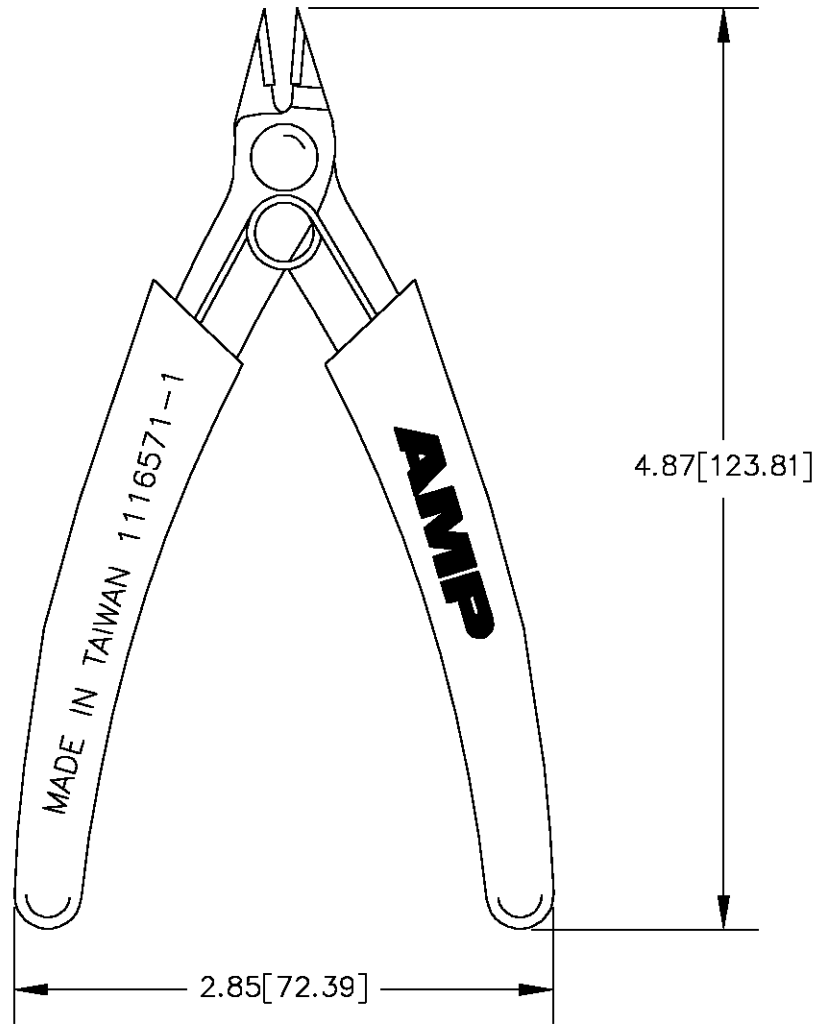


LOC AA	DIST 28	REVISIONS			
P	LTR	DESCRIPTION	DATE	DWN	APVD
	01	EC 0150-0123-04	04FEB04	WH	RS

NOTES:  
1. PACKAGED ONE TOOL PER CLAMSHELL WITH INSERT CARD.



1116571-1  
PART NO.


RELEASED FOR PUBLICATION

ALL RIGHTS RESERVED.

BY TYCO ELECTRONICS CORPORATION.

THIS DRAWING IS UNPUBLISHED.

© COPYRIGHT

DIMENSIONS: mm [INCHES]	DWN W.HOOVER	04FEB2004	MATERIAL	-	FINISH	-
	CHK R.SCHAEFFER	04FEB04	 Tyco Electronics Corporation Harrisburg, Pa 17105-3608			
TOLERANCES UNLESS OTHERWISE SPECIFIED:	APVD R.SCHAEFFER	04FEB04				
0 PLC ± -	PRODUCT SPEC		NAME			
1 PLC ± -	-		WIRE CUTTER			
2 PLC ± .01[0.25]	APPLICATION SPEC		TOOLLESS MODULAR JACK			
3 PLC ± -	-		SIZE	CAGE CODE	DRAWING NO	RESTRICTED TO
4 PLC ± -	-		A4	00779	C-1116571	-
ANGLES ± -	WEIGHT		CUSTOMER DRAWING			
	-		SCALE	1:1	SHEET 1 OF 1	REV 01

