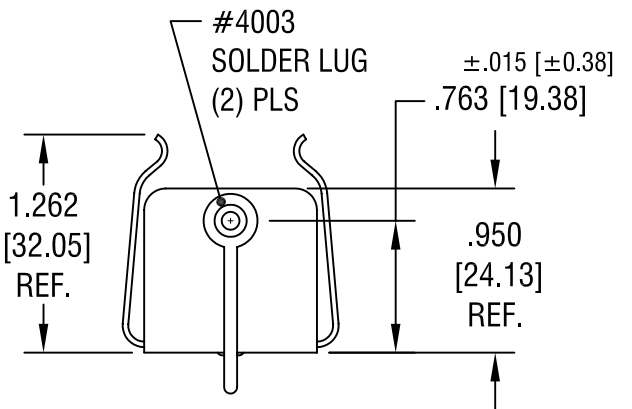
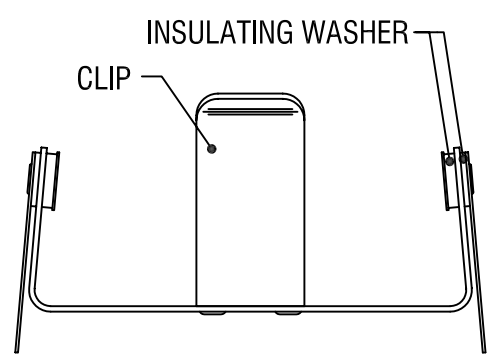
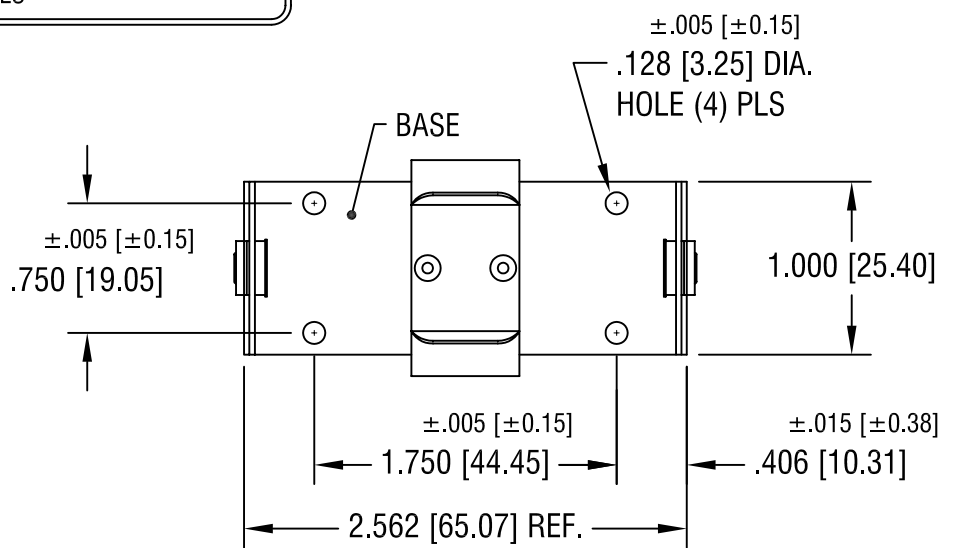
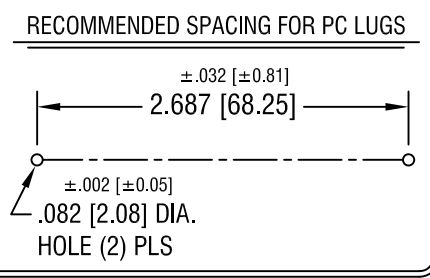


DATE	DESCRIPTION	REV.



- NOTES:**
- 1. BASE: MAT'L - .032 [.81] TH'K ALUMINUM
 - CLIP: MAT'L - .032 [.81] TH'K ALUMINUM
 - SOLDER LUG: MAT'L - BRASS
 - FINISH - TIN PLATE

KEYSTONE ELECTRONICS CORP.			
ASTORIA, N.Y. 11105-2017			
PART NAME			
BATTERY HOLDER, (1) 'D' CELL			
MATERIAL			
AS NOTED			
FINISH		DRN BY	DATE
AS NOTED		BOONE	6.22.07
		APPD	SCALE
		LN	.9X
TOLERANCES	INCH [MM]	CODE	DWG NO.
DECIMAL	±.010 [±0.25]	C	2226
ANGULAR	± 1°		
UNLESS OTHERWISE SPECIFIED			

THIS DOCUMENT IS THE PROPERTY OF KEYSTONE ELECTRONICS CORP. AND SHALL NOT BE REPRODUCED, DISTRIBUTED OR USED AS A BASIS FOR MANUFACTURE WITHOUT PRIOR WRITTEN PERMISSION FROM KEYSTONE ELECTRONICS CORP.