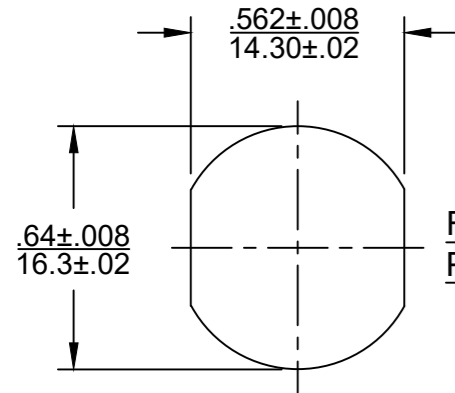
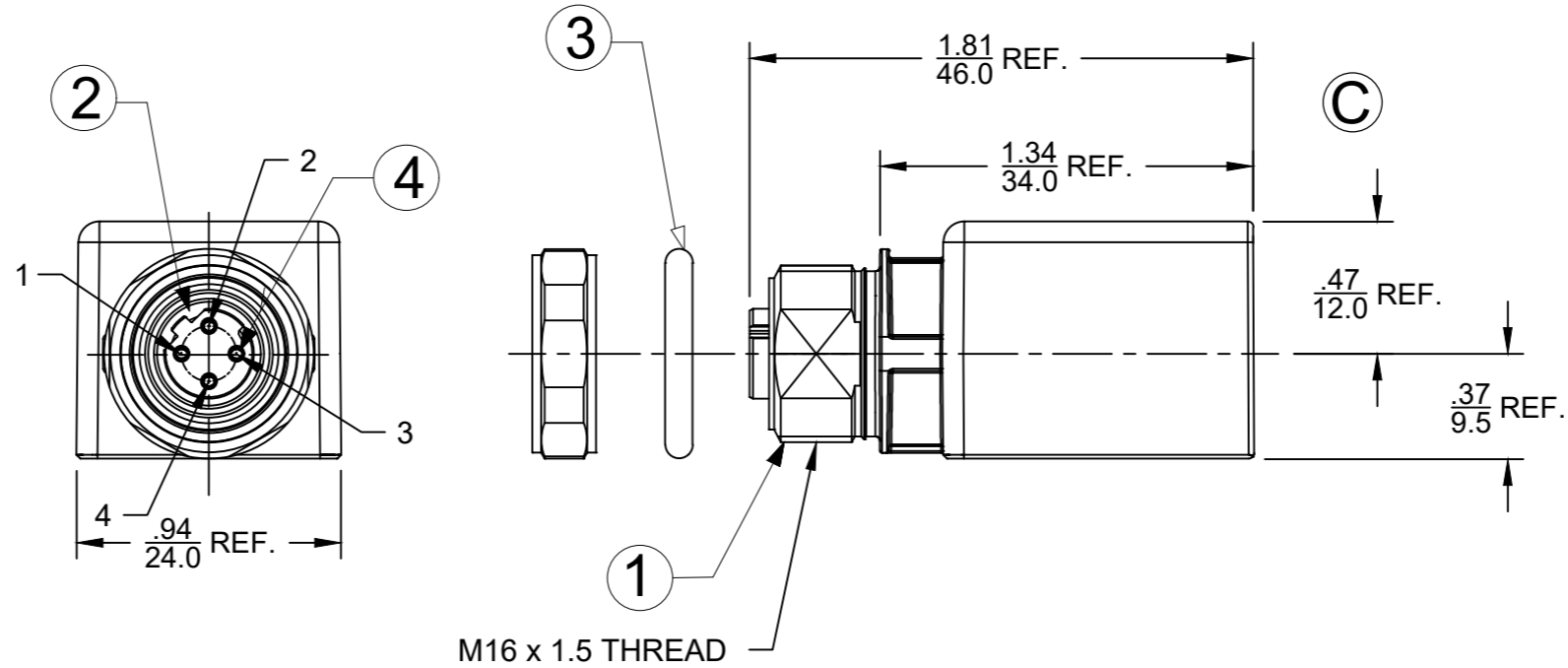


PART NO.	ENGINEERING NO.
1300540010	ER1PADAPTER90

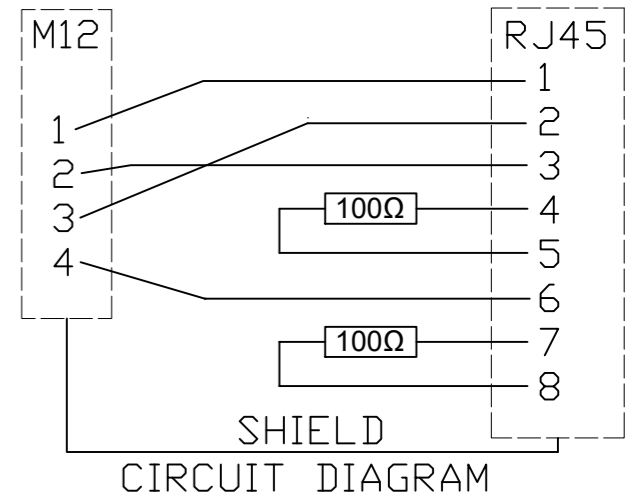
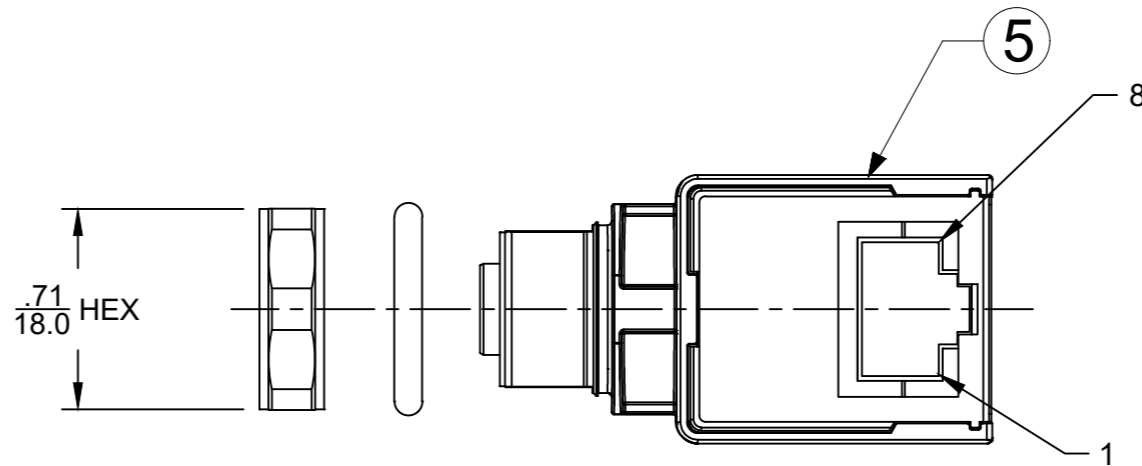


RECOMMENDED
PANEL CUT-OUT



NOTES:

- 1) MATERIAL: SEE TABLE
- 2) FINISHES: SEE TABLE
- 3) ELECTRICAL DATA: CAT 5E
- 4) ENVIRONMENTAL:
PROTECTION: M12 - IP65/IP67
RJ45 - IP20
TEMPERATURE: -5°C TO +60°C
- 5) ASSEMBLY IS RoHS COMPLIANT.



ITEM	DESCRIPTION	MATERIAL	FINISH
5	BODY	NYLON	BLACK
4	SOCKET CONTACT	COPPER ALLOY	GOLD PLATED
3	OUTER O-RING	NITRILE	GREEN
2	INSERT, D-CODE	NYLON	GRAY
1	SHELL	BRASS	NICKEL

FUNCTIONAL SYMBOLS F=0 E=0 P=0	THIS DRAWING CONTAINS INFORMATION THAT IS PROPRIETARY TO MOLEX ELECTRONIC TECHNOLOGIES, LLC AND SHOULD NOT BE USED WITHOUT WRITTEN PERMISSION		CURRENT REV DESC: UPDATE DIMS	
	DIMENSION UNITS	SCALE	EC NO: 640233	
	INCH/MM	NTS	DRWN: CCHRSTKA	2020/06/29
	GENERAL TOLERANCES (UNLESS SPECIFIED)		CHK'D: ALEON01	2020/07/01
DIVISIONAL SYMBOLS	4 PLACES	±----	APPR: BWOODMAN	2020/07/07
	3 PLACES	±----	INITIAL REVISION:	
	2 PLACES	±----	DRWN: VOU	2009/08/20
	1 PLACE	±----	APPR: JFMURPHY	2009/08/21
0 PLACES	±----	ANGULAR TOL ± ---- °		
DRAFT WHERE APPLICABLE MUST REMAIN WITHIN DIMENSIONS		THIRD ANGLE PROJECTION	DRAWING	SERIES
			B-SIZE	120109
DOCUMENT STATUS		RELEASE DATE	2020/07/07	15:47:20
P1				

molex

D-CODED ADAPTER 90D

4P FEM M12 TO FEM RJ45 BACK PANEL MOUNT M16X1.5

PRODUCT CUSTOMER DRAWING

DOCUMENT NUMBER	DOC TYPE	DOC PART	REVISION
SD-120109-010	PSD	001	C
MATERIAL NUMBER	CUSTOMER	SHEET NUMBER	
SEE TABLE	GENERAL MARKET	1 OF 1	