

MATERIAL SPECIFICATIONS:
 Housing: LCP, UL-94V-0 rated
 Contacts: Phosphor bronze, Tin plated

ELECTRICAL SPECIFICATIONS:
 Rated current: UL = 9A / 18AWG, 7A / 20 - 24AWG
 cUL = 6A / 18AWG, 4A / 20 - 24AWG
 IEC/EN = 5 Amps max.
 Rated voltage: UL/cUL = 600V IEC/EN = 450V

MECHANICAL SPECIFICATIONS:
 Applicable wire: 0.2 ~ 0.75mm² solid
 24-18 AWG solid, prebond or topcoated stranded
 Wire strip length: 7-8mm
 Connection type: Cage clamp
 Wire release: with tool
 Solder temperature: 270°C max.

ENVIRONMENTAL SPECIFICATIONS:
 Operating Temperature: -40°C ~ +105°C



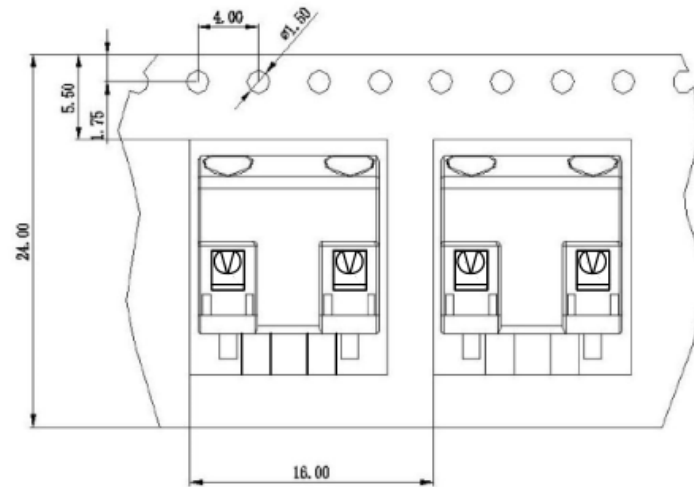
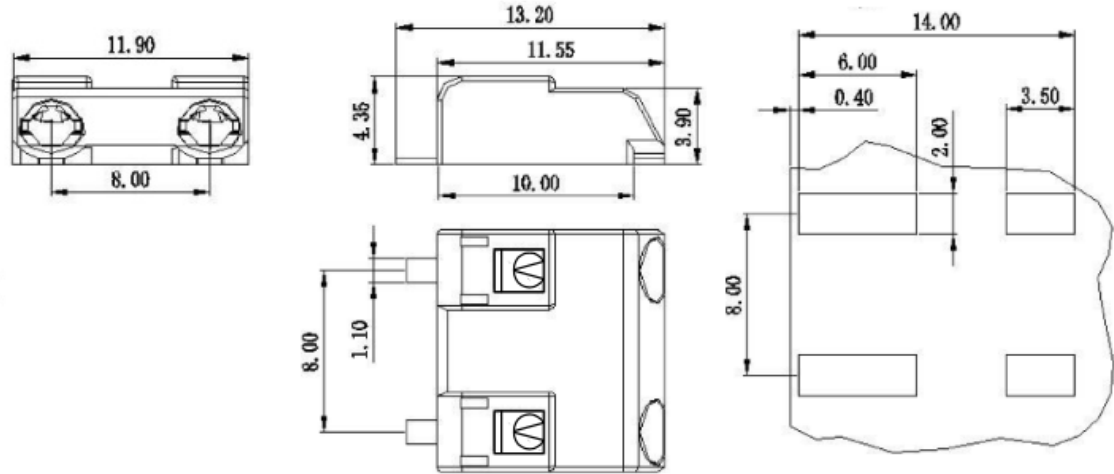
SAFETY AGENCY APPROVALS:

STANDARDS: UL1977 / CSA-C22.2 No. 182.3

STANDARDS: IEC/EN 60998-1:2004 / 60998-2-2:2004

PACKAGING:

Tape & Reel; 800 pcs per reel



REVISIONS	CHANGE	CHK	CHK	APPR
REV	DATE			

TOLERANCE UNLESS OTHERWISE SPECIFIED	
X	± 1
X.X	± 0.4
X.XX	± 0.13
DRAWN BY	PB
CHECK BY	
APPR BY	
DATE:	1/24/18
DATE:	
DATE:	

Power Dynamics, Inc.	
Phone: 973 560-0019 Whippany, New Jersey Fax: 973 560-0076	
PART: 8mm PITCH SMT TERMINAL BLOCK TWO POLE; FOR LED APPLICATIONS	
PD-LTB8-2P	
MC: B07-8.0	ALL DIMENSIONS FOR REFERENCE ONLY DIMENSIONS ARE IN MILLIMETERS
SCALE: NTS	REV:

SHEET 1 of 1